

Originally Designed by: Frans Snik (Leiden University)
Updated by: Harry Addison (University of Surrey)
Johan Richard (CRAL)

Buying Lego

There are multiple websites that make buying Lego easy. Below are two examples with how you can purchase the parts required for our 4MOST models.

- [Lego Pick-a-Brick](#)

The official Lego website has a shop (Pick-a-Brick) where you can buy new lego parts.

It allows you to upload a parts list and it will find the available parts that you can then purchase. Note that some parts may not be available for purchase.

Instructions:

- Go to [Lego Pick-a-Brick](#)
- Click “Upload List”
- Upload the csv parts list provided on the 4MOST website: [4MOST Lego Models](#)
- Click “View All Pieces”
- View the pieces and select which ones you want to purchase

- [Bricklink](#)

Lego also owns Bricklink, a marketplace for independent sellers.

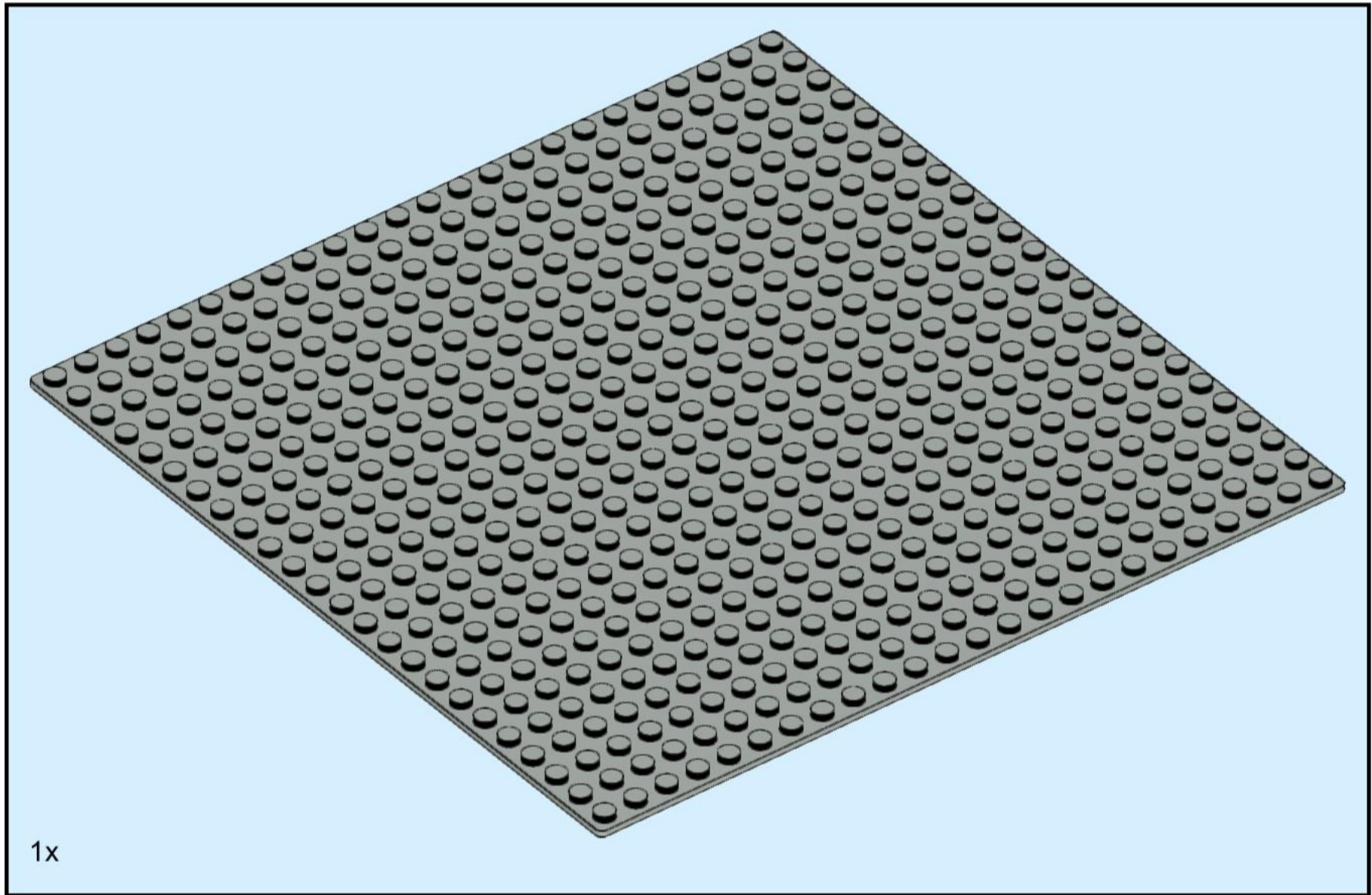
Here you can buy new and used Lego pieces. Similar to Pick-a-Brick, you can upload a parts list and it will find the available parts from different sellers.

Instructions:

- Go to [Bricklink](#)
- Login or create a new account
- In the top right menu (profile pic) go to "My Wanted Lists"
- Select the "Upload" tab
- Select the "Upload BrickLink XML Format" tab
- Select which wanted list you want to add the parts to or create a new list
- Copy the contents of the xml format parts lists provided on the 4MOST website: [4MOST Lego Models](#).
- "Proceed to verify items" and then "Add to Wanted List" (at the bottom of the page)
- Navigate to the created wanted list in "My Wanted Lists"
- Click "Buy All" or select which parts to buy and click "Buy X Selected"
- Choose sellers to buy from or auto select sellers

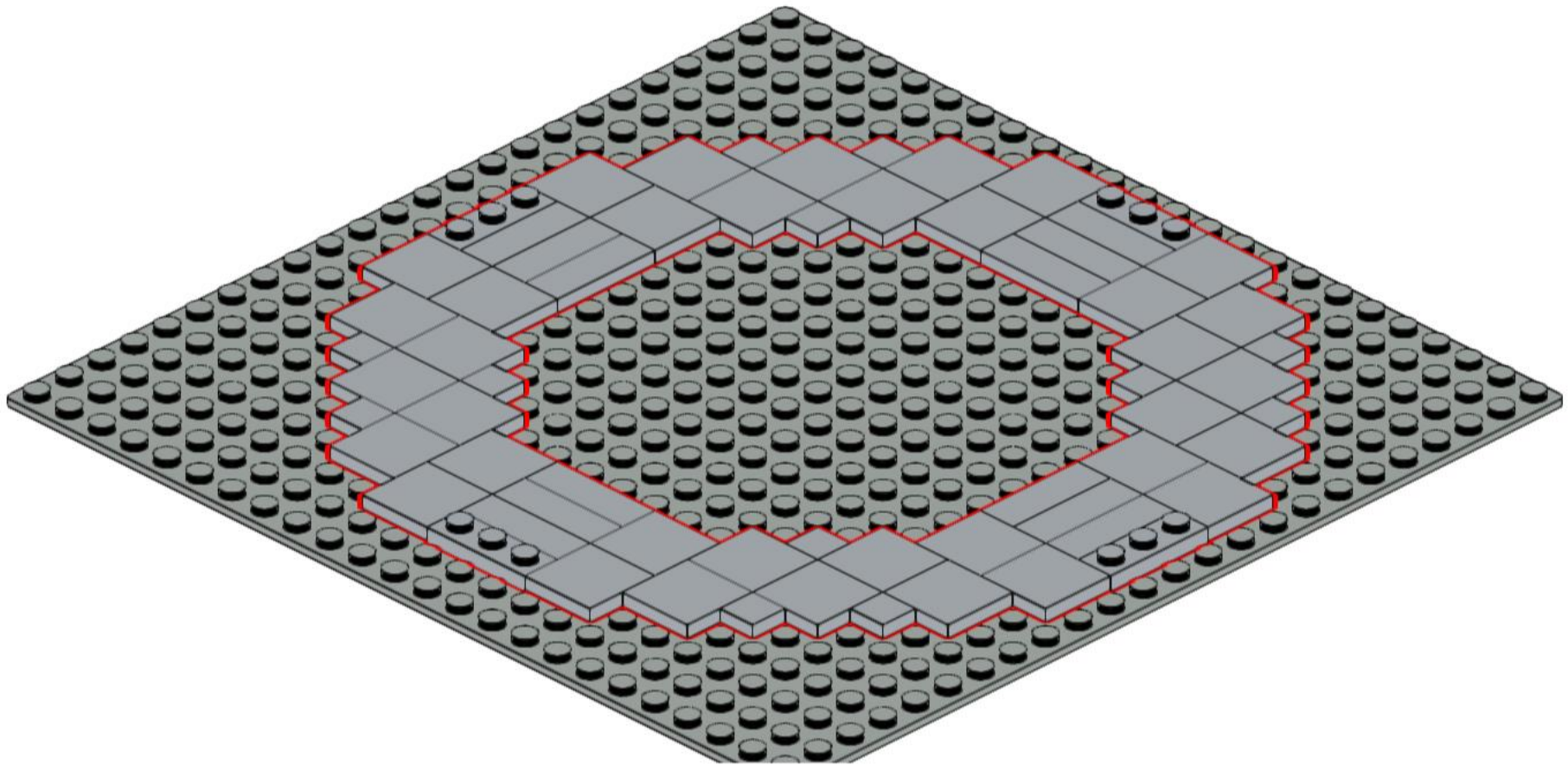
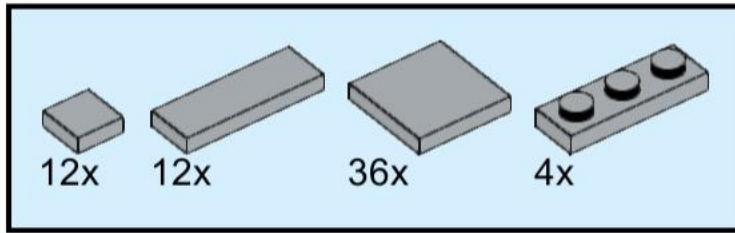
Dome Base Wall

1

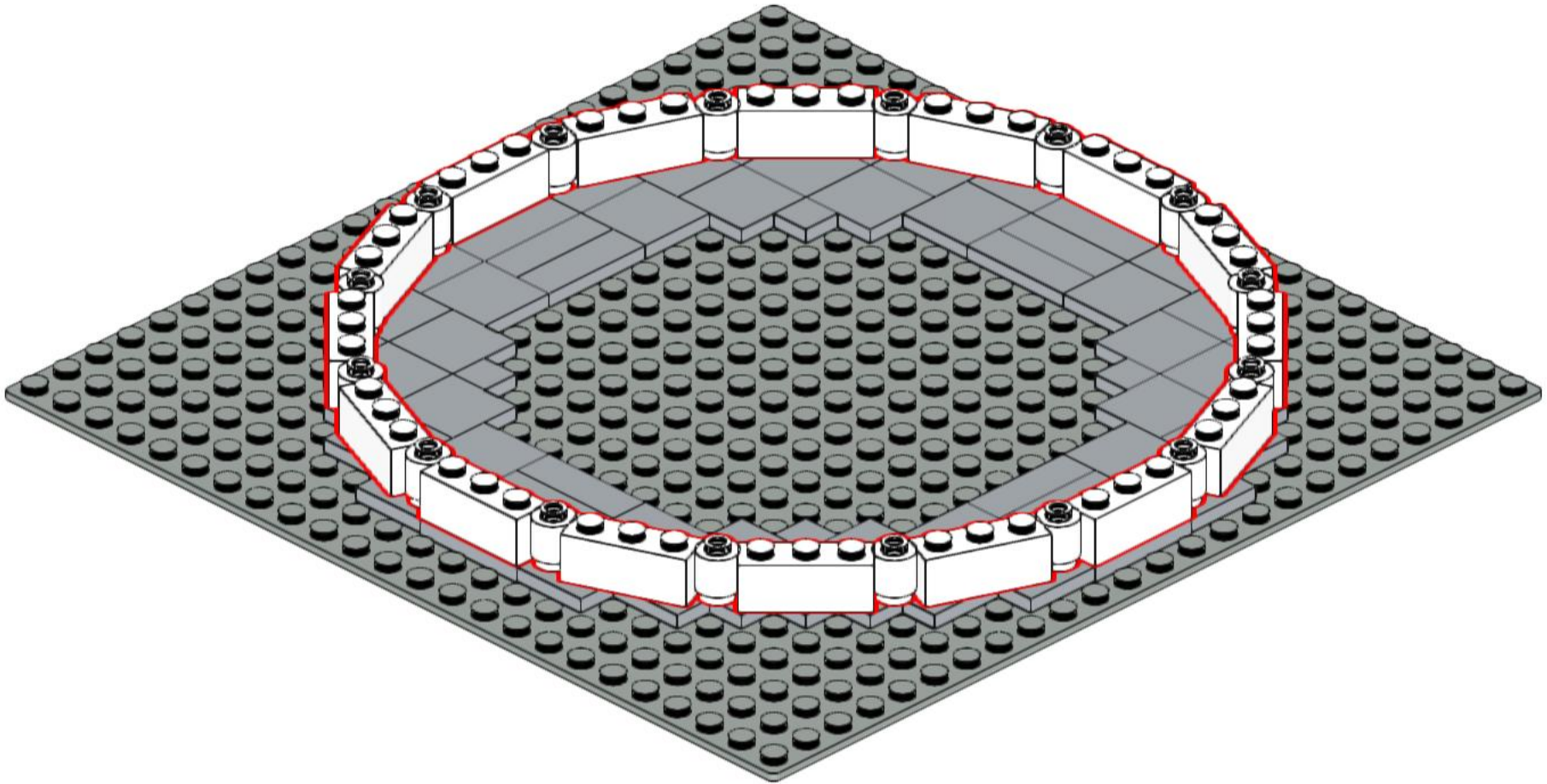
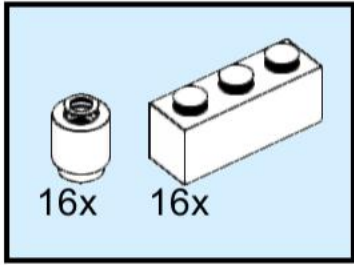


Minimum build plate size: 24 x 24

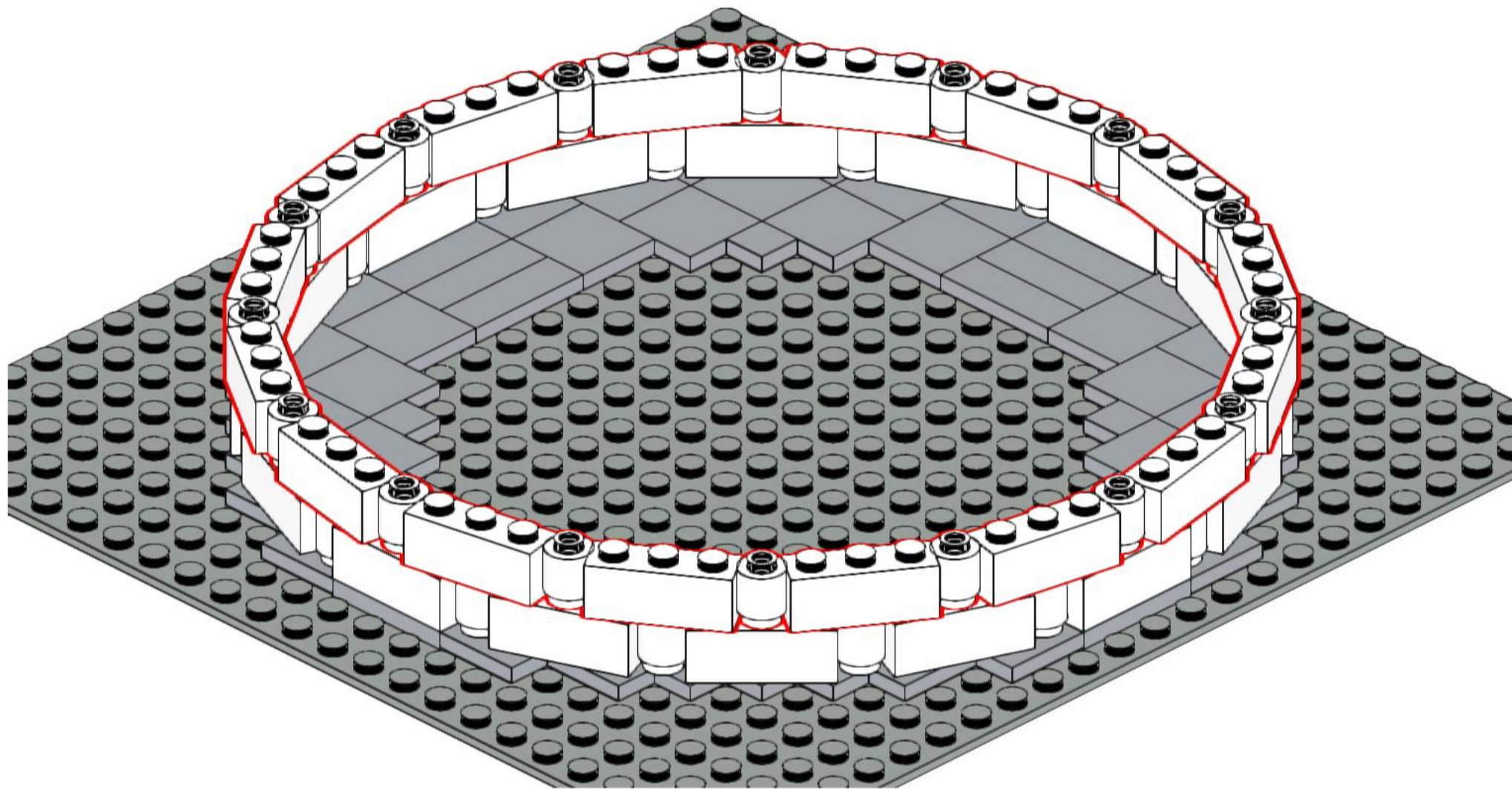
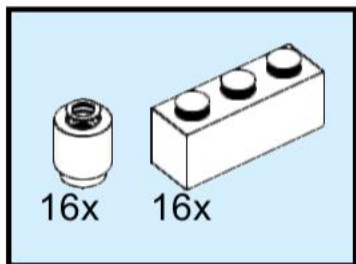
2



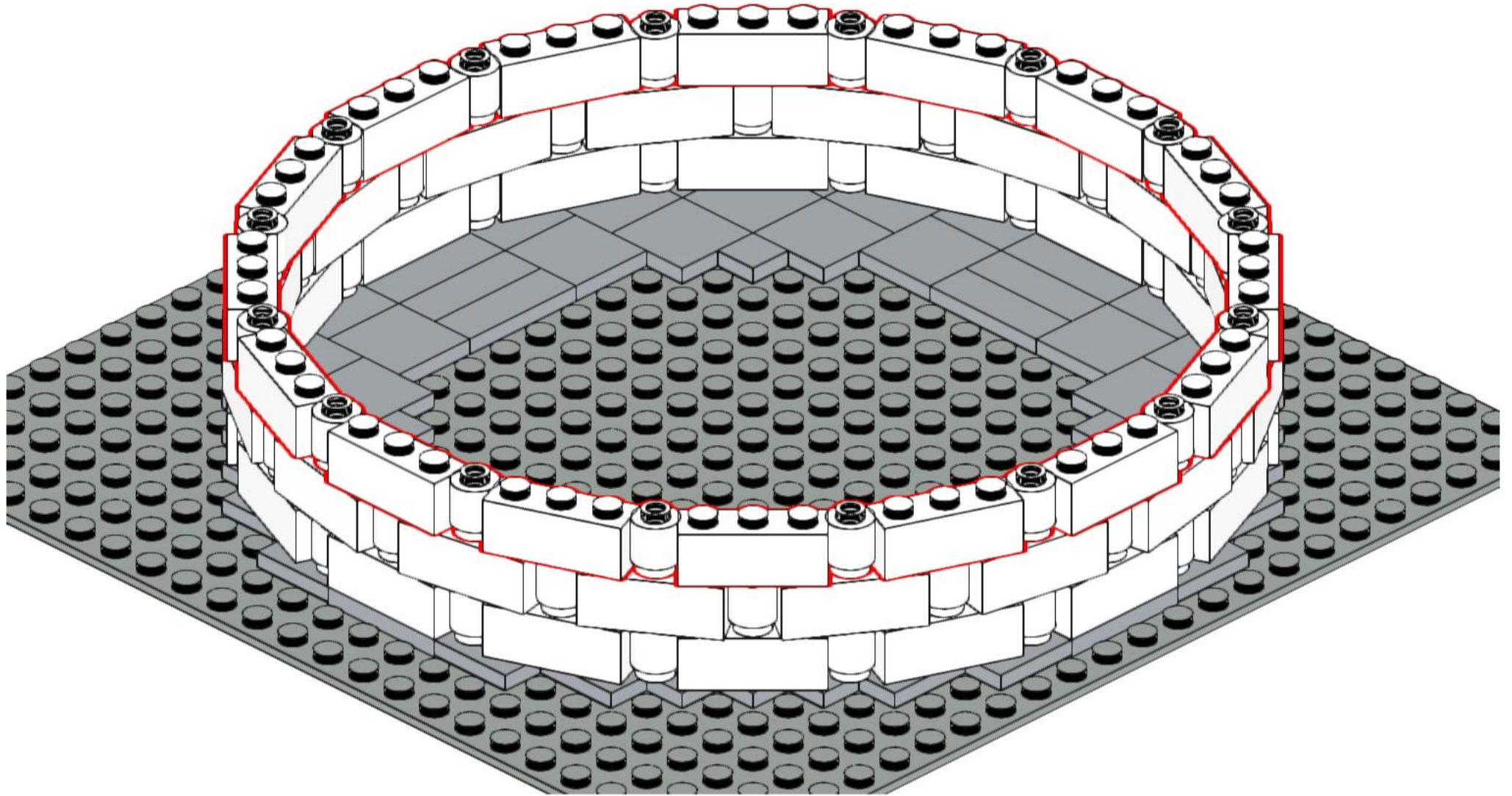
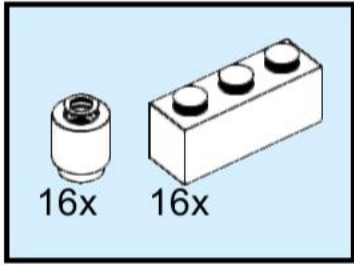
3



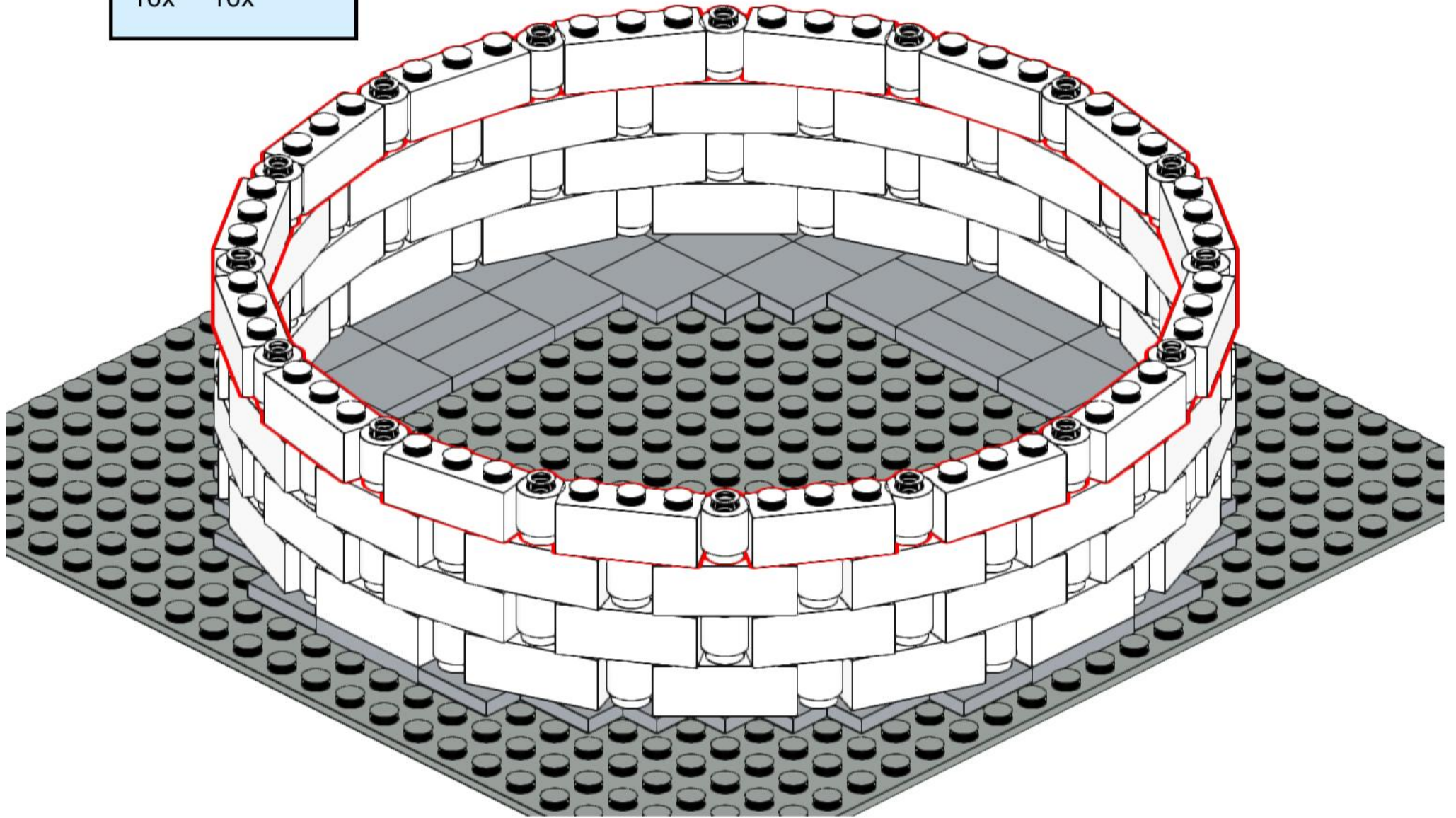
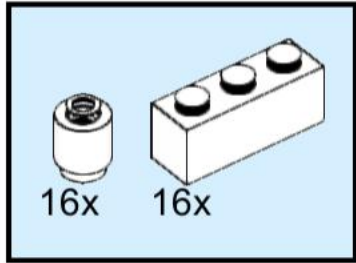
4



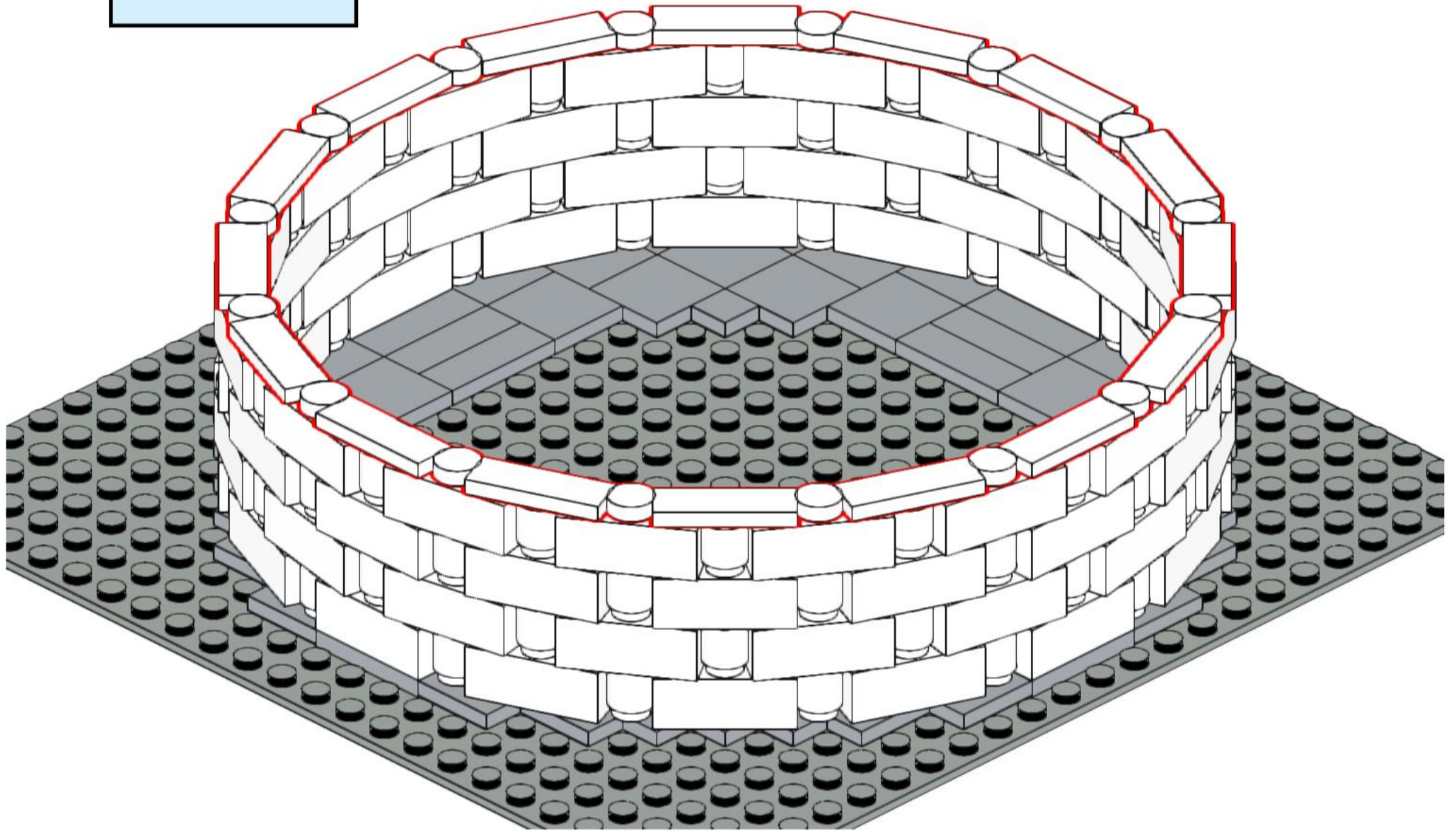
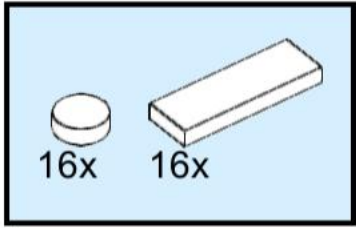
5



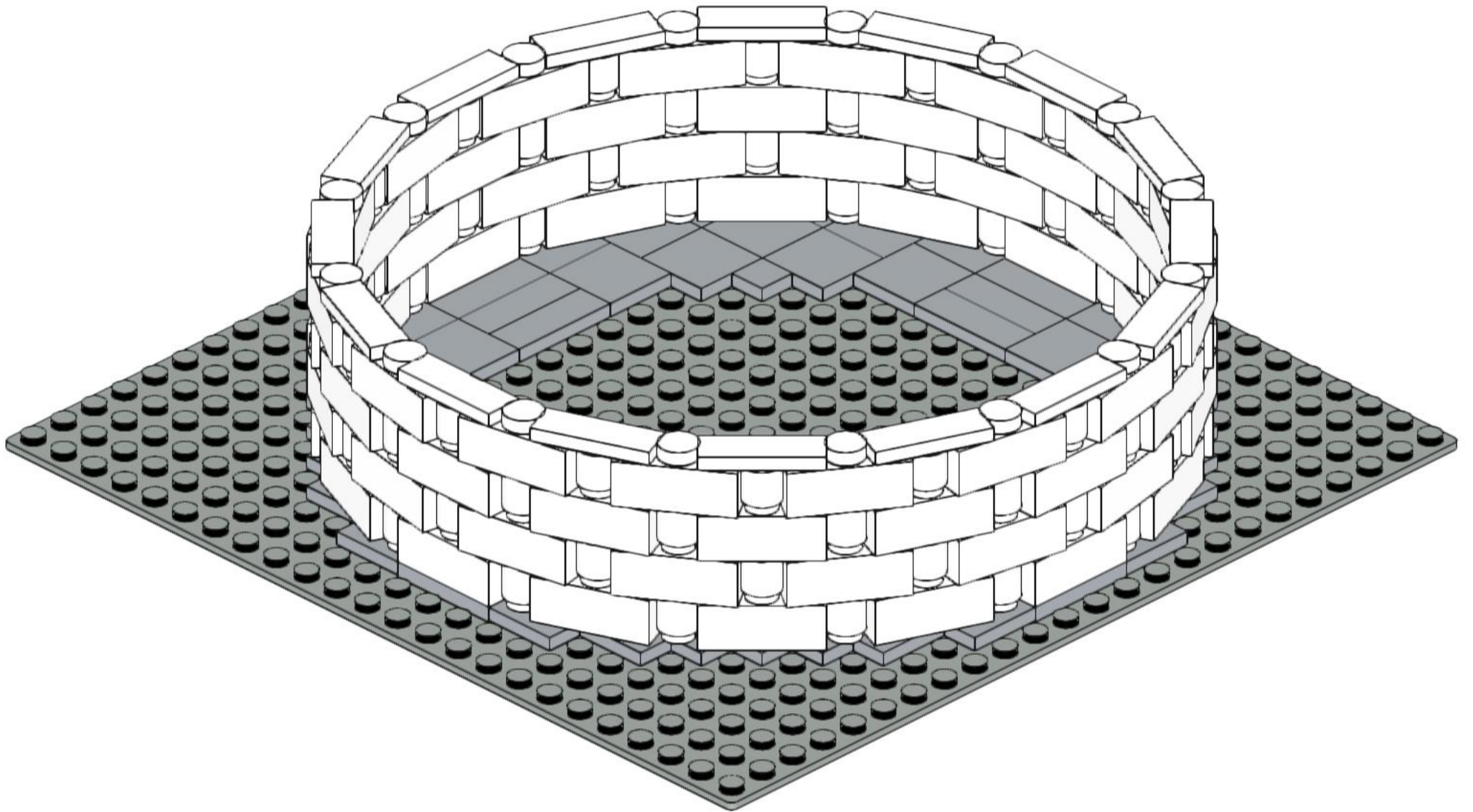
6



7

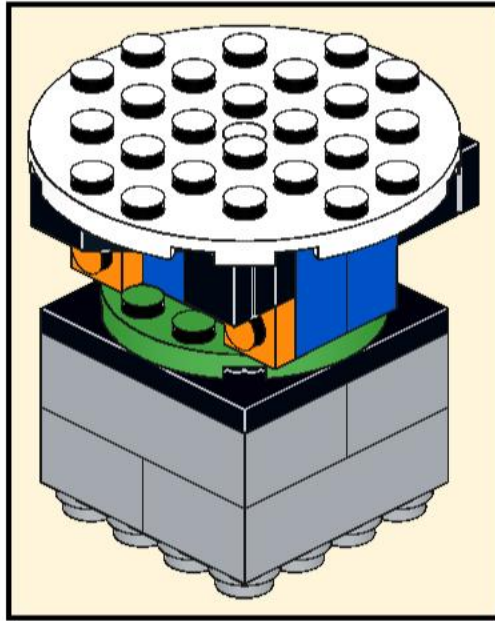


8

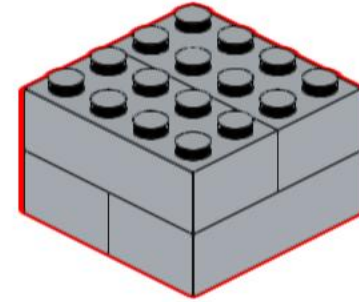
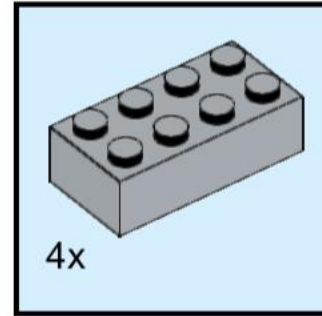


Telescope Column

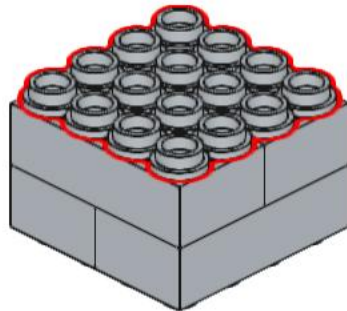
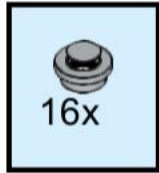
9



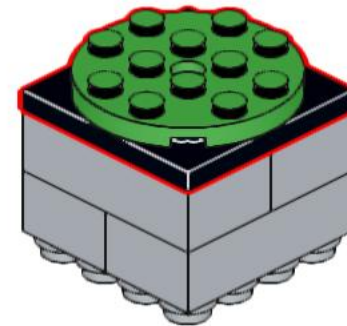
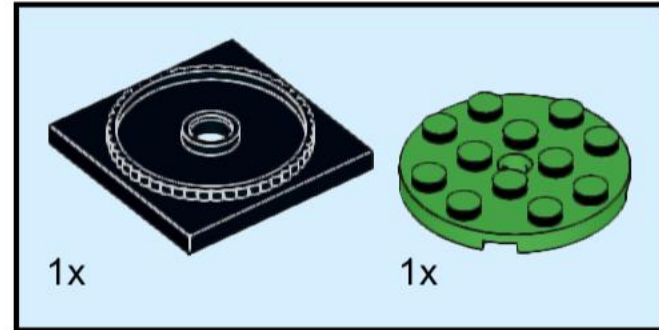
10



11

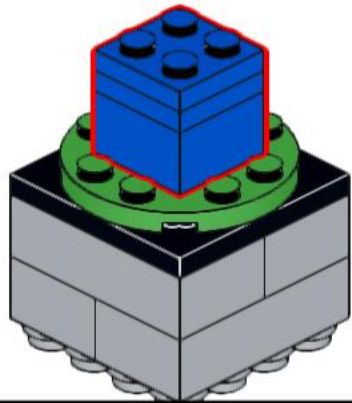
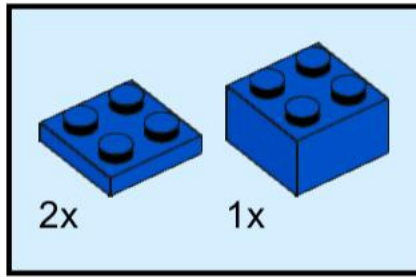


12

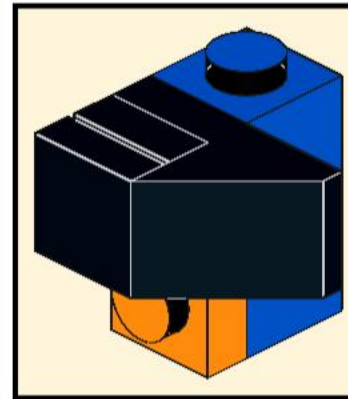
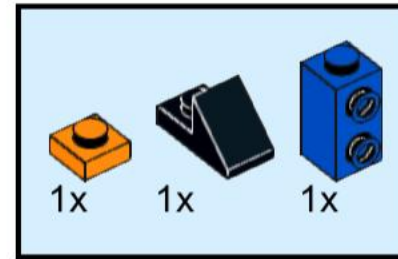


Low Resolution Spectrographs A and B

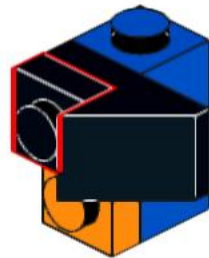
13



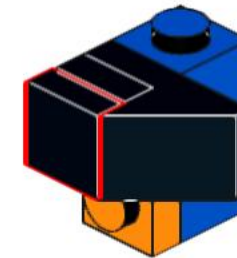
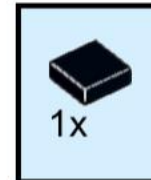
14



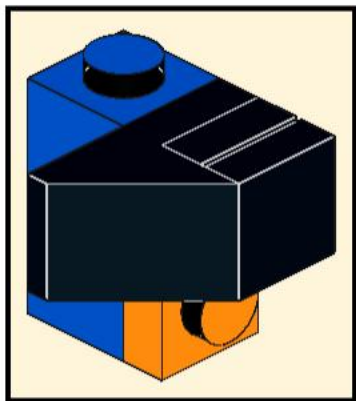
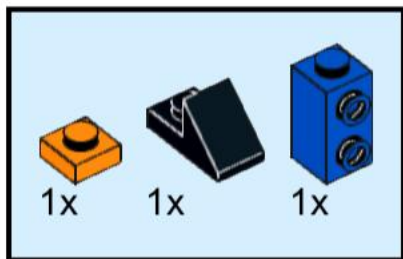
15



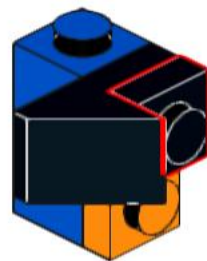
16



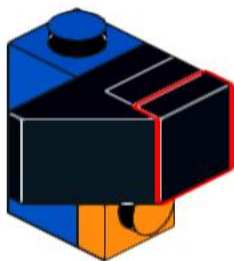
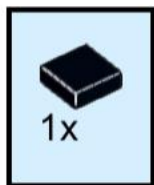
17



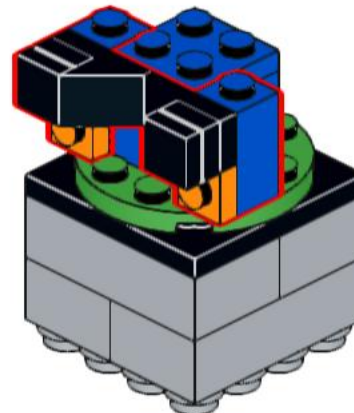
18



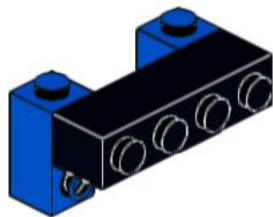
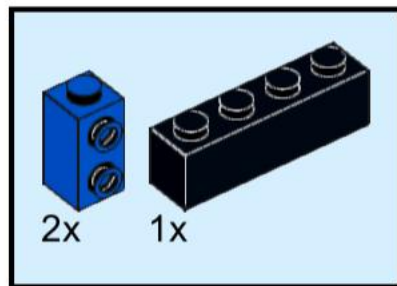
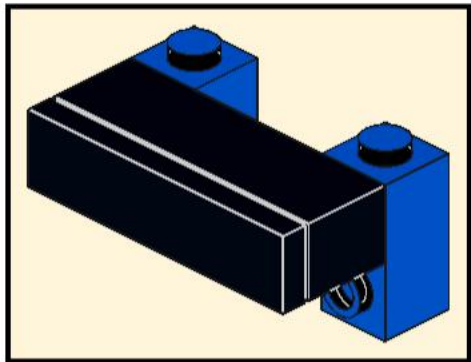
19



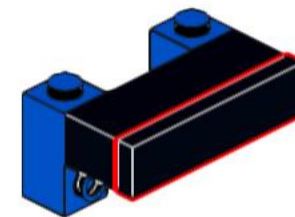
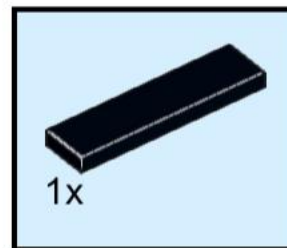
20



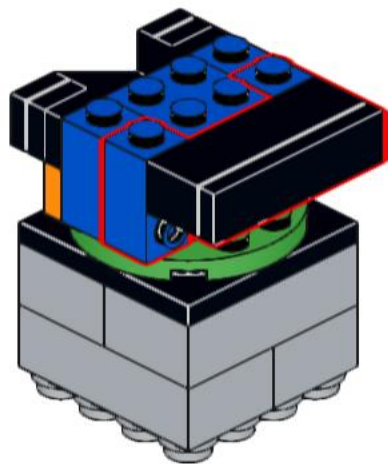
21



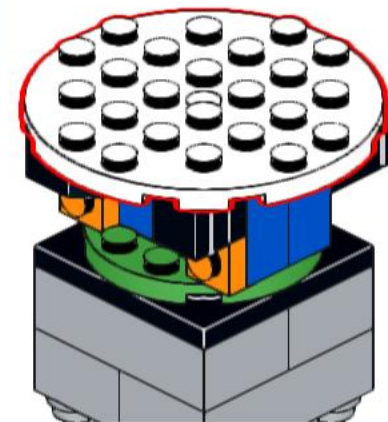
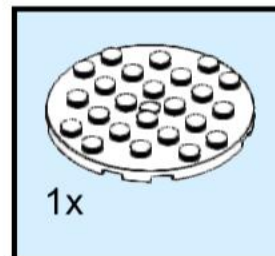
22



23

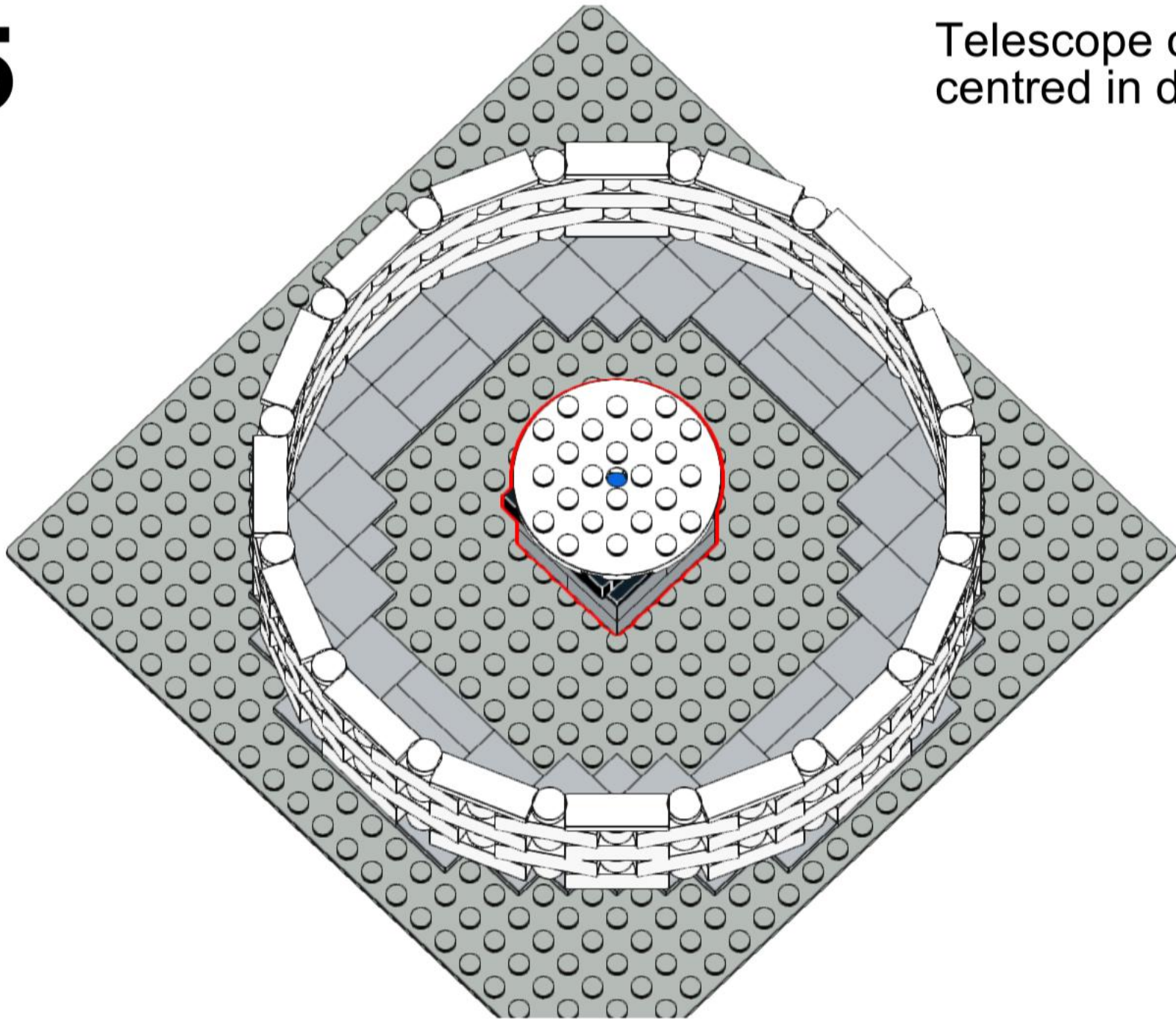


24



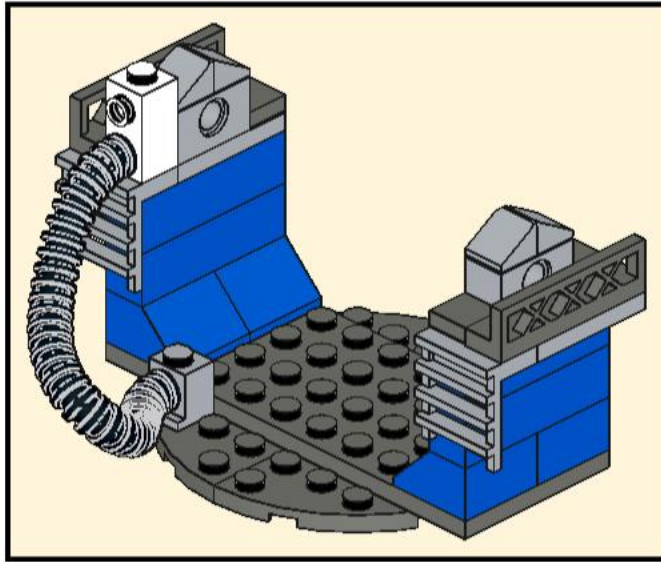
25

Telescope column is centred in dome wall

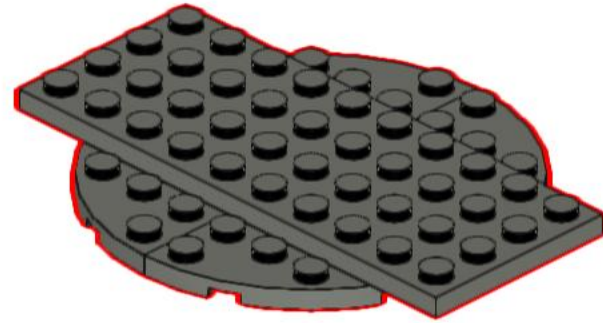
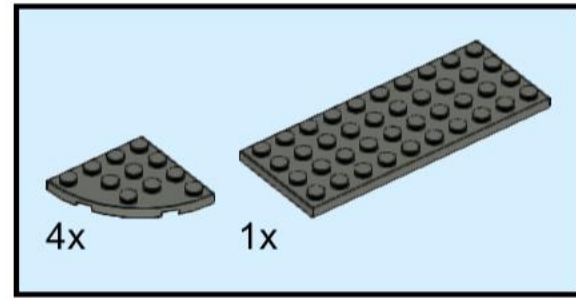


Telescope Mount

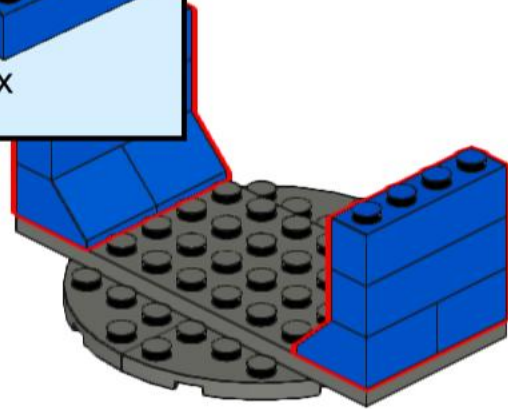
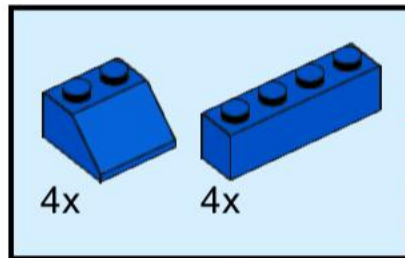
26



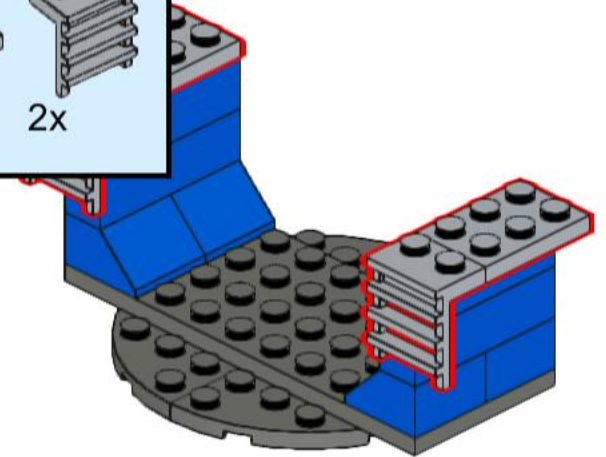
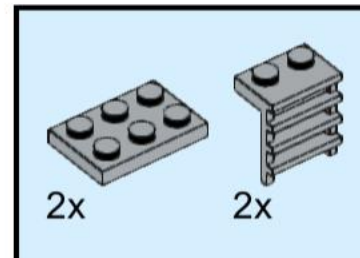
27



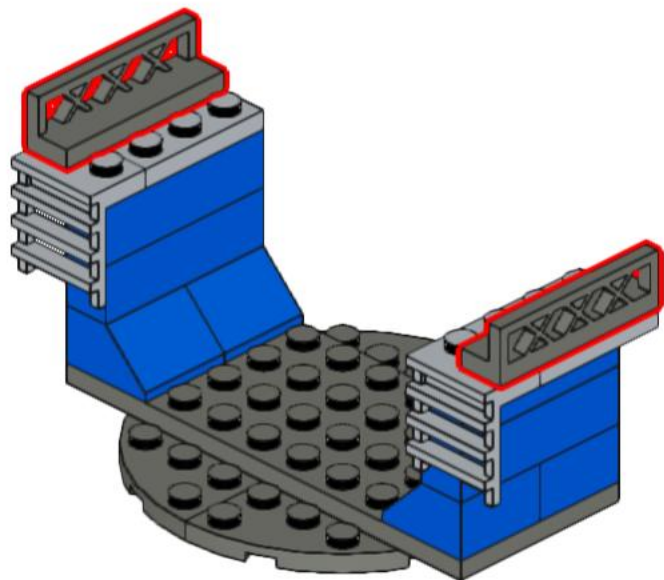
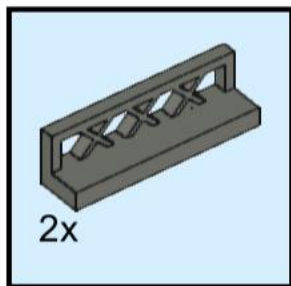
28



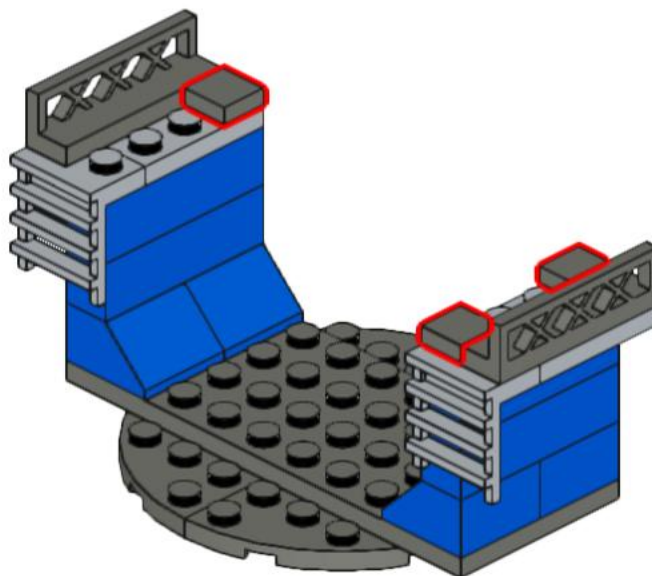
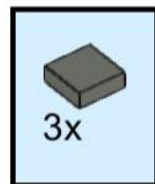
29



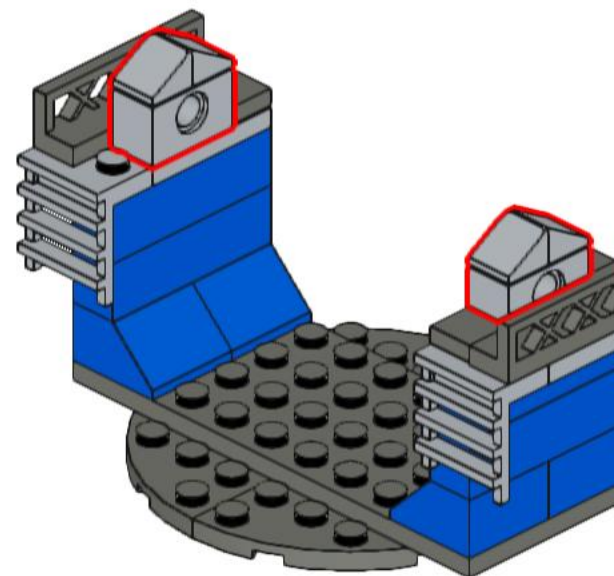
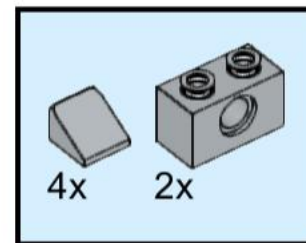
30



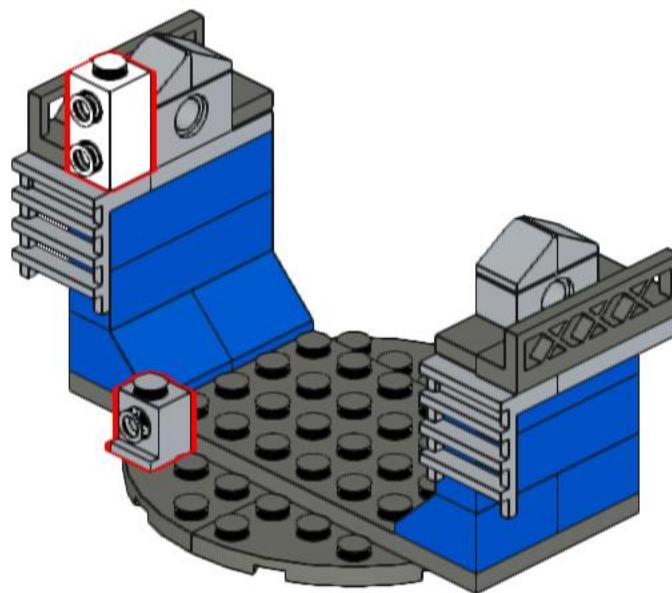
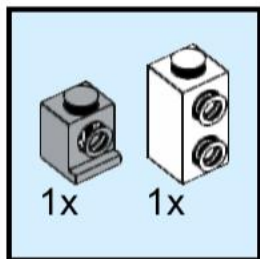
31



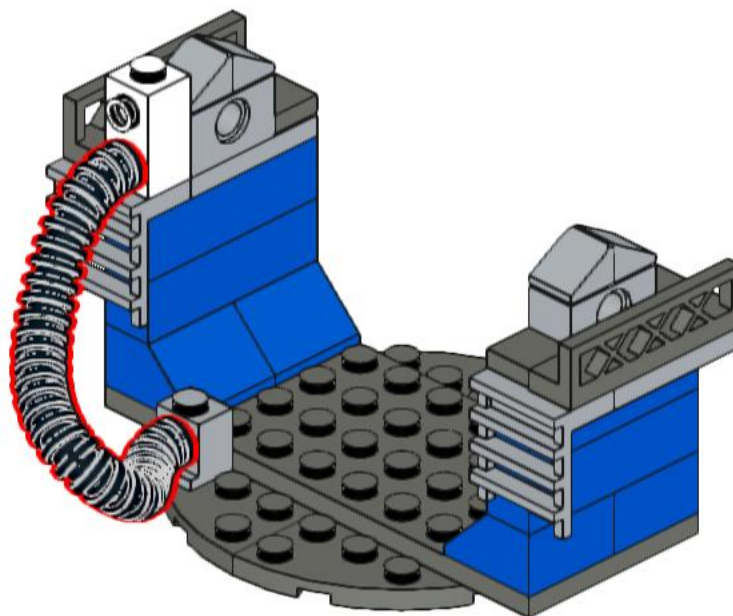
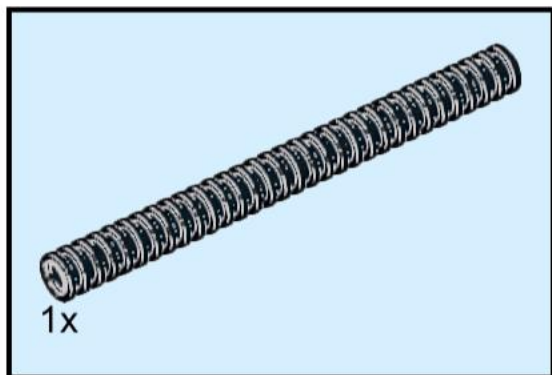
32



33

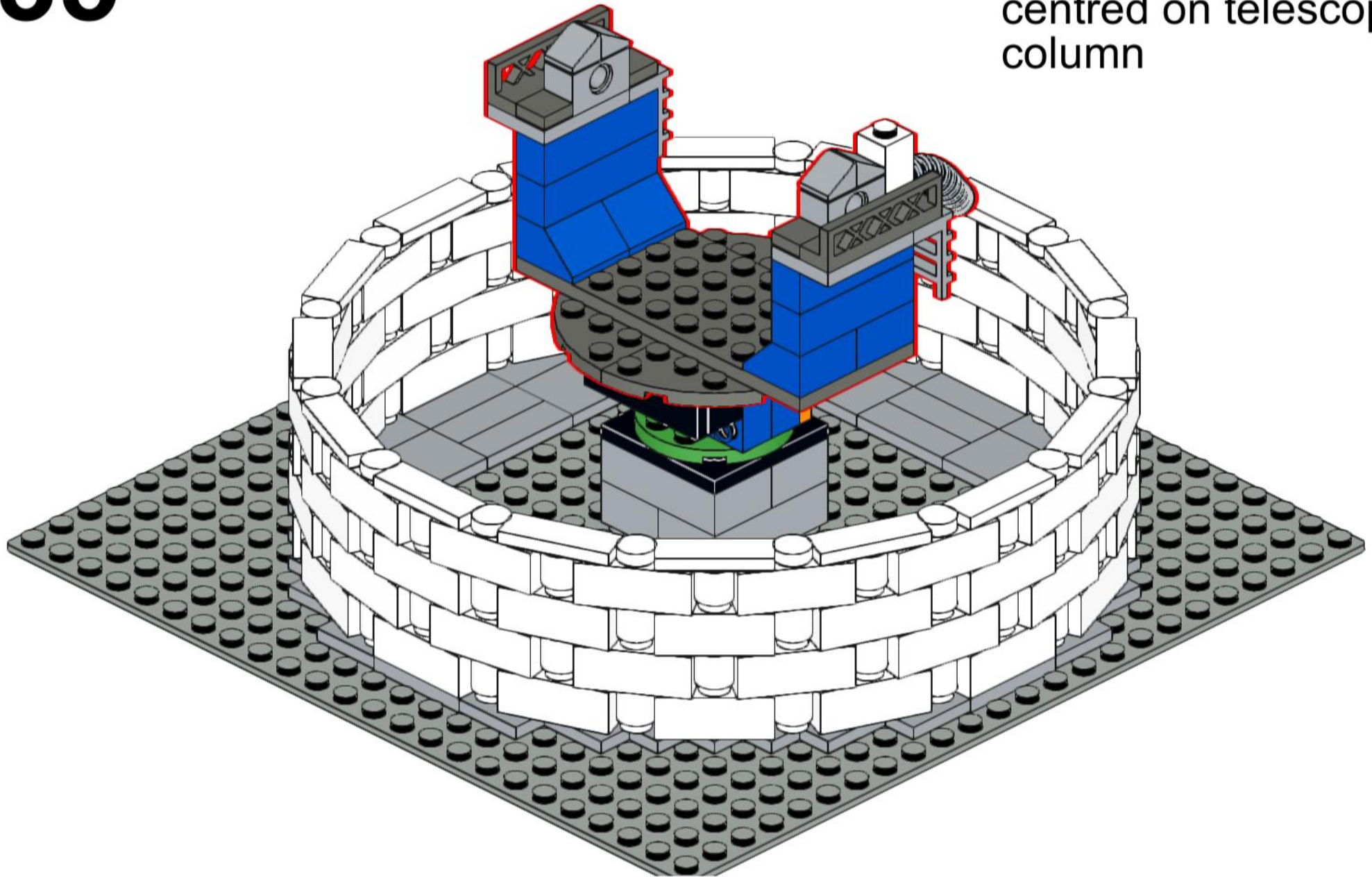


34



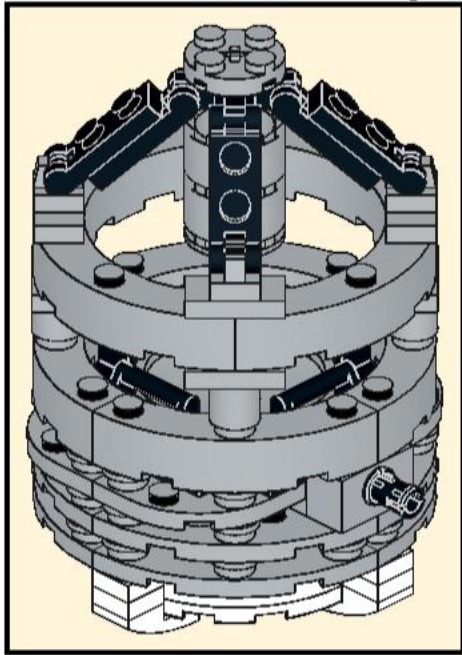
35

Telescope mount is centred on telescope column

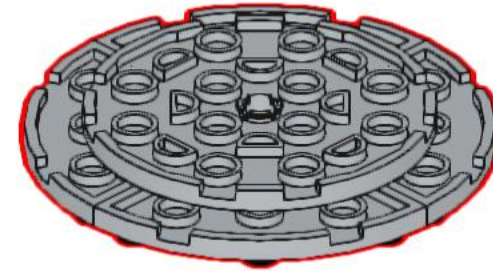
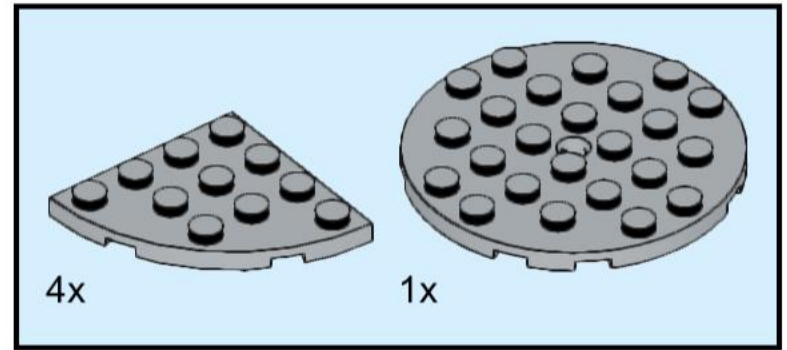


Telescope Mirrors and Mirror Structures

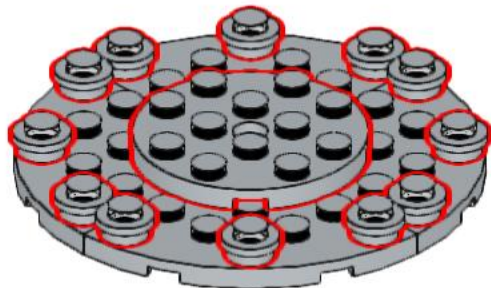
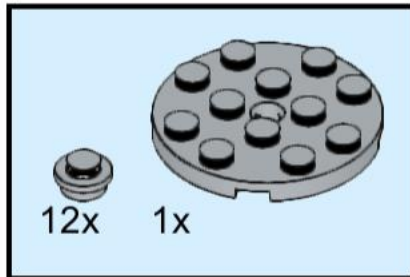
36



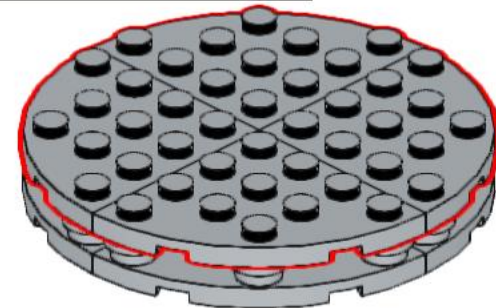
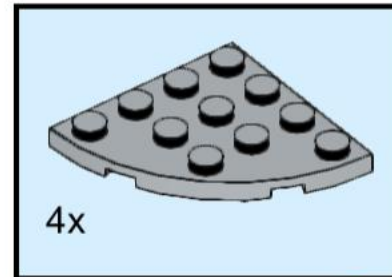
37



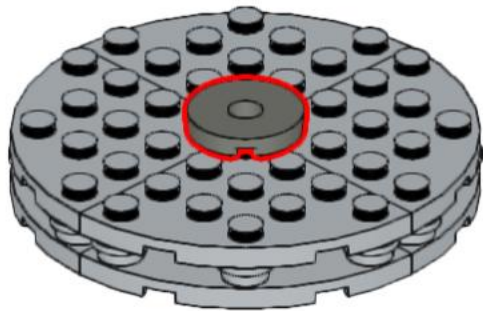
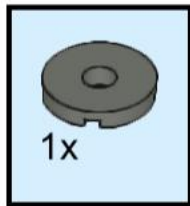
38



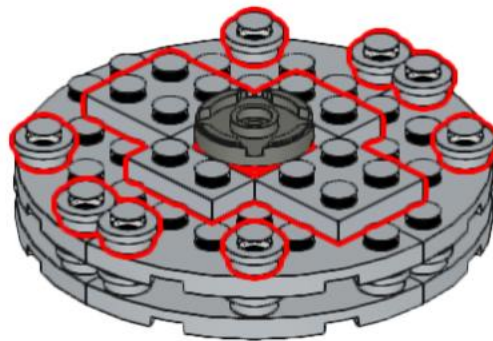
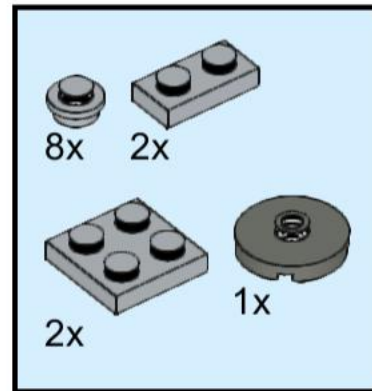
39



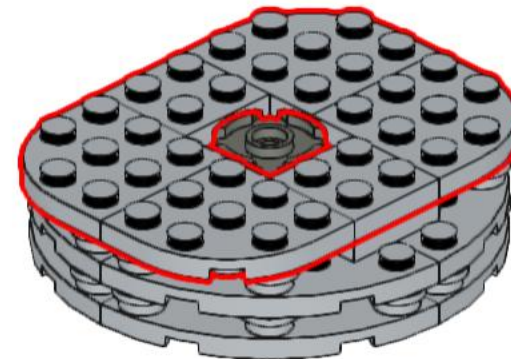
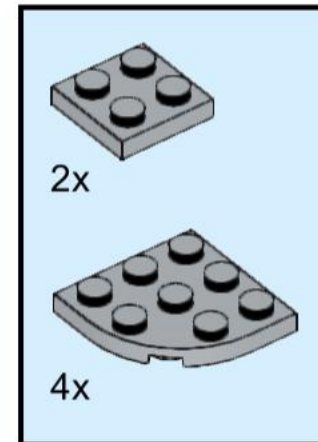
40



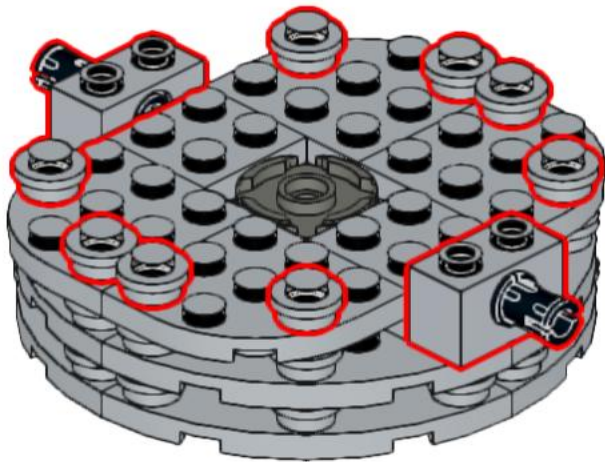
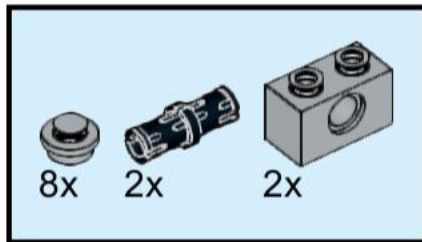
41



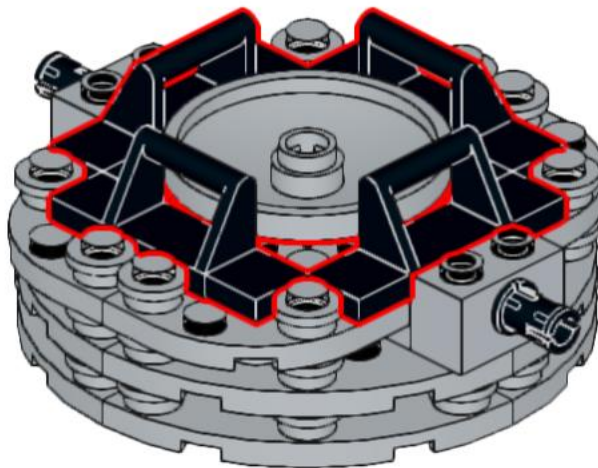
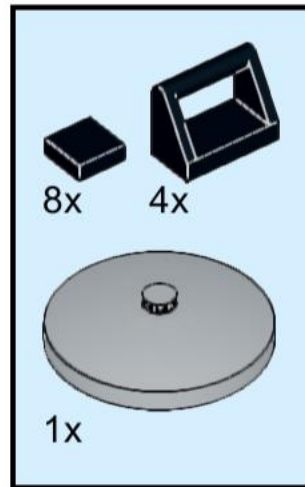
42



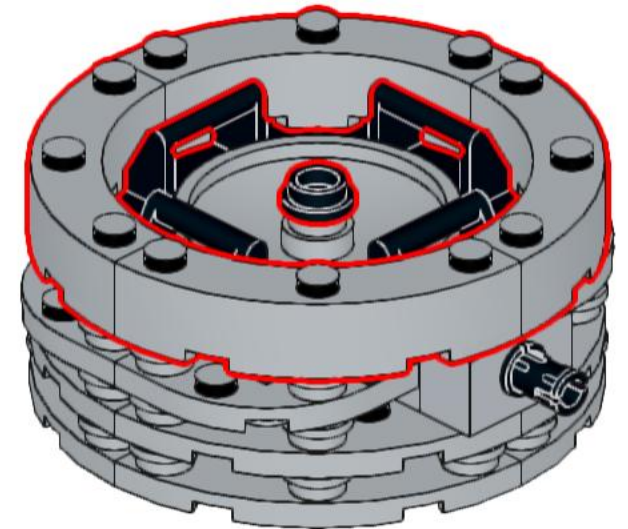
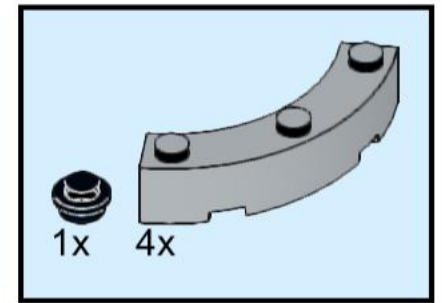
43



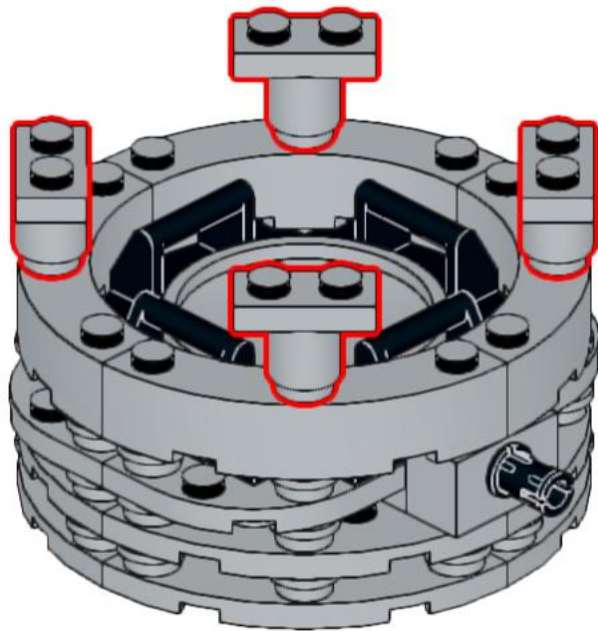
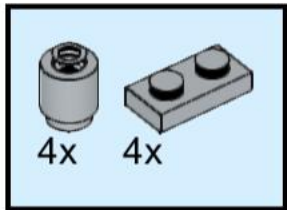
44



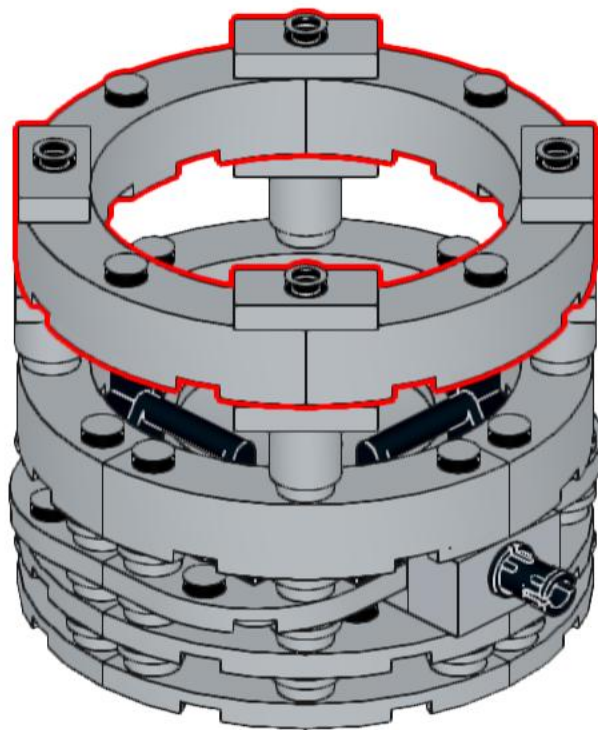
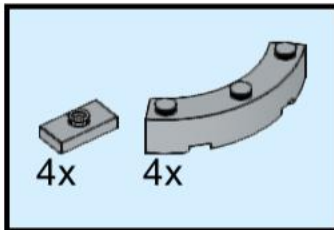
45



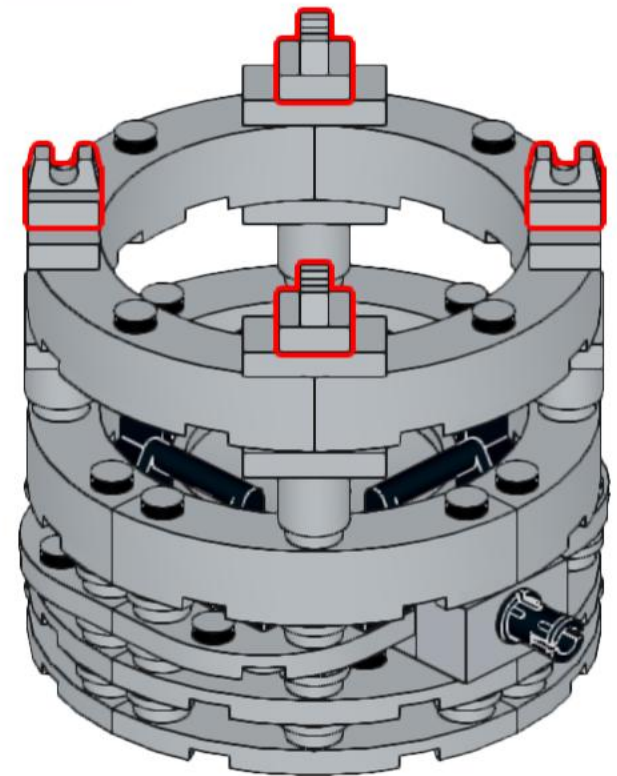
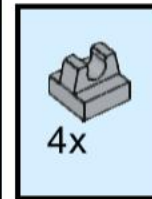
46



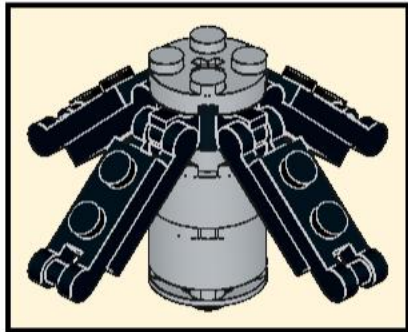
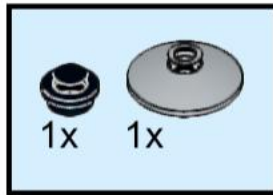
47



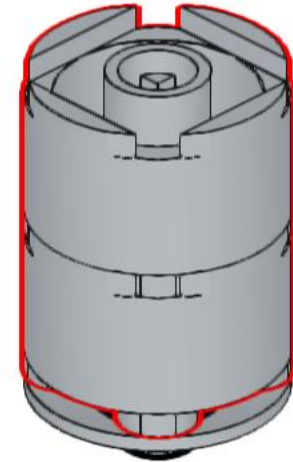
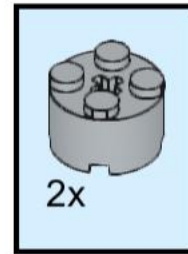
48



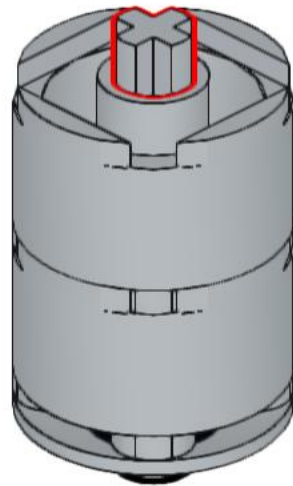
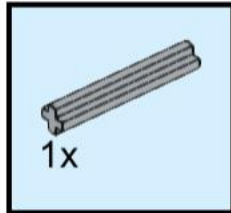
49



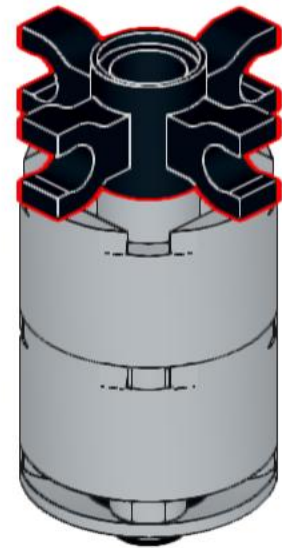
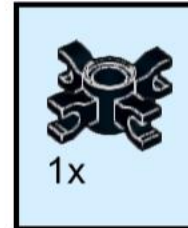
50



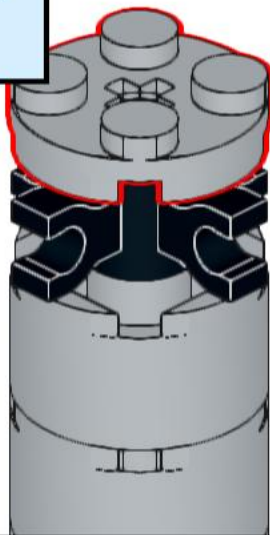
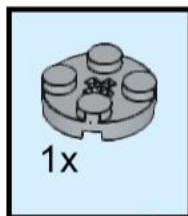
51



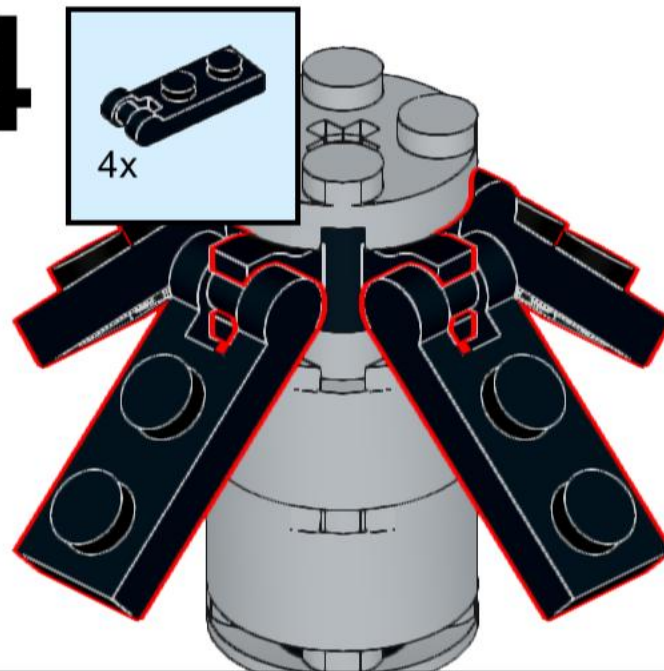
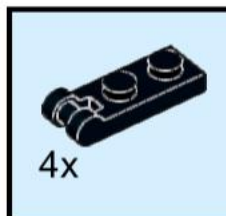
52



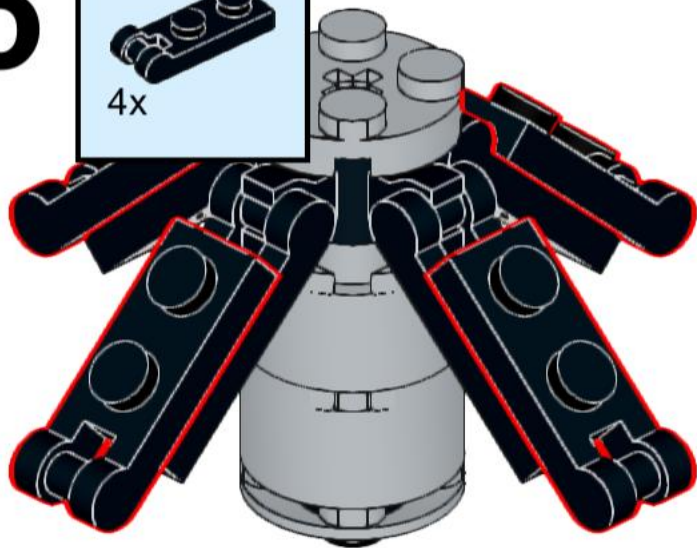
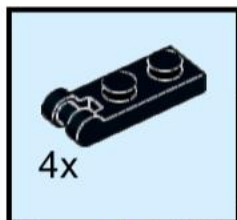
53



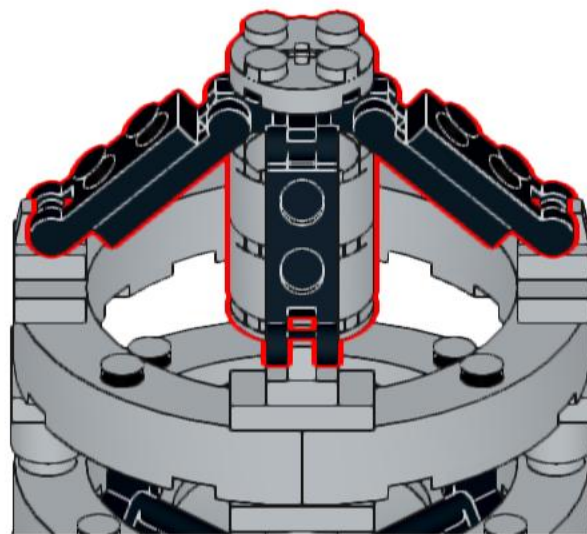
54



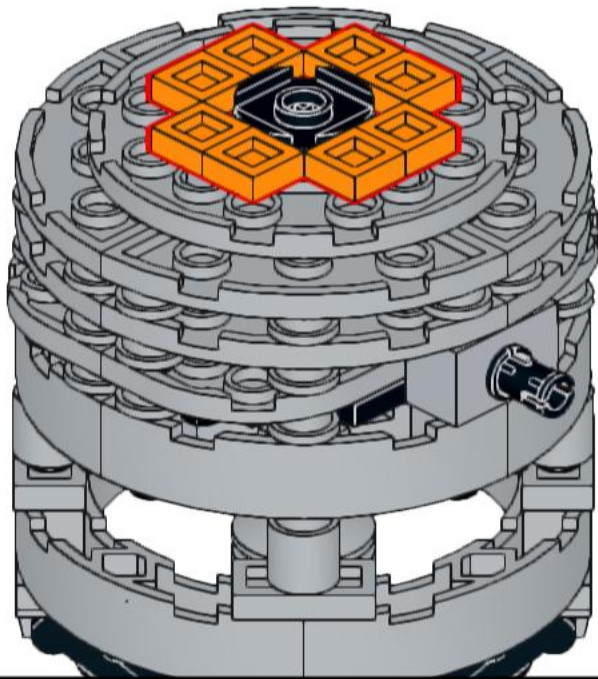
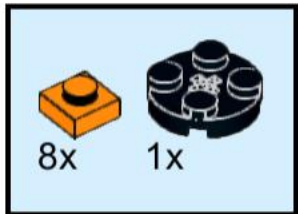
55



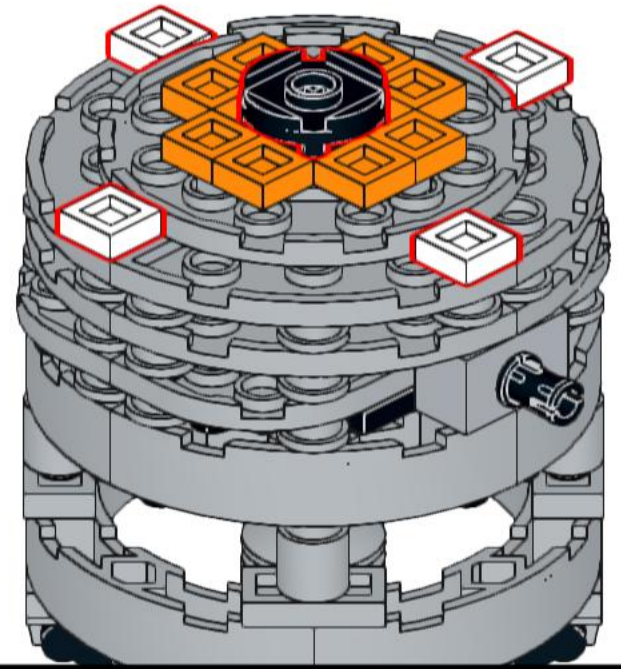
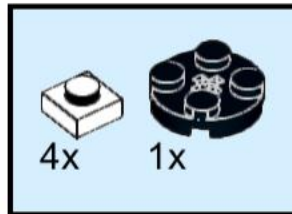
56



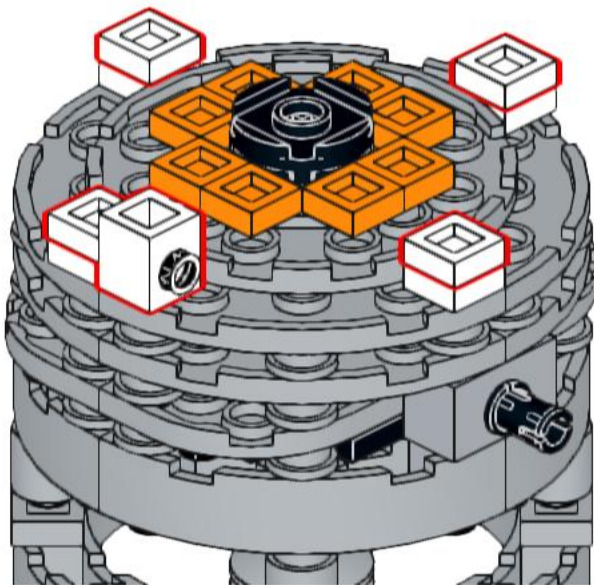
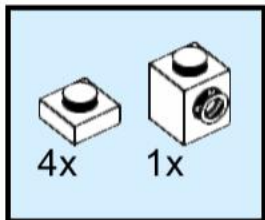
57



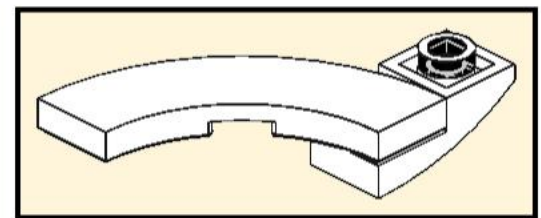
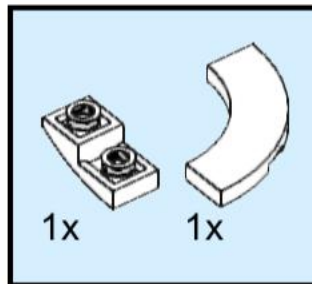
58



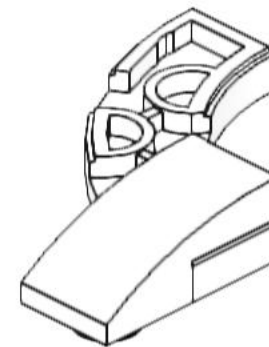
59



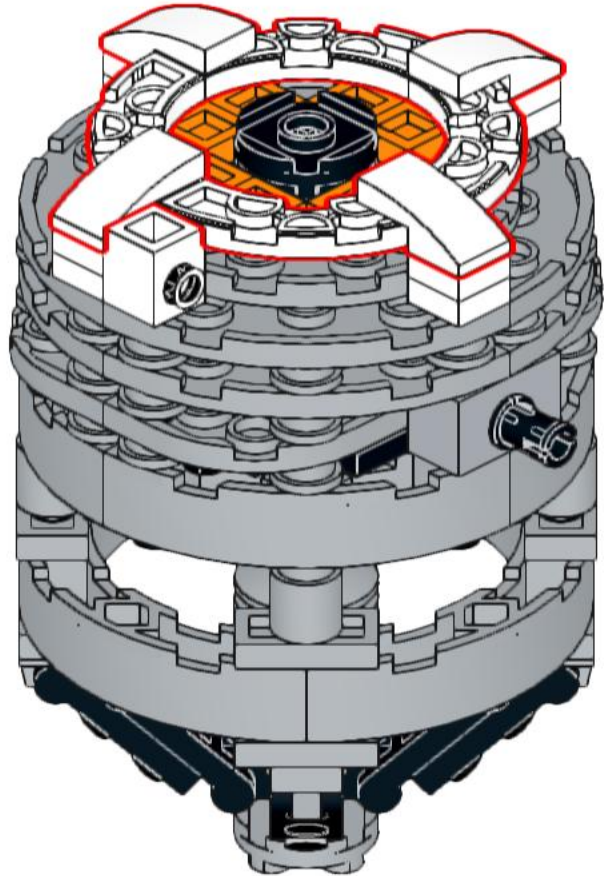
60



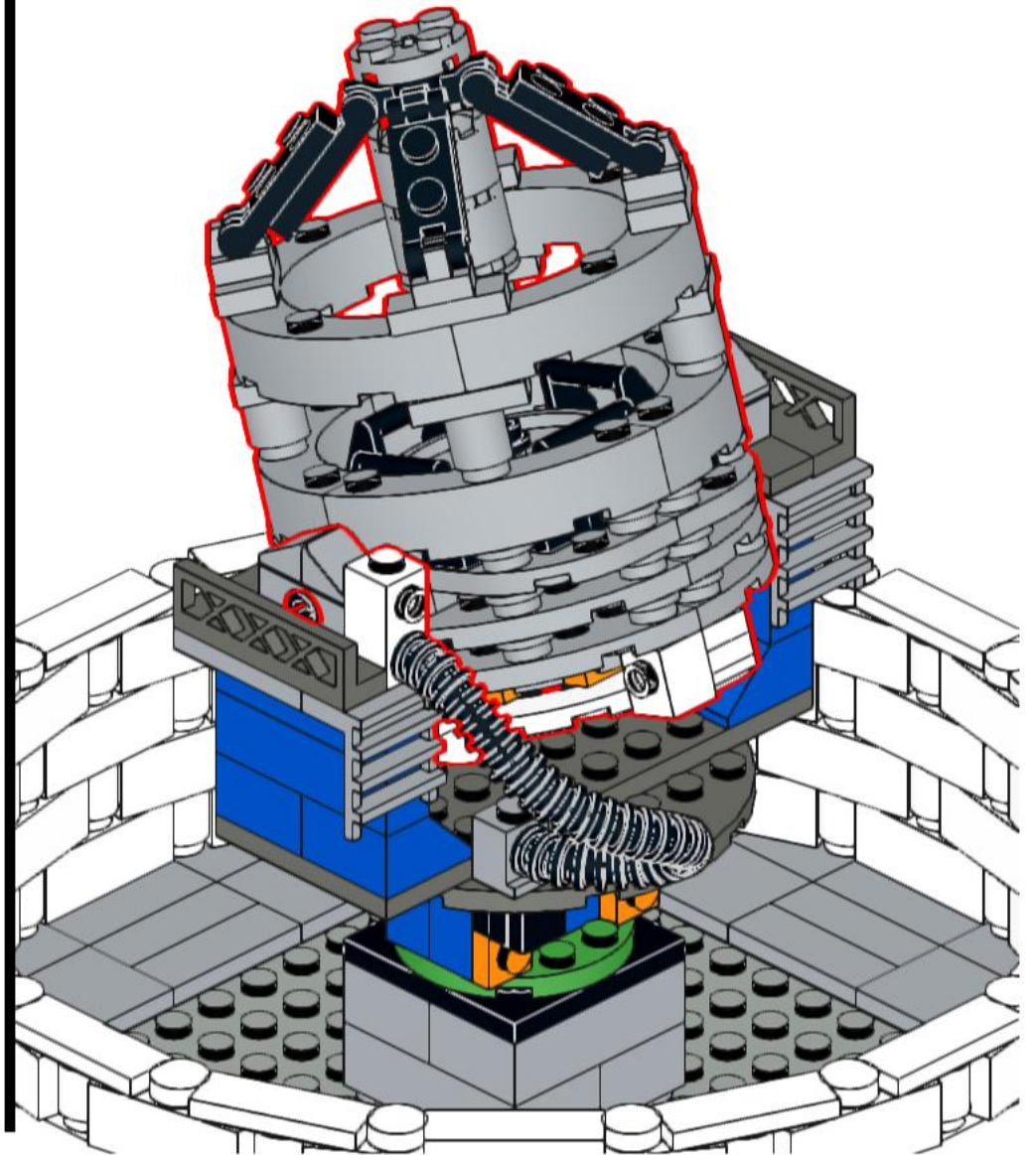
4x



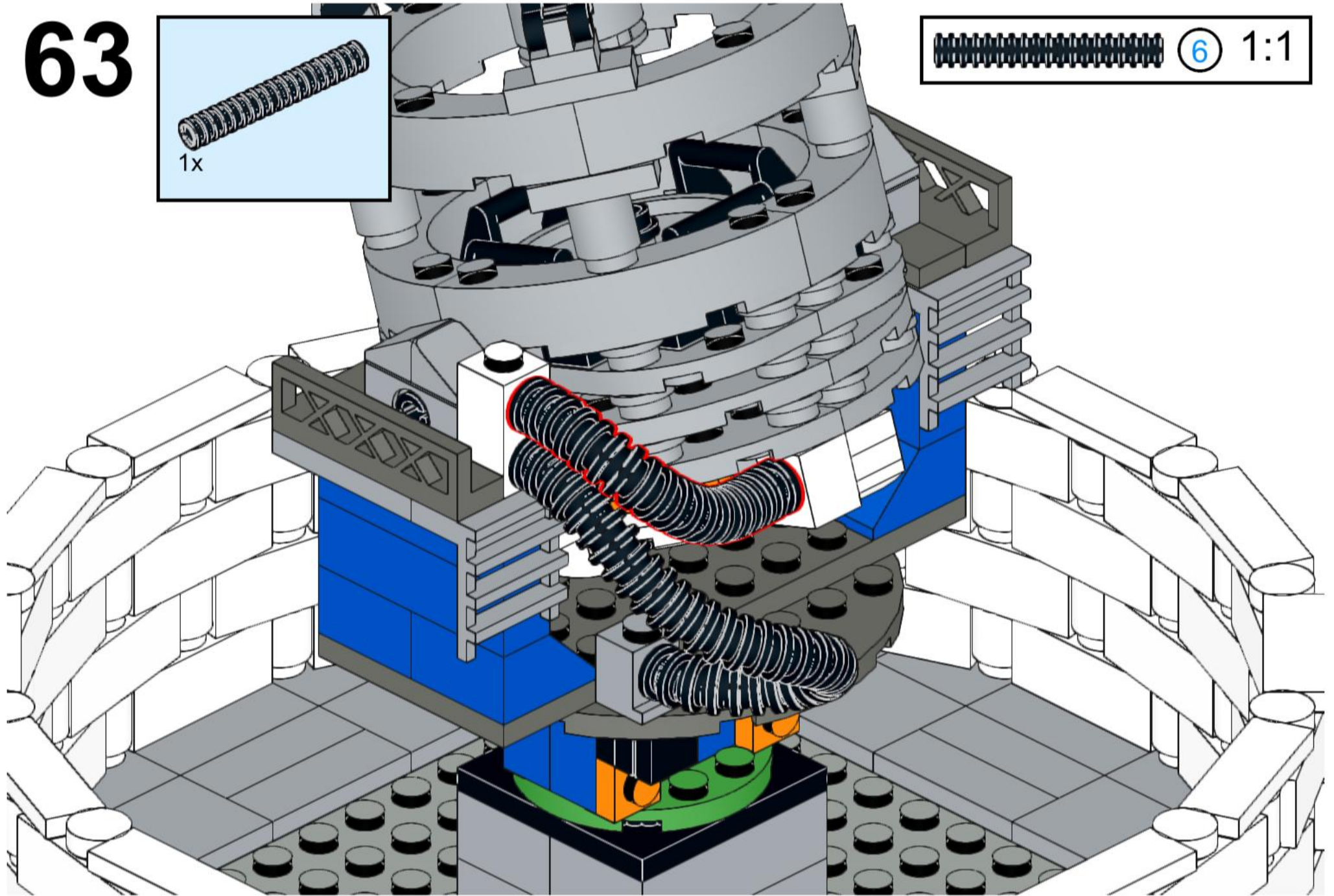
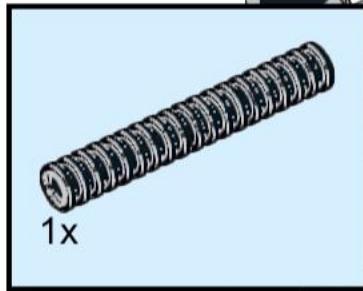
61



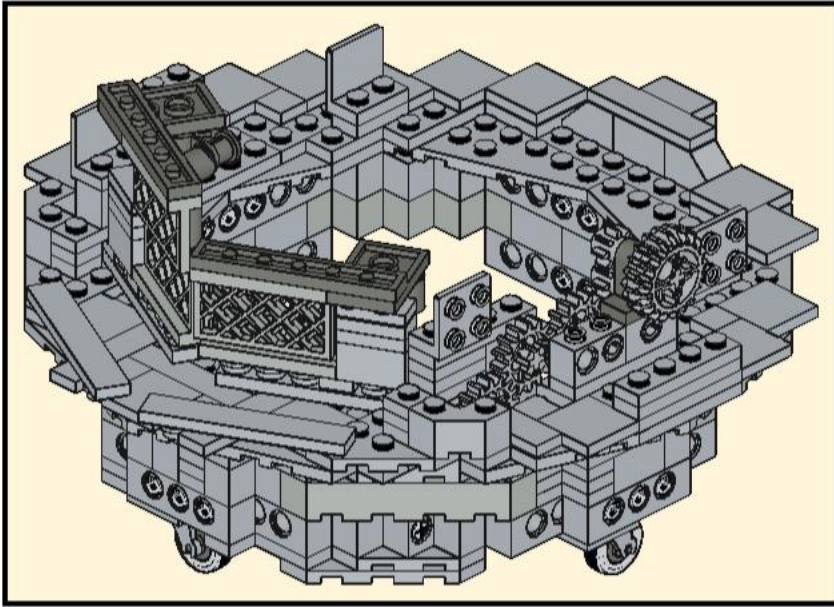
62



63

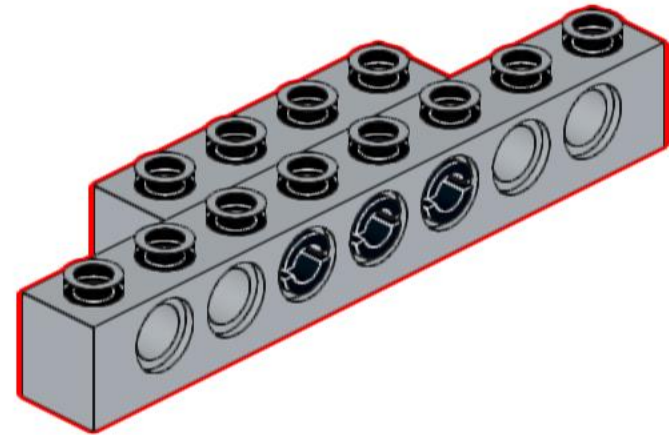
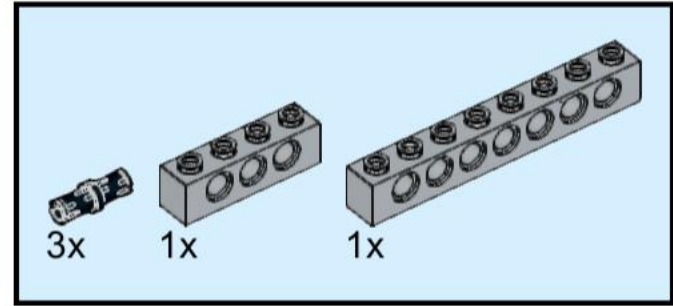


64

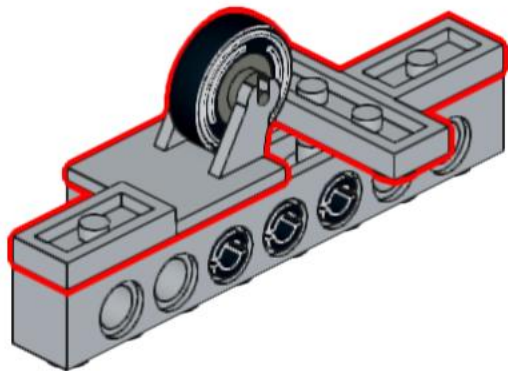
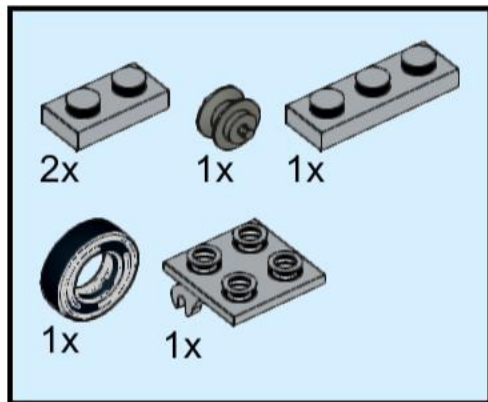


Dome Base

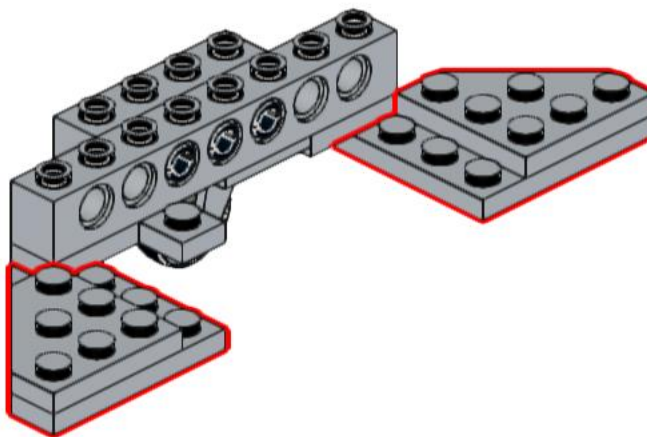
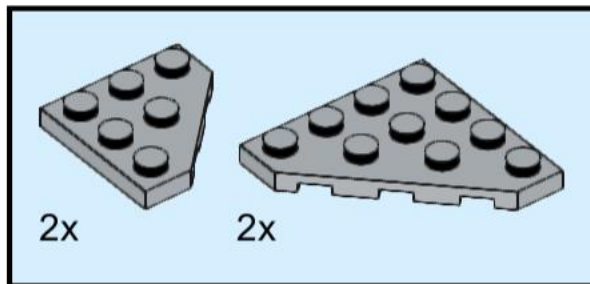
65



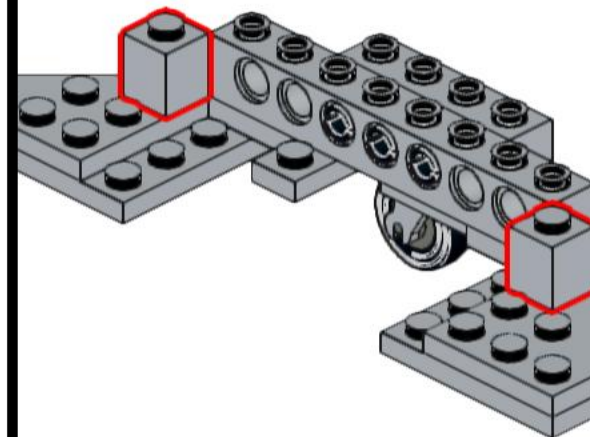
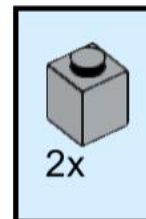
66

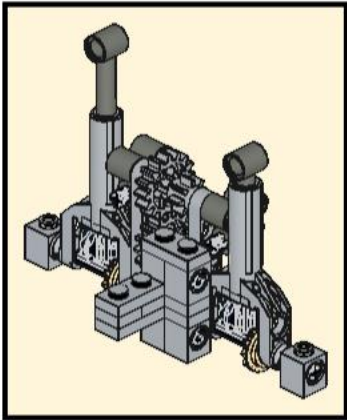


67

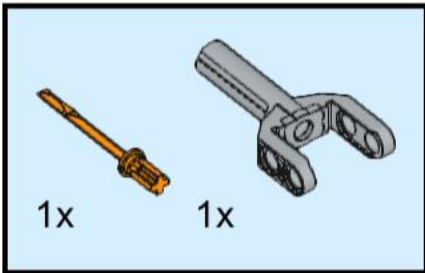
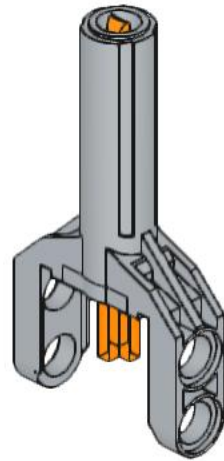


68

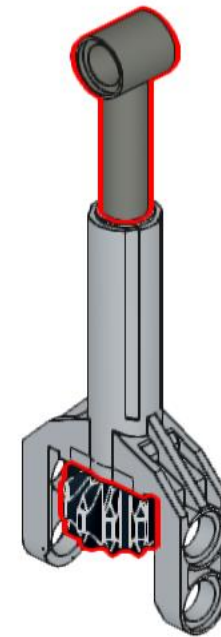
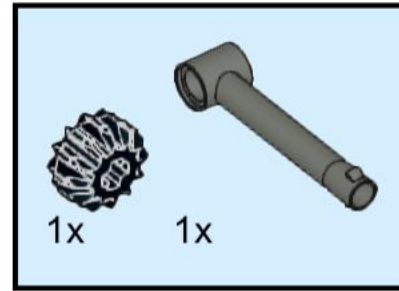




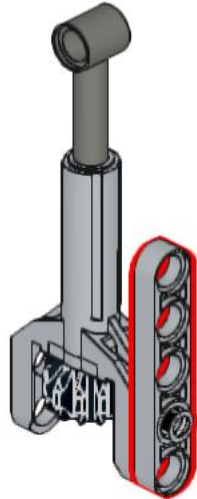
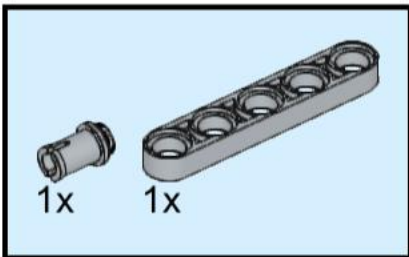
69



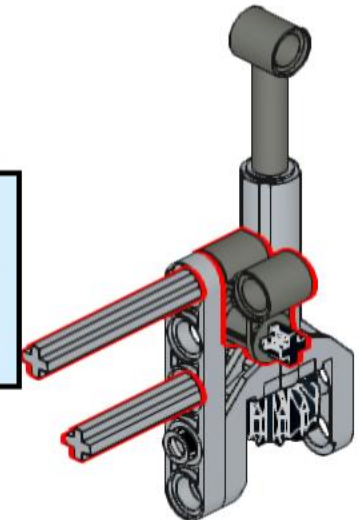
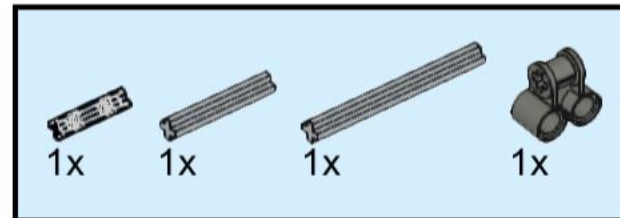
70



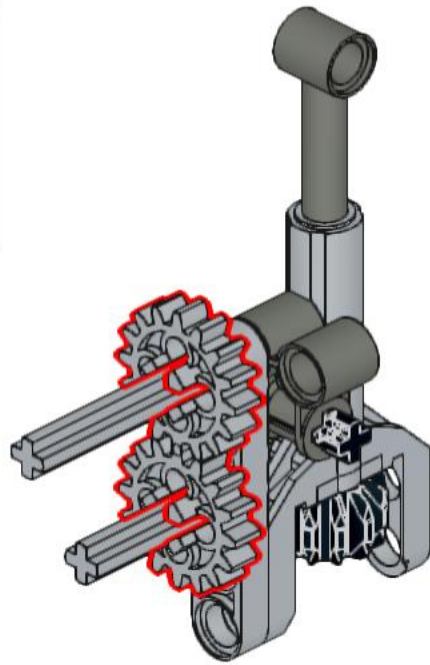
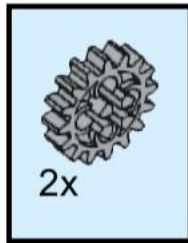
71



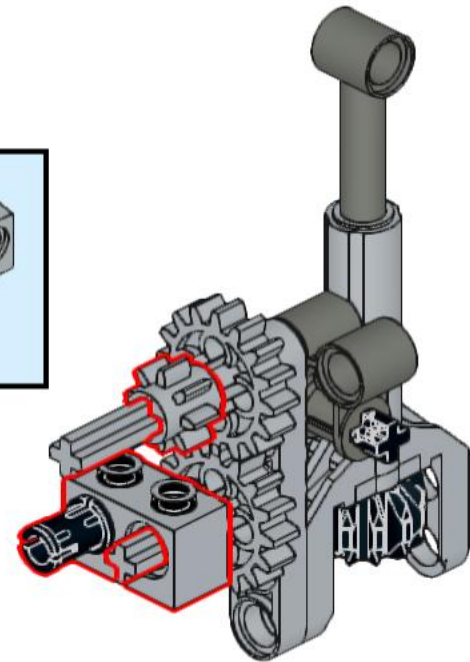
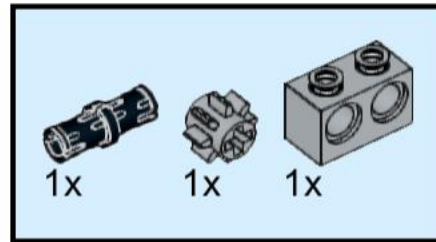
72



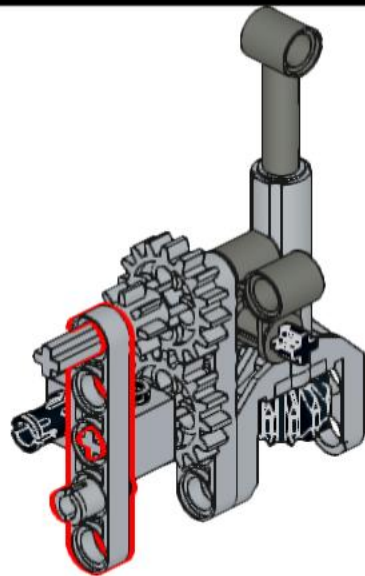
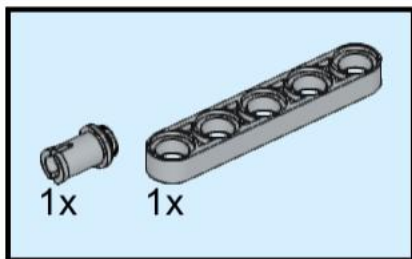
73



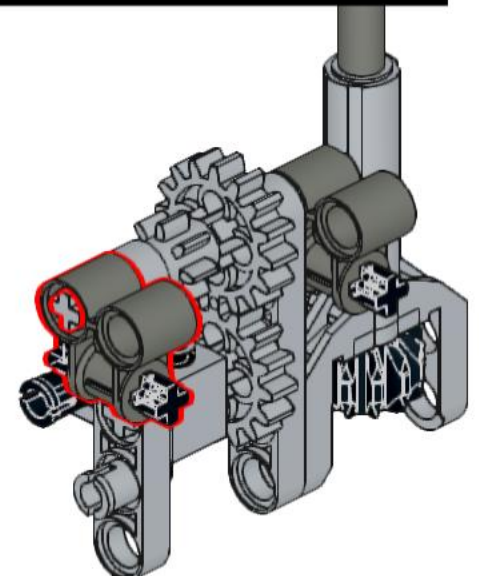
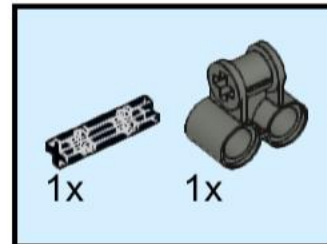
74



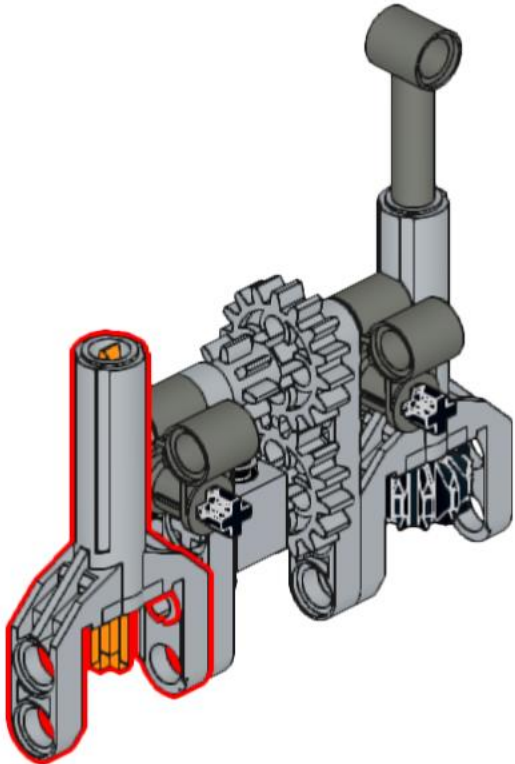
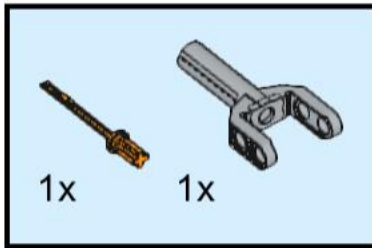
75



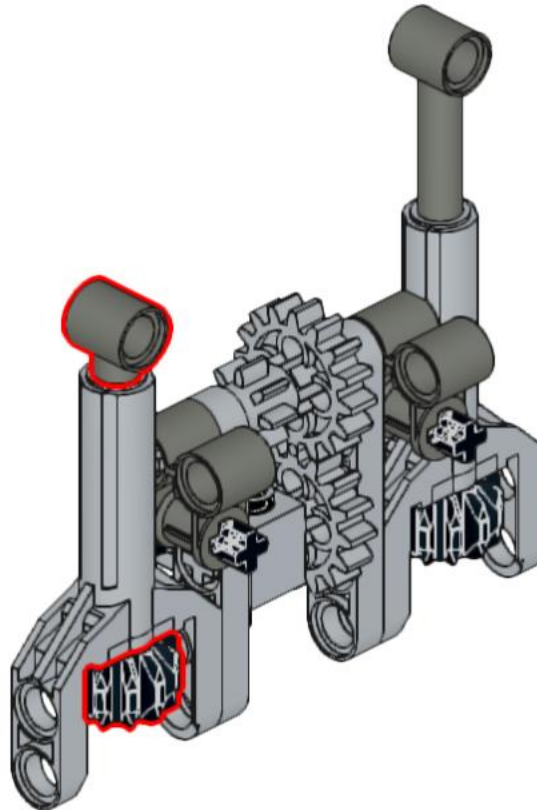
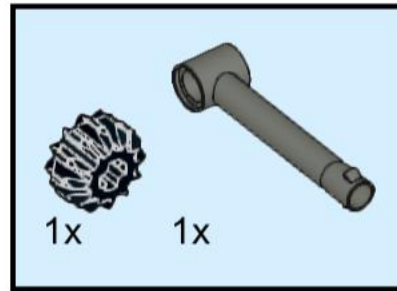
76



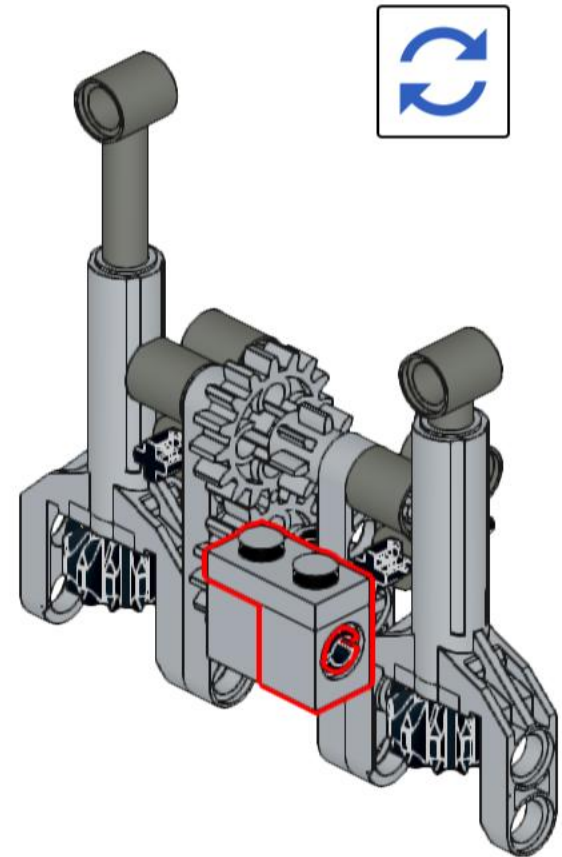
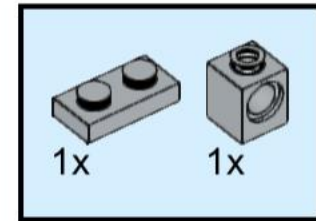
77



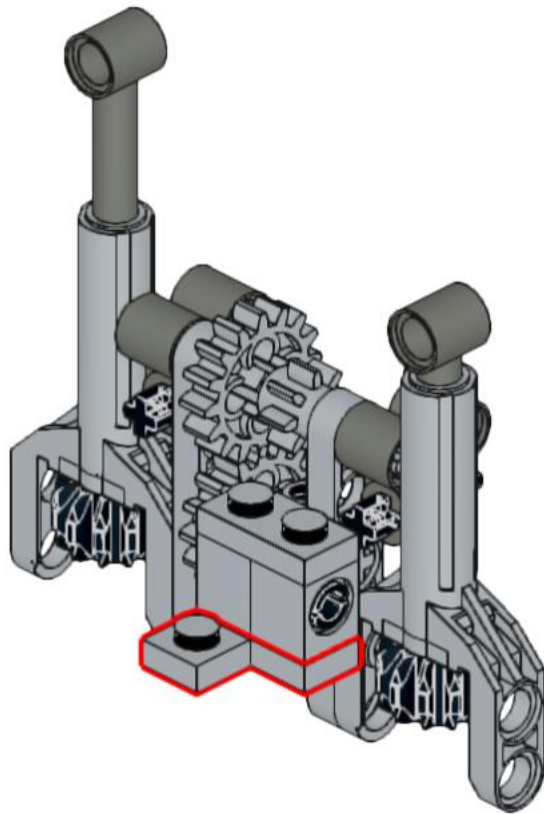
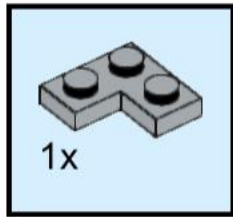
78



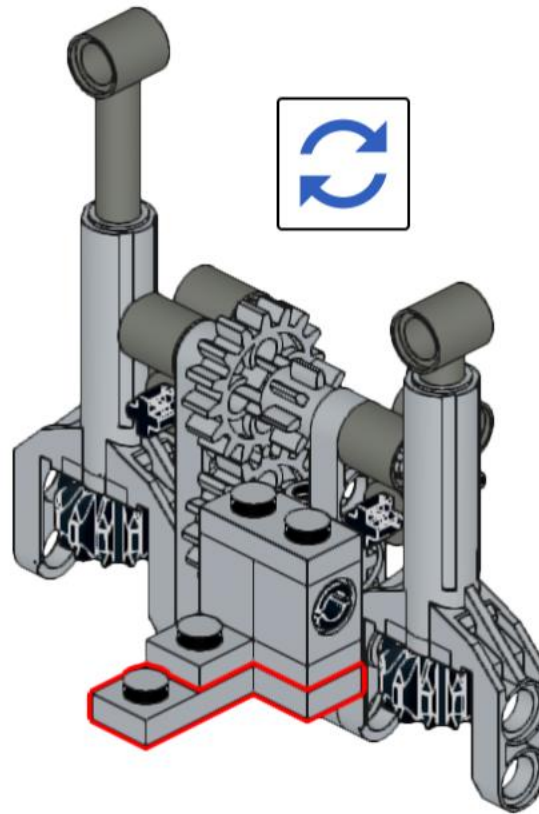
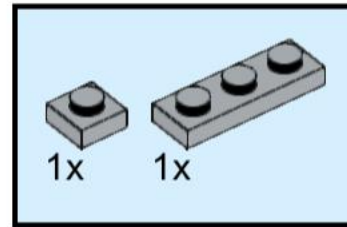
79



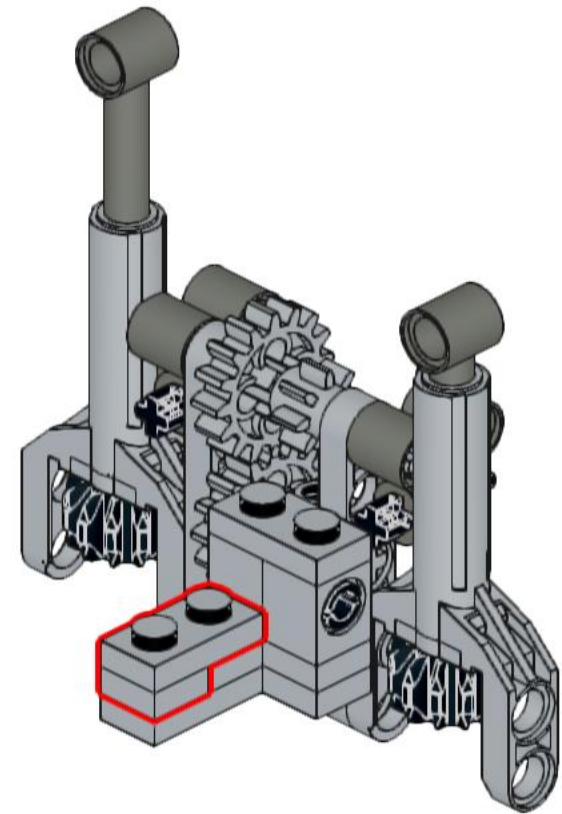
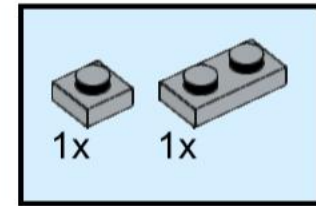
80



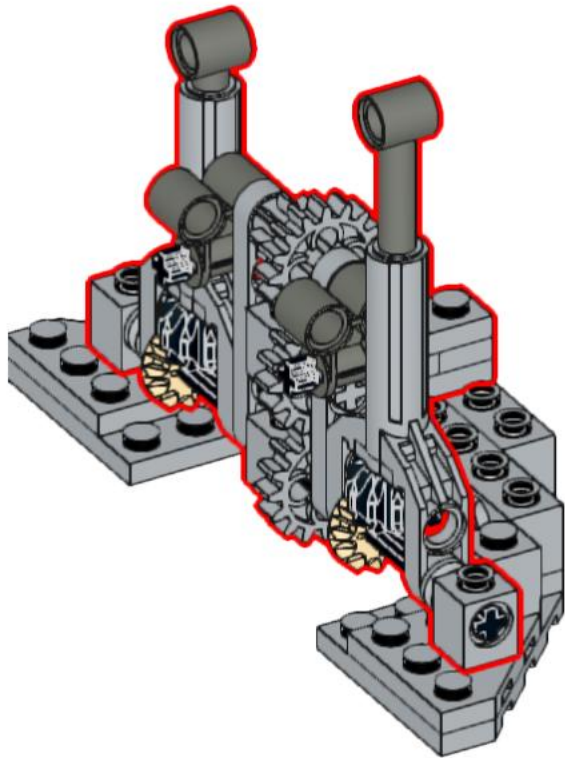
81



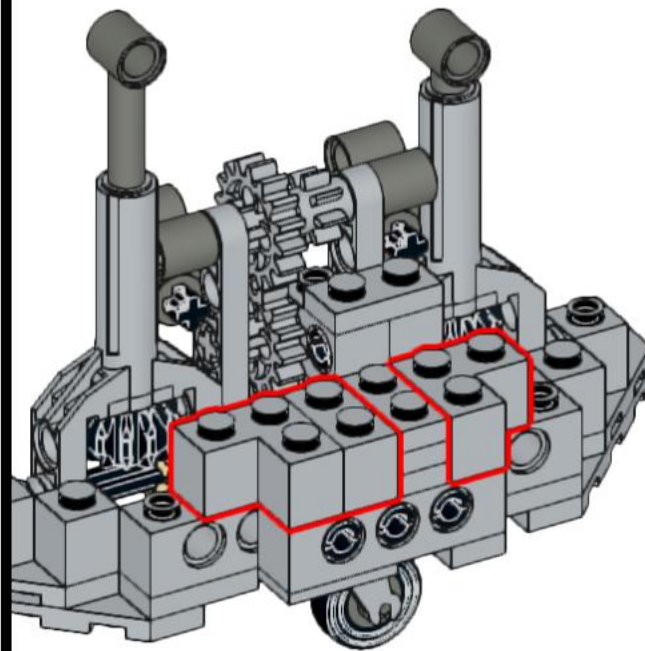
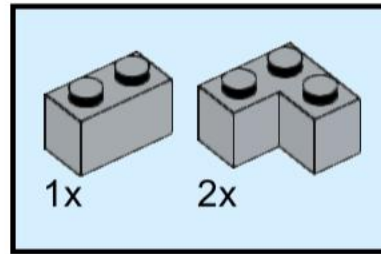
82



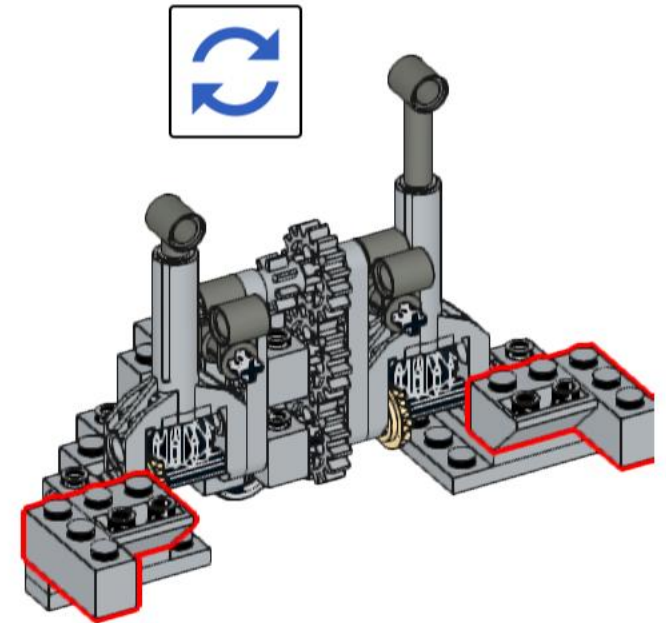
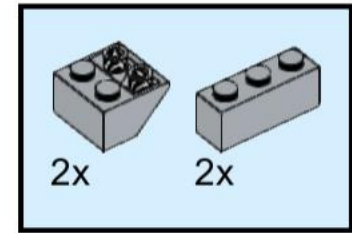
85



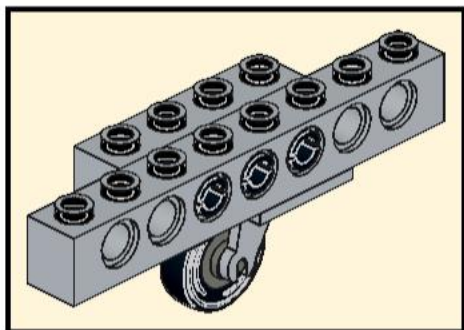
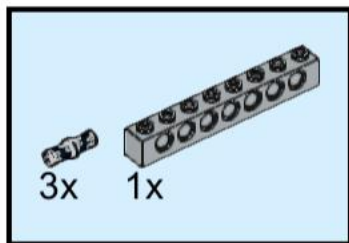
86



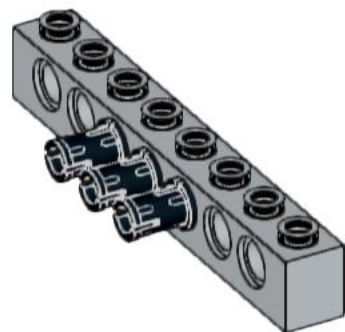
87



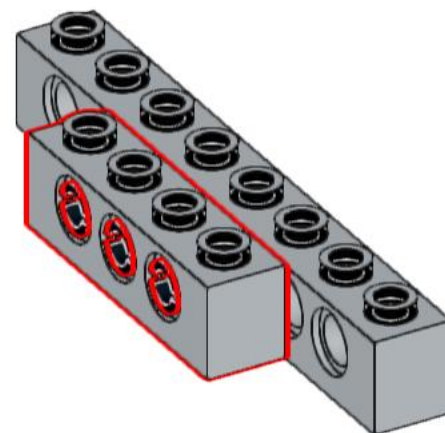
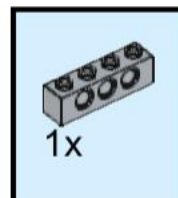
88



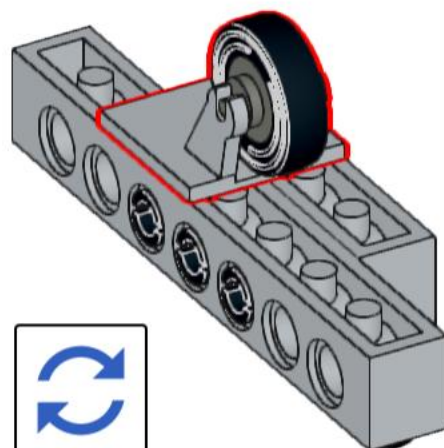
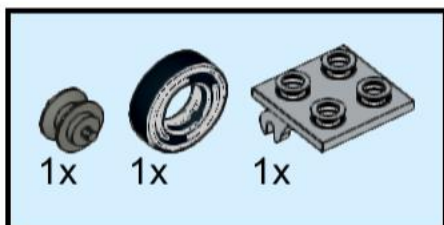
3x



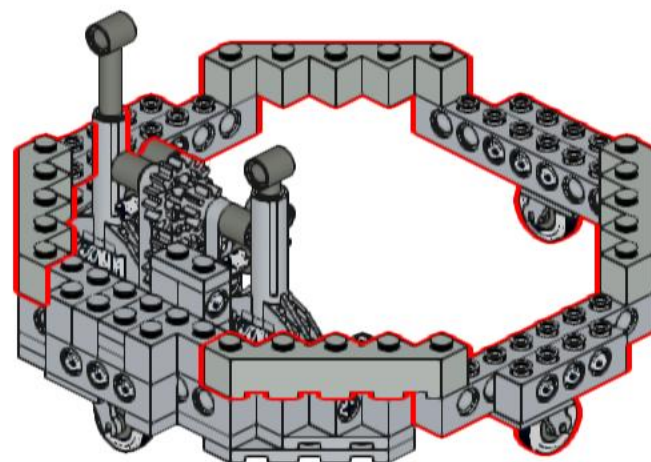
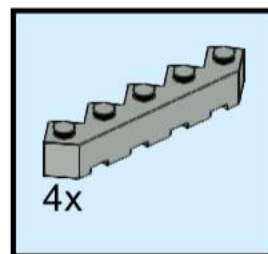
89



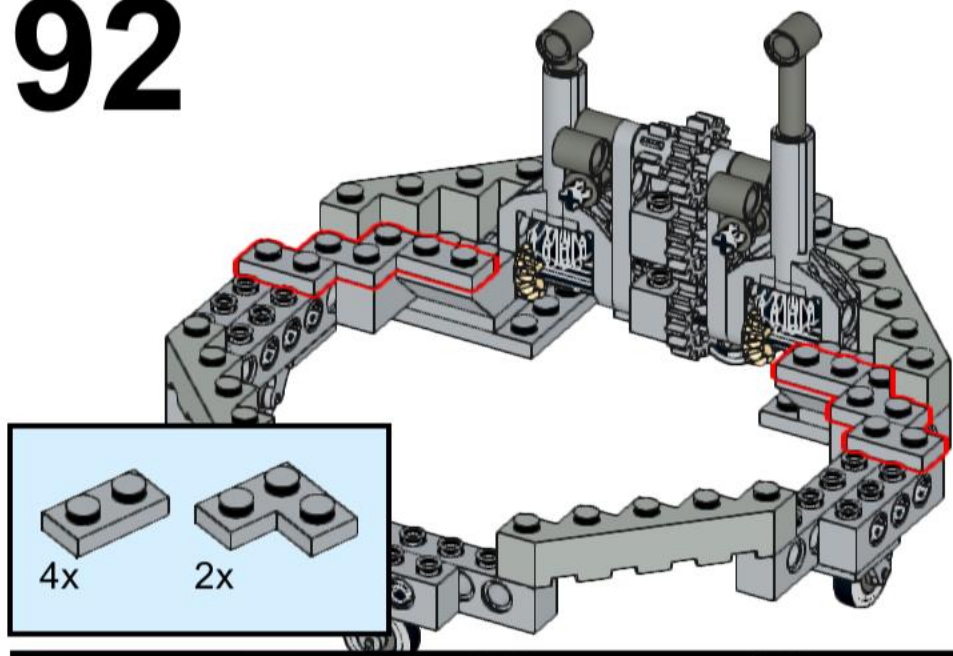
90



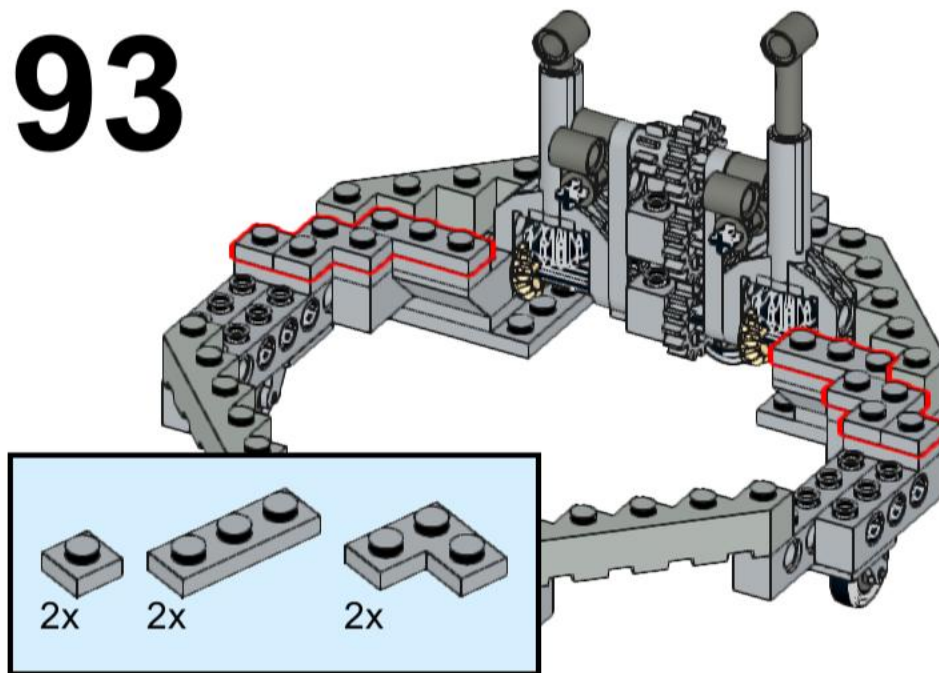
91



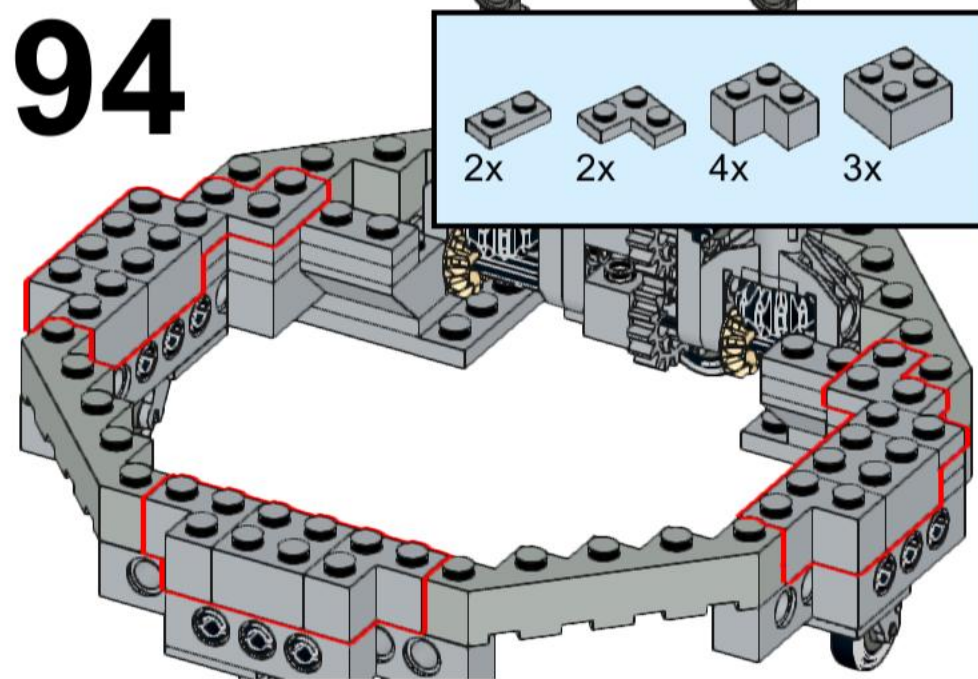
92



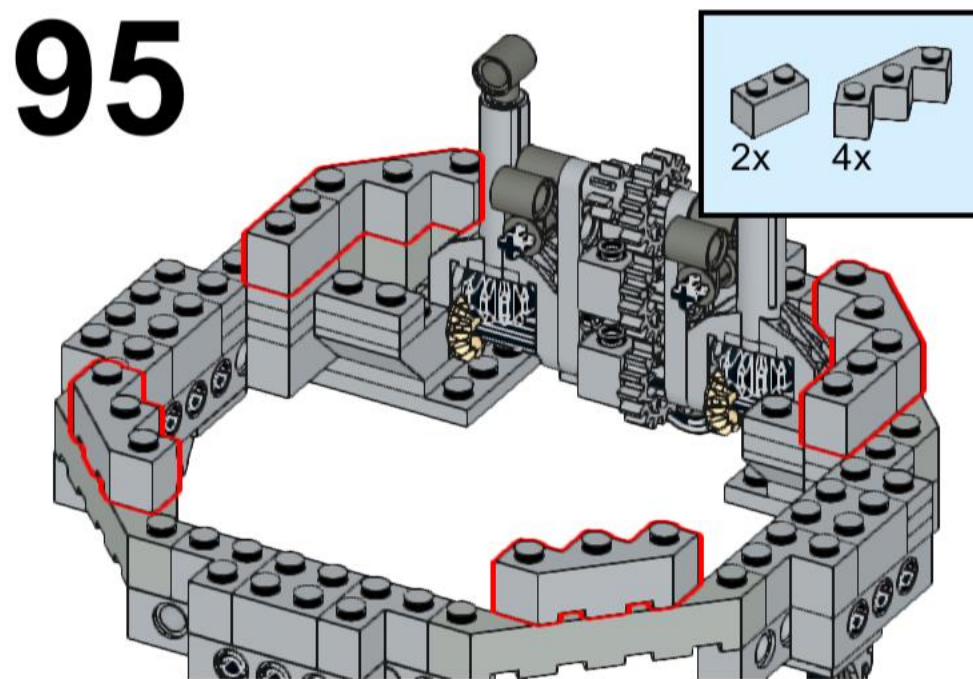
93



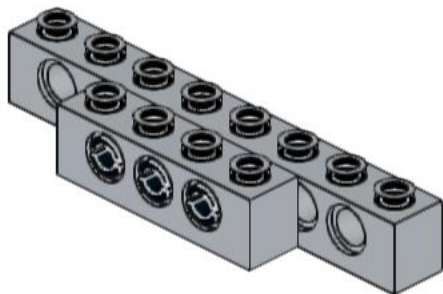
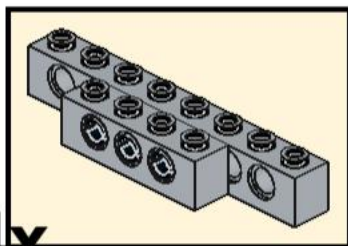
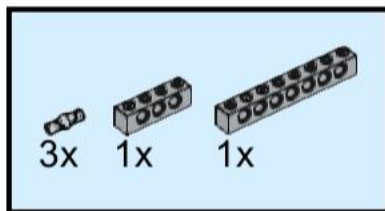
94



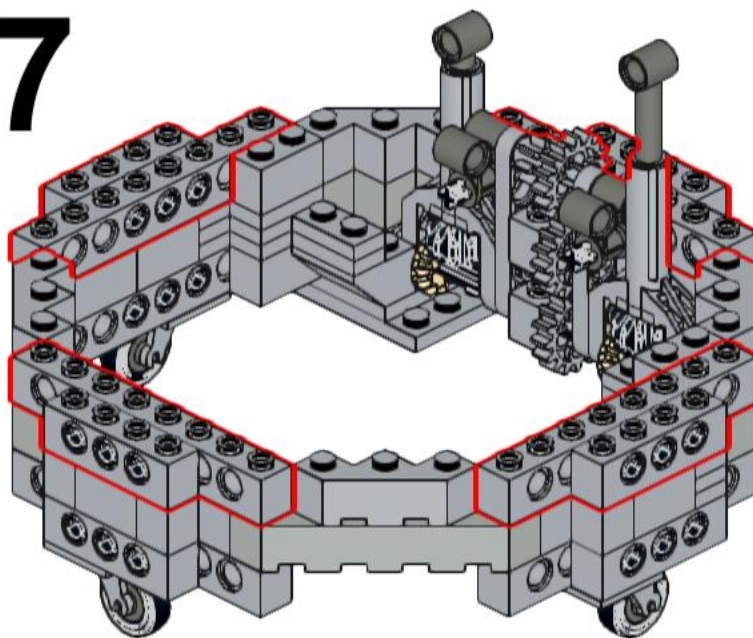
95



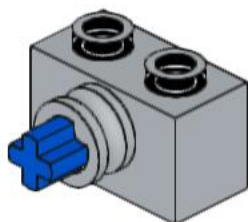
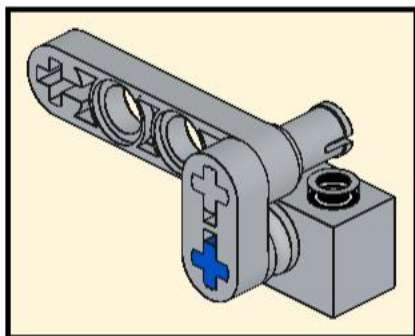
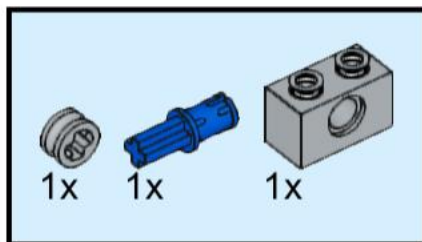
96



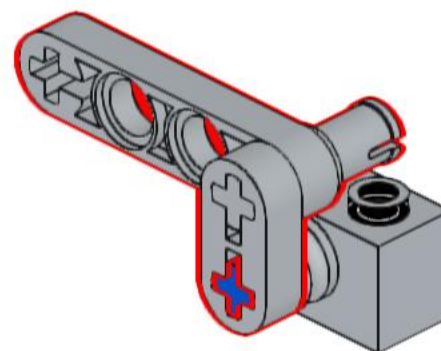
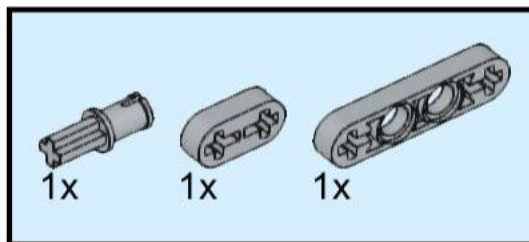
97



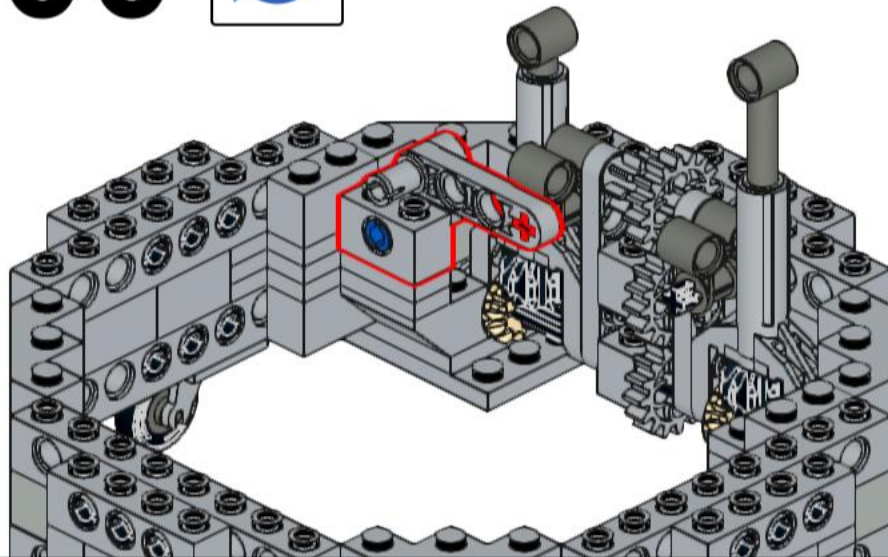
98



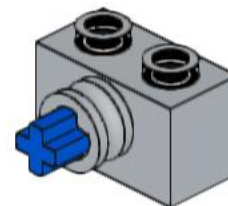
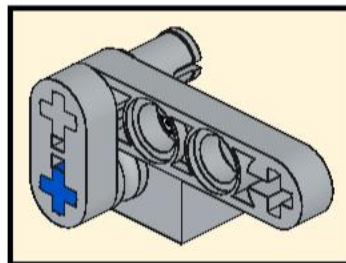
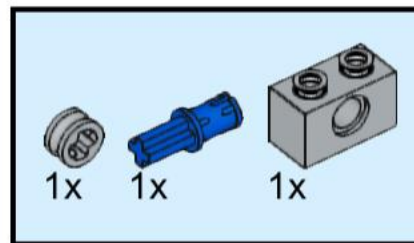
99



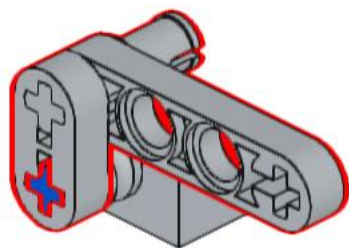
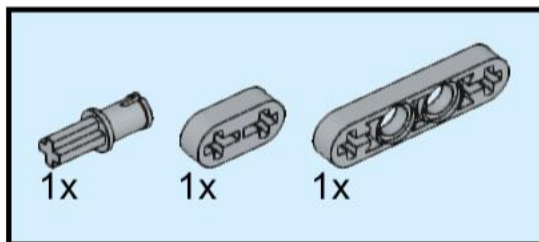
100



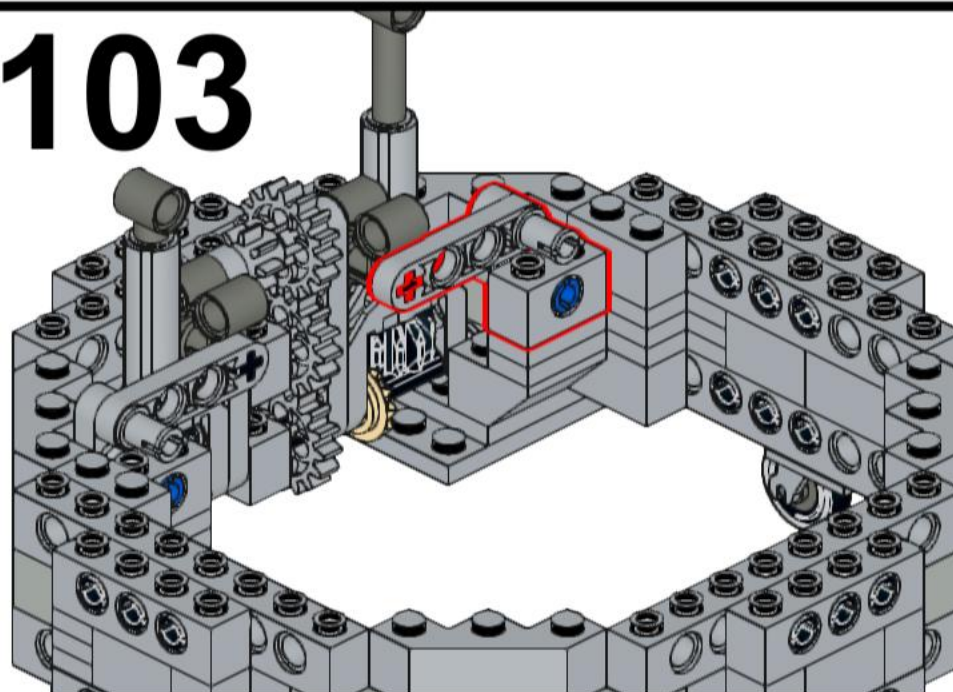
101



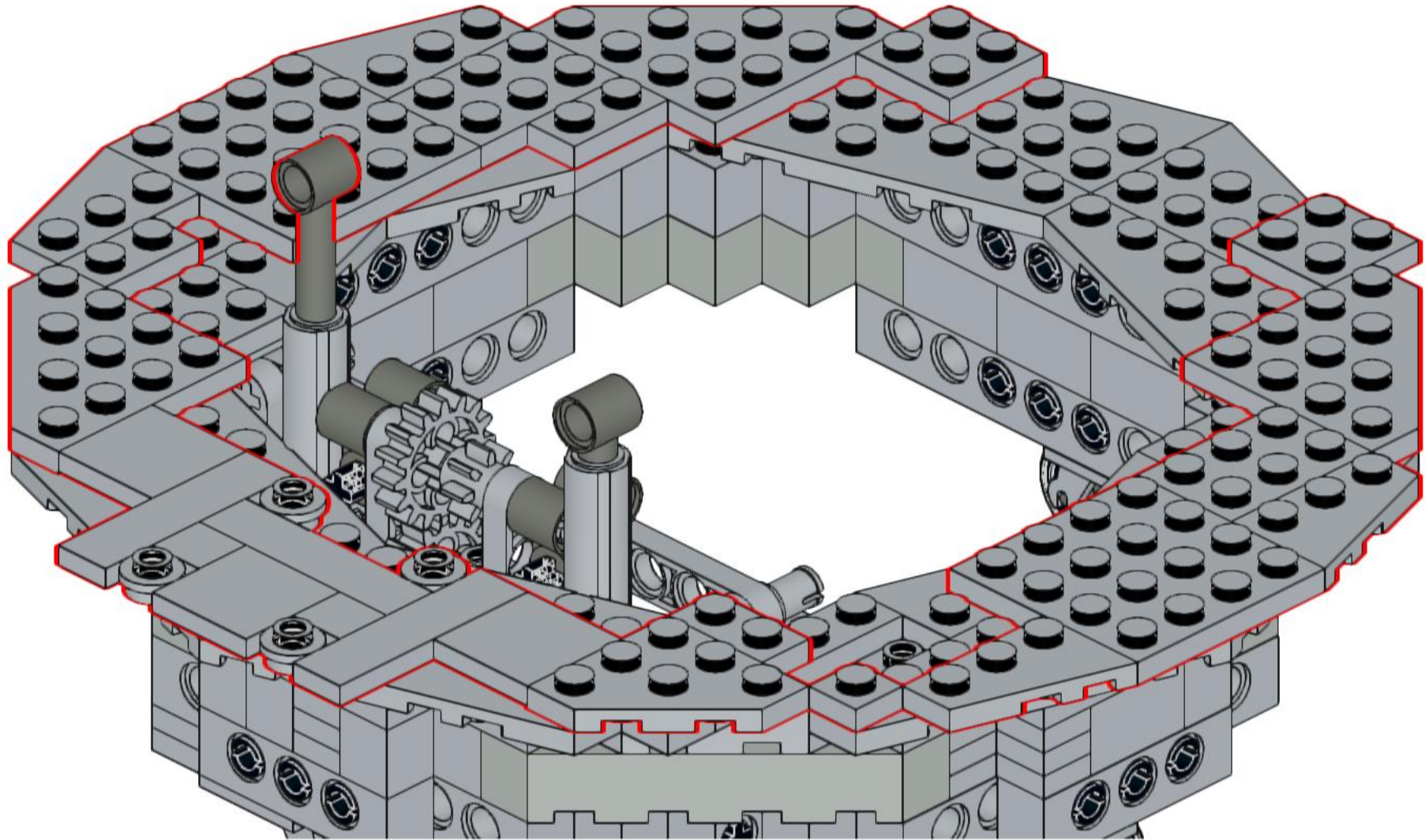
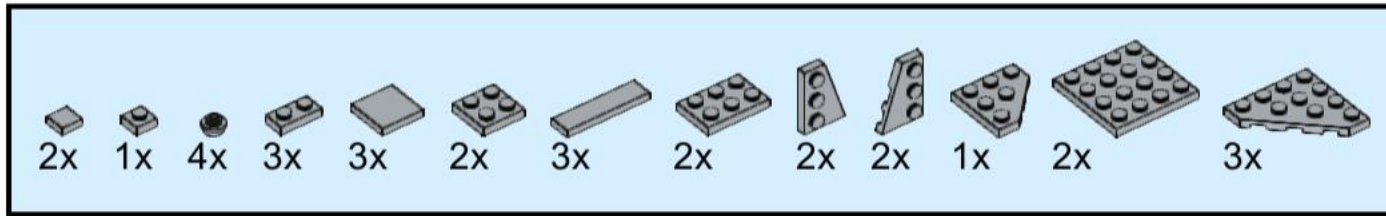
102



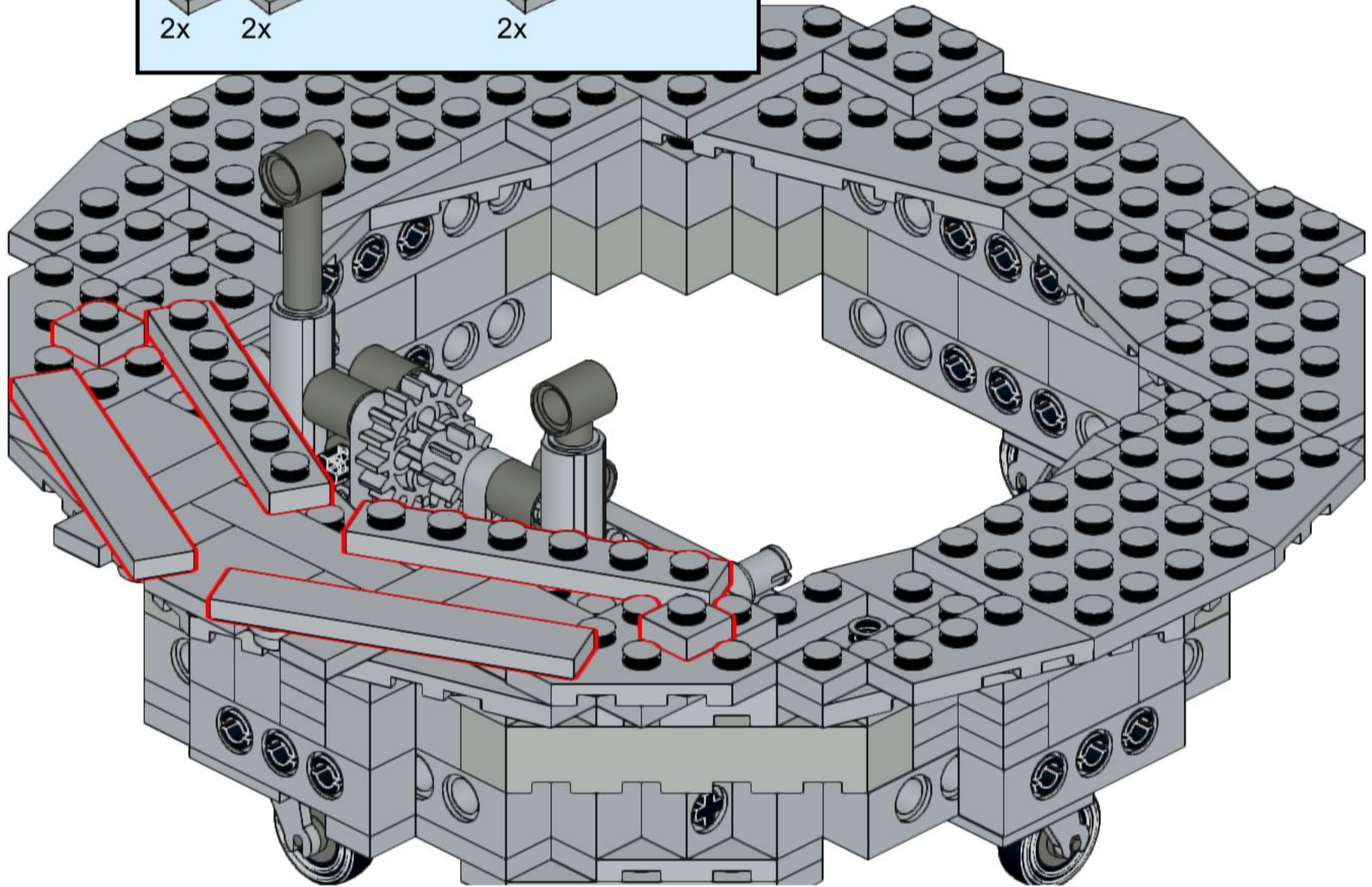
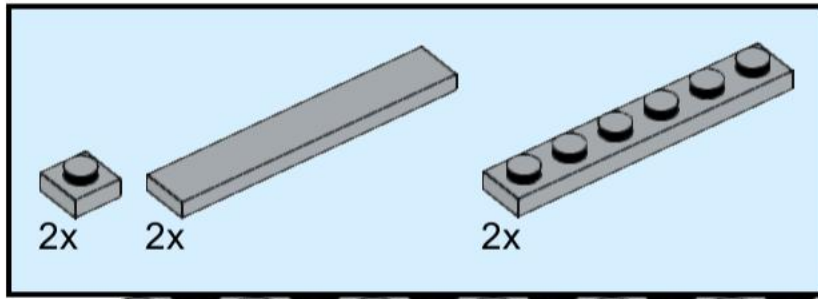
103



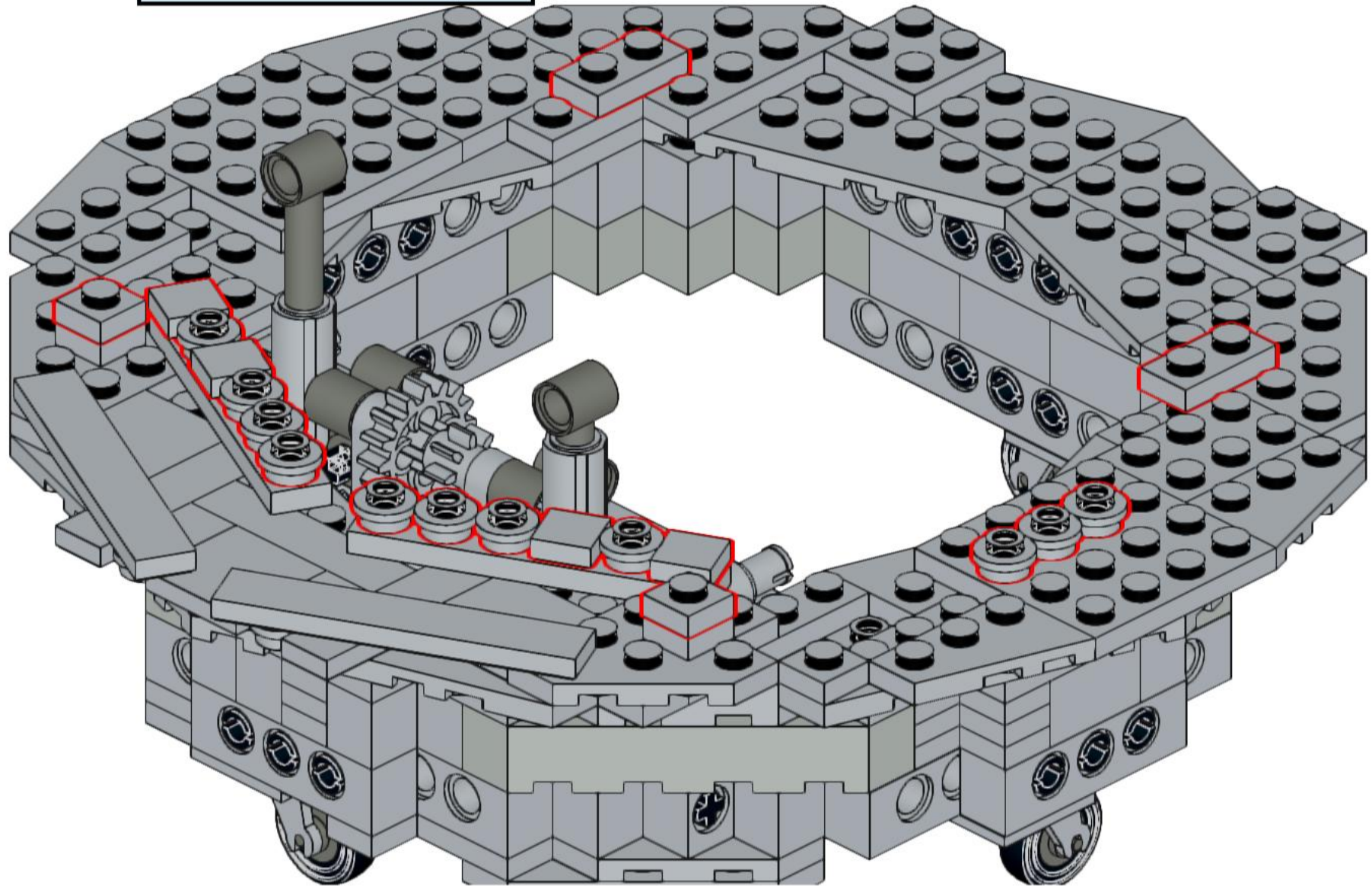
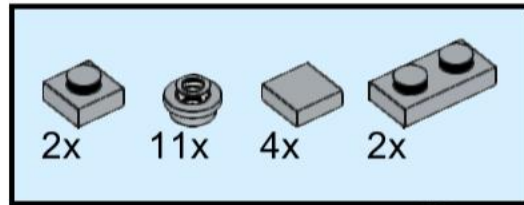
105



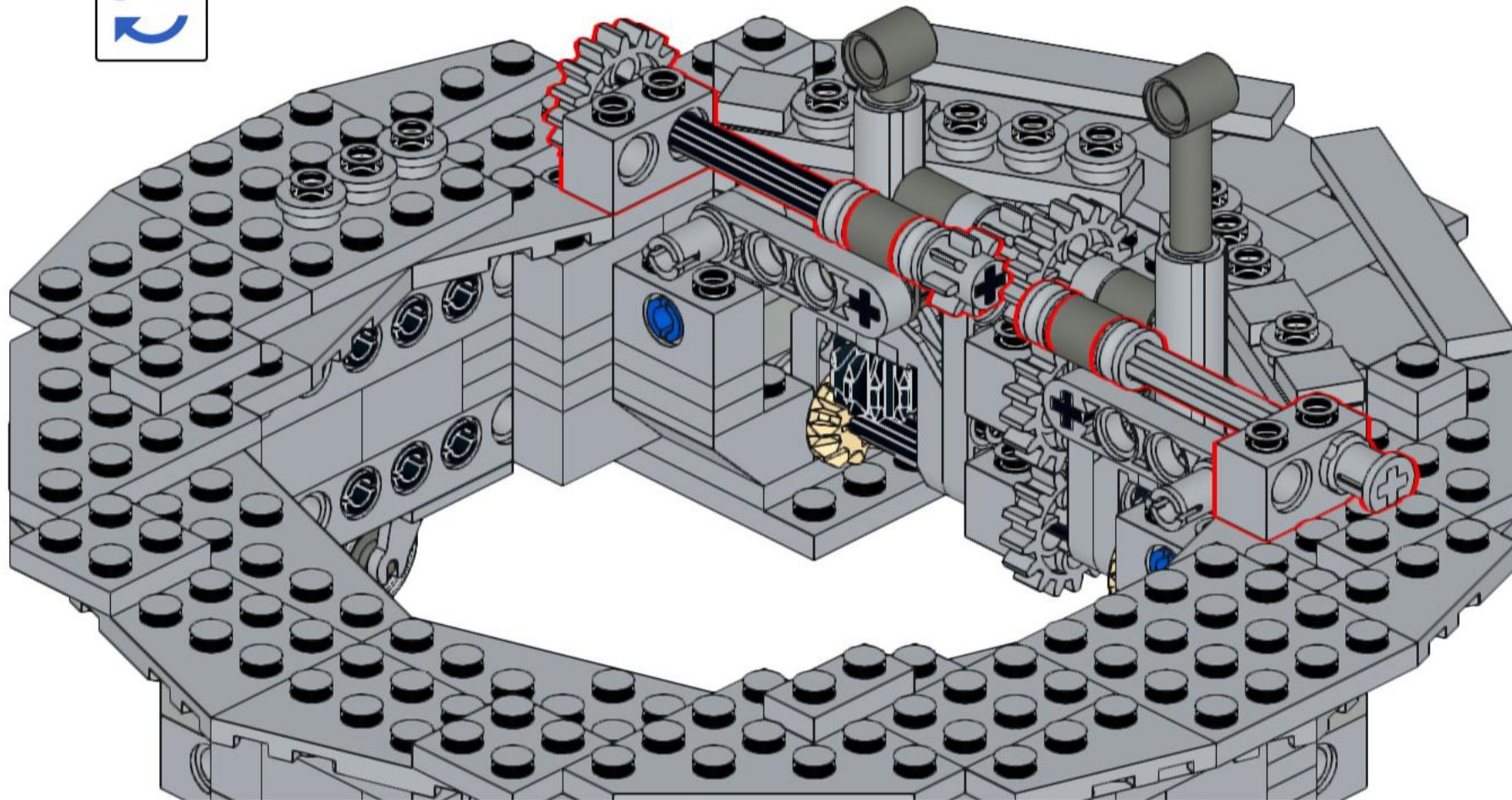
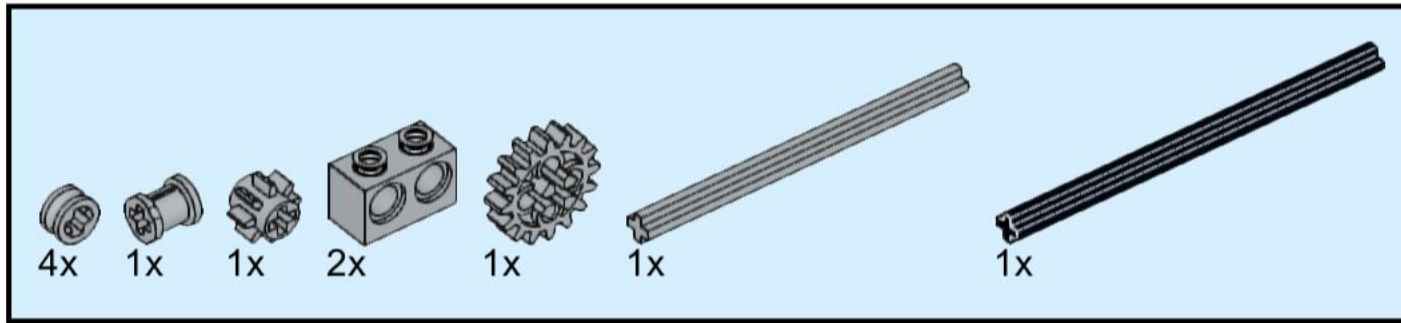
106



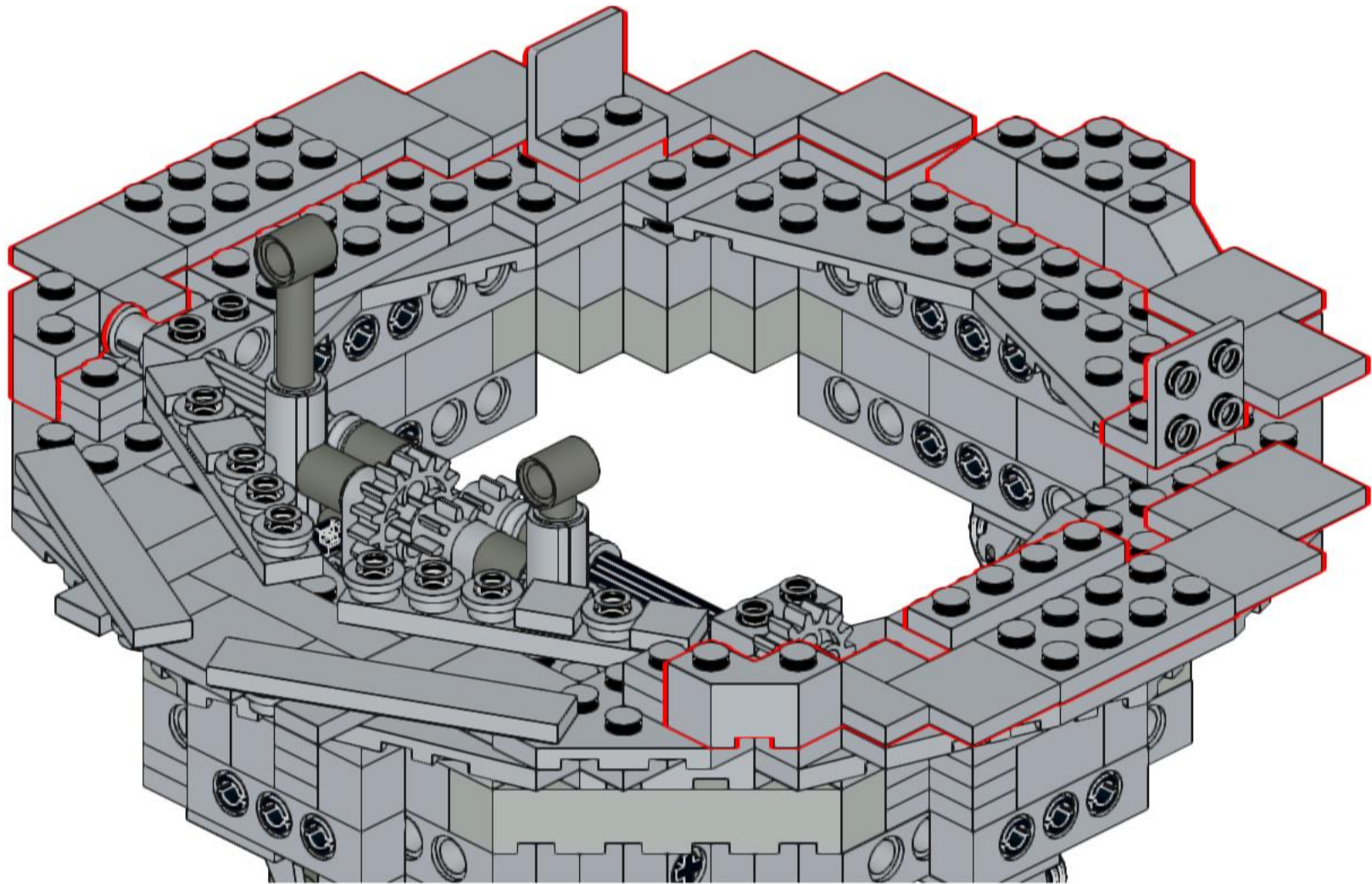
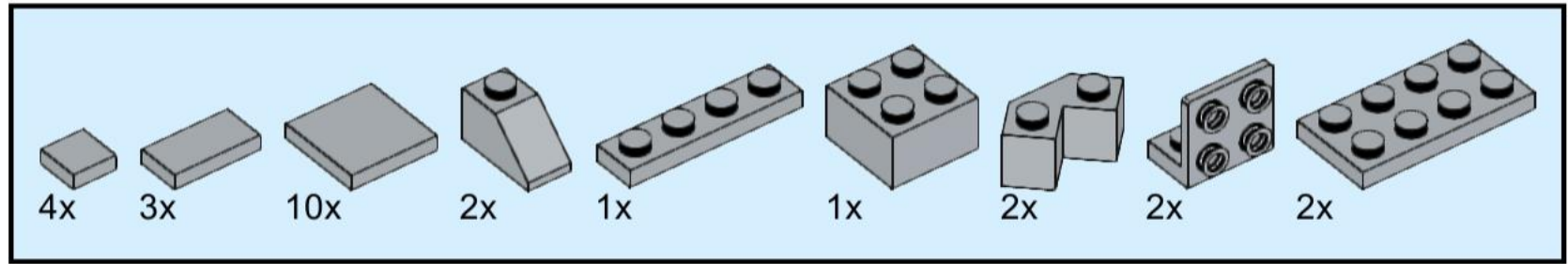
107



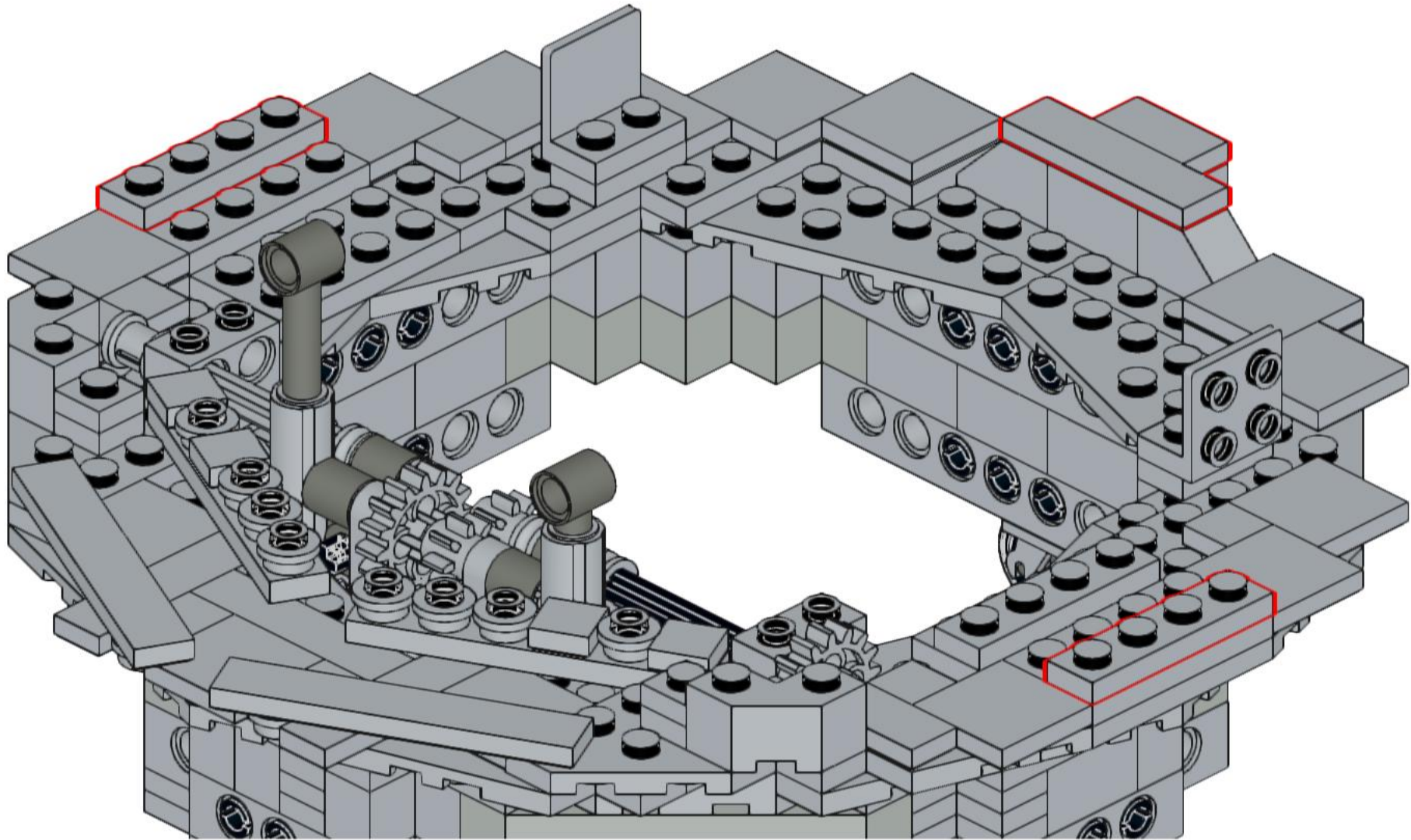
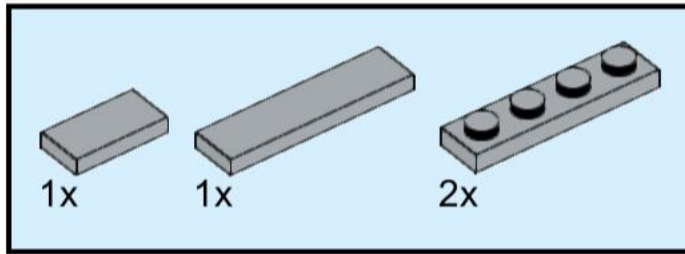
108



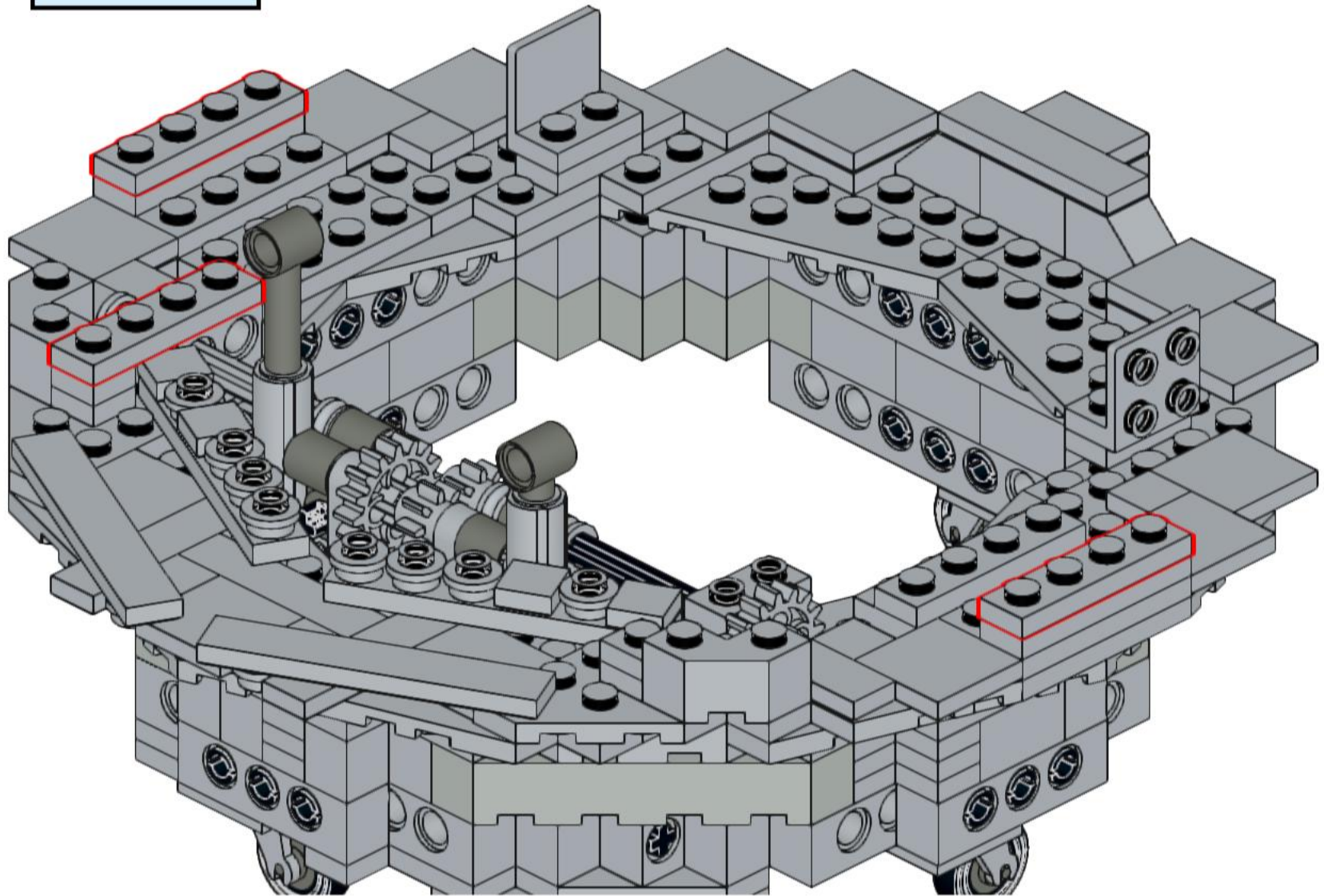
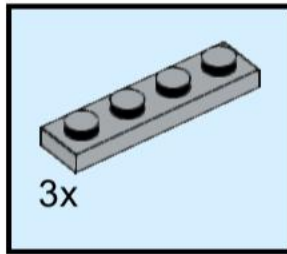
109



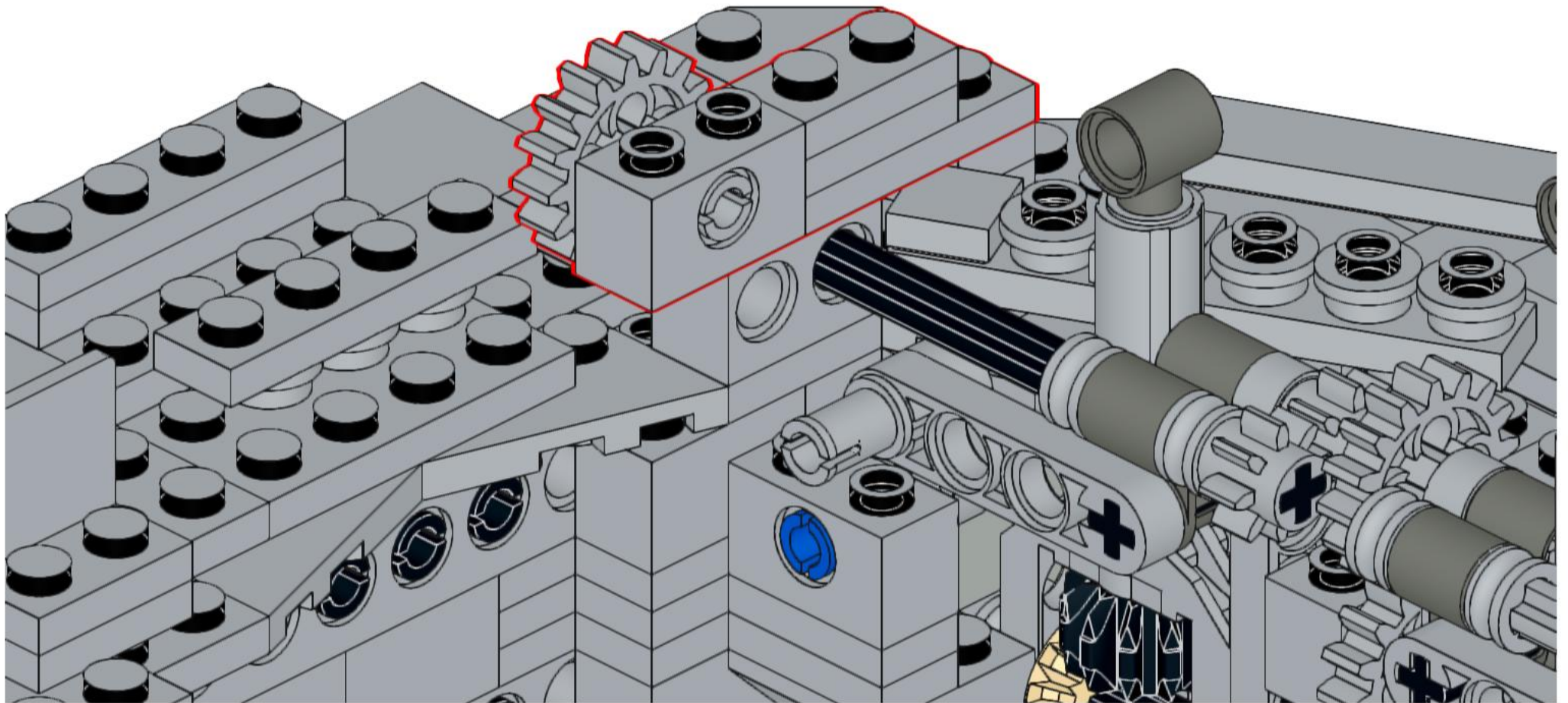
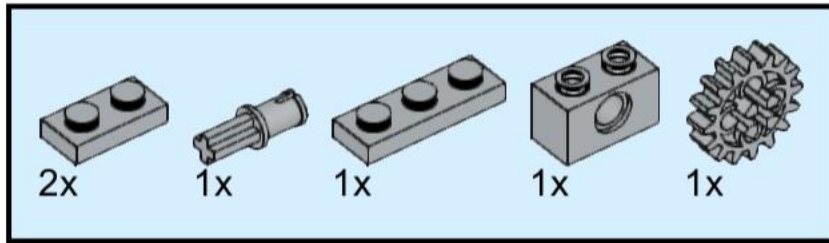
110



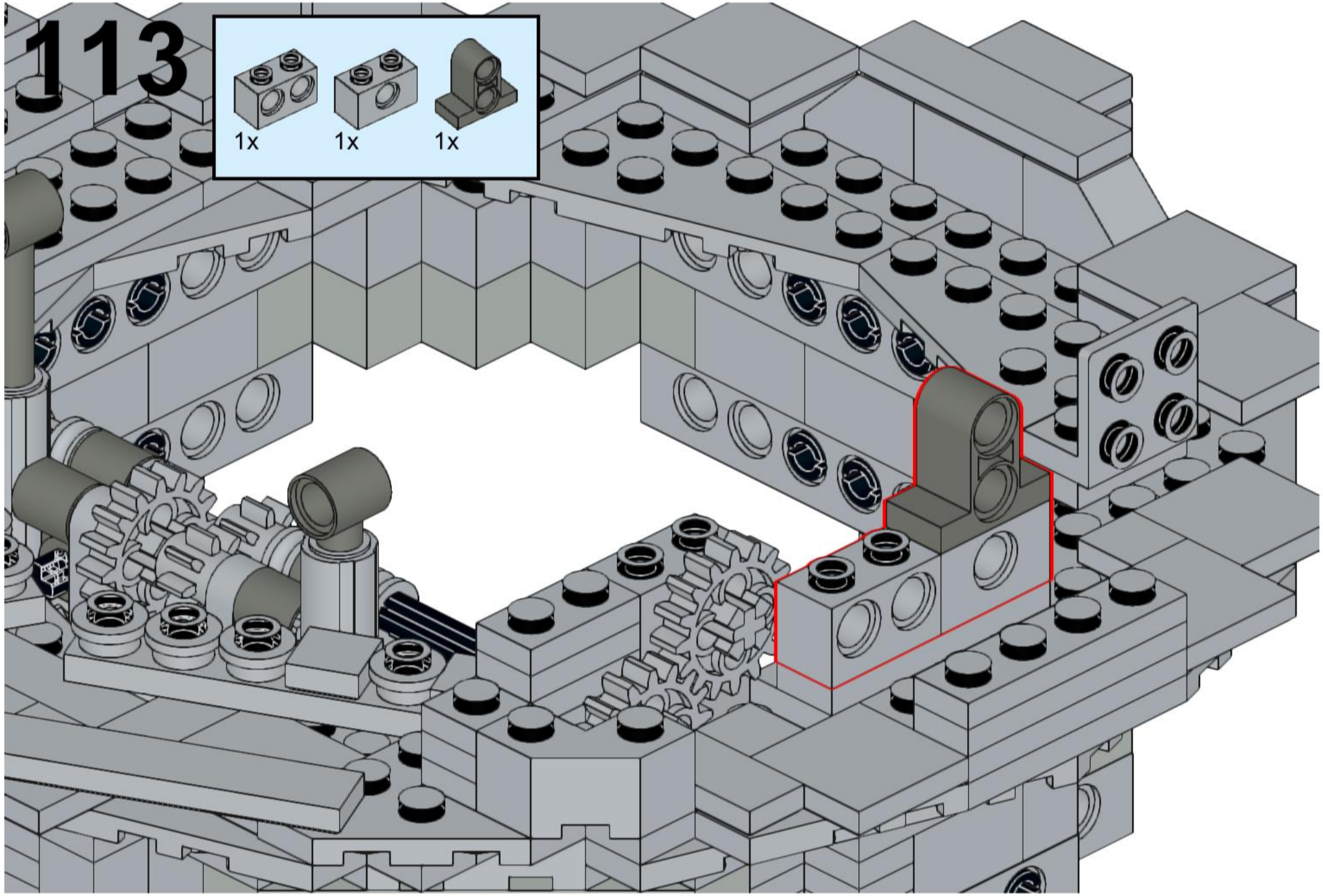
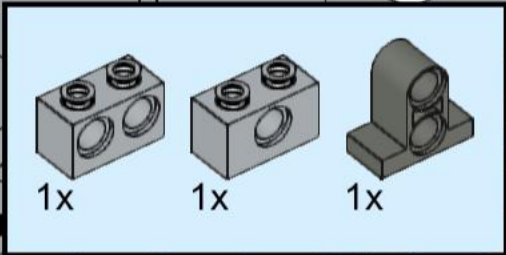
111



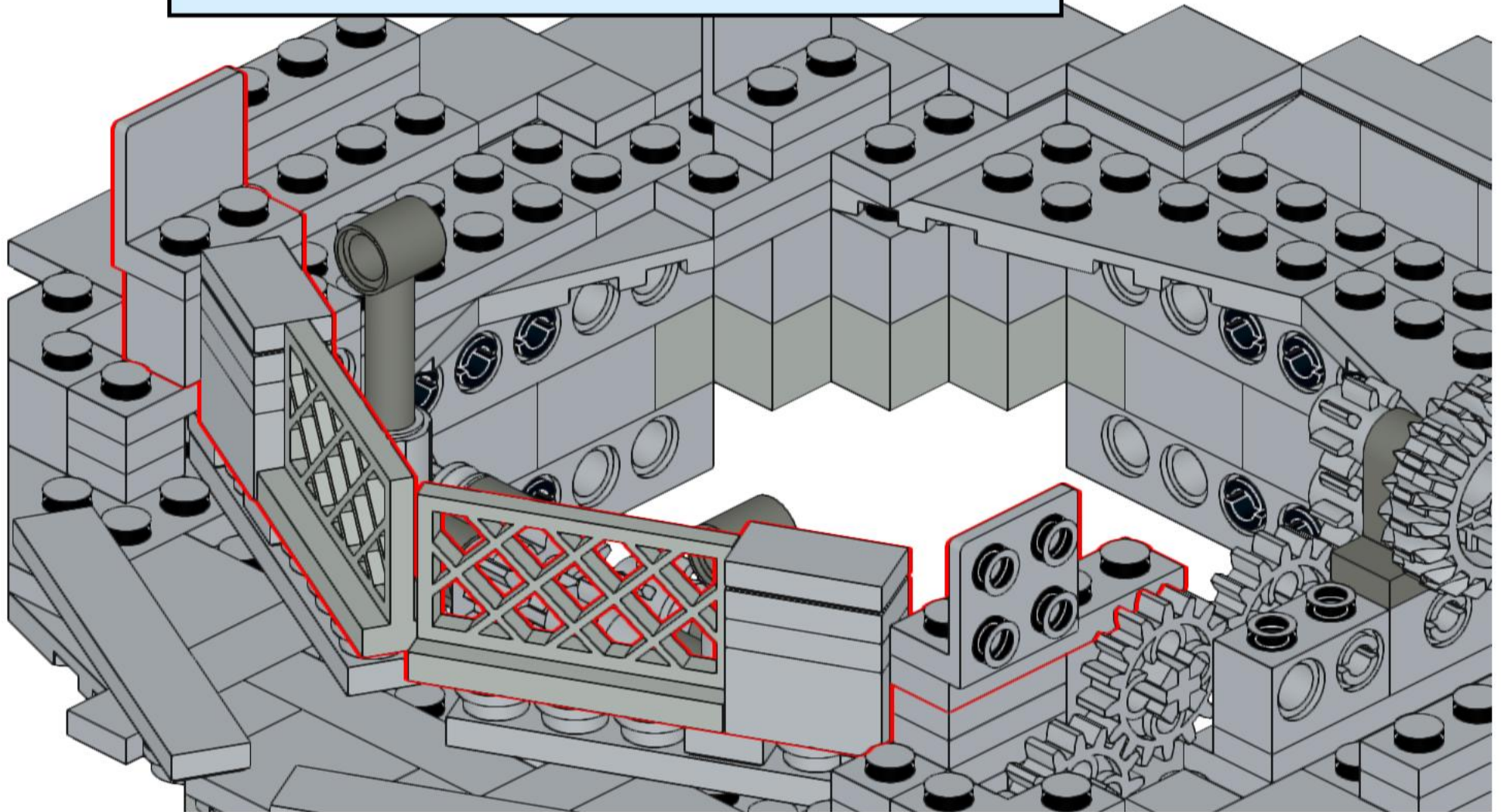
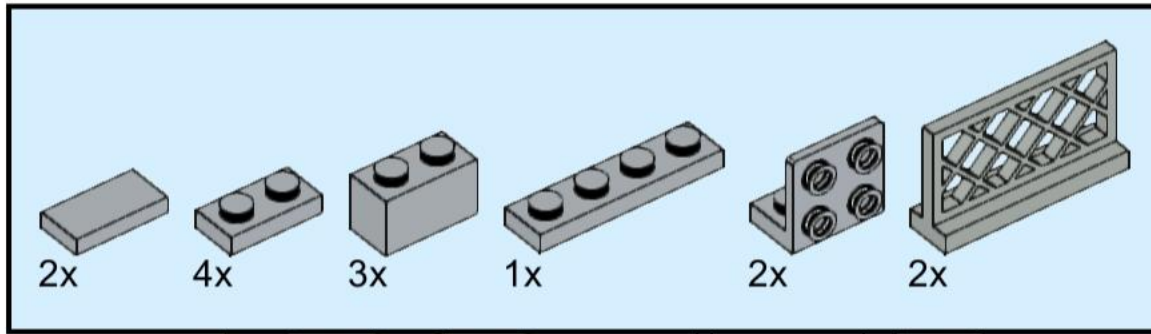
112



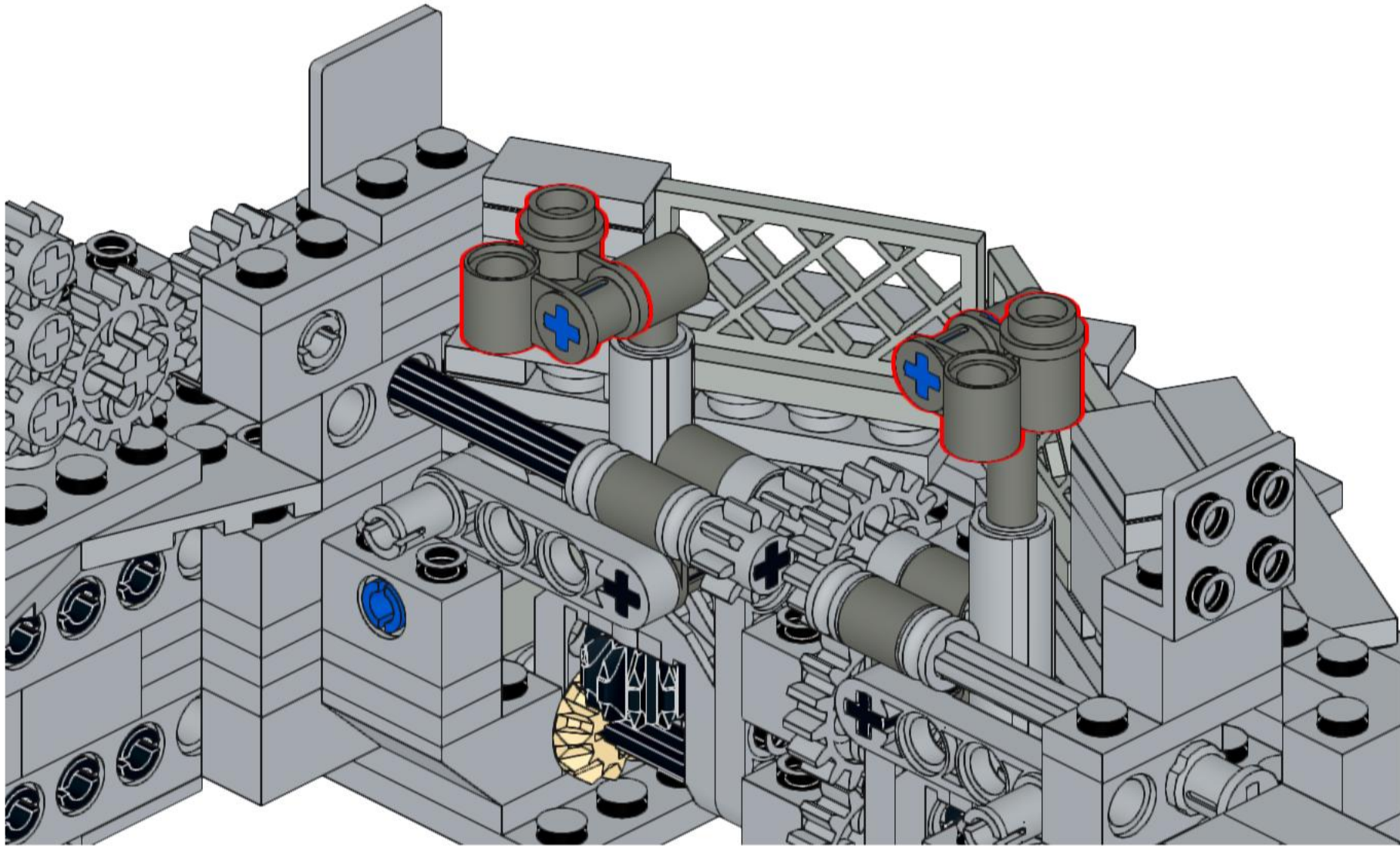
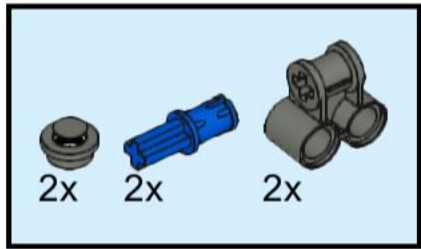
113



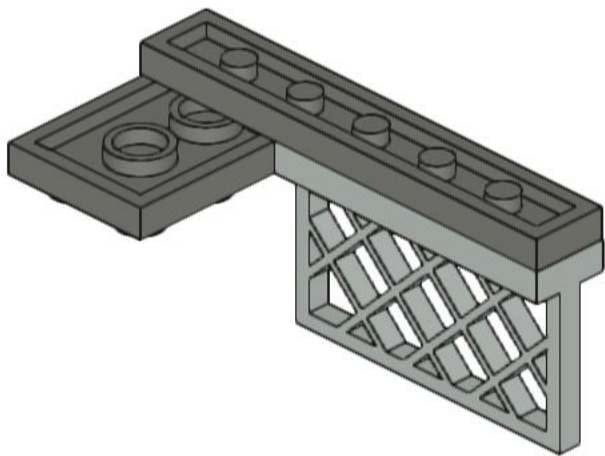
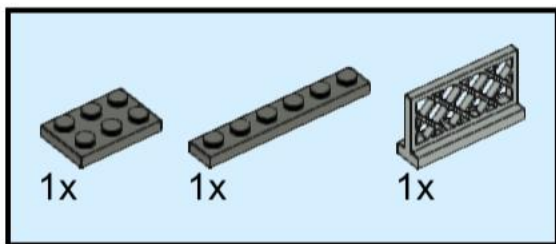
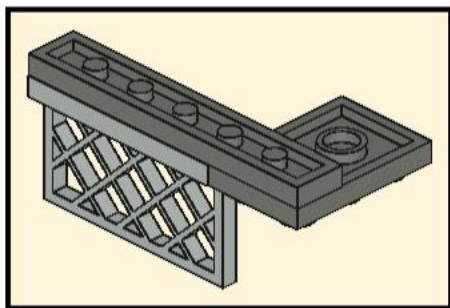
115



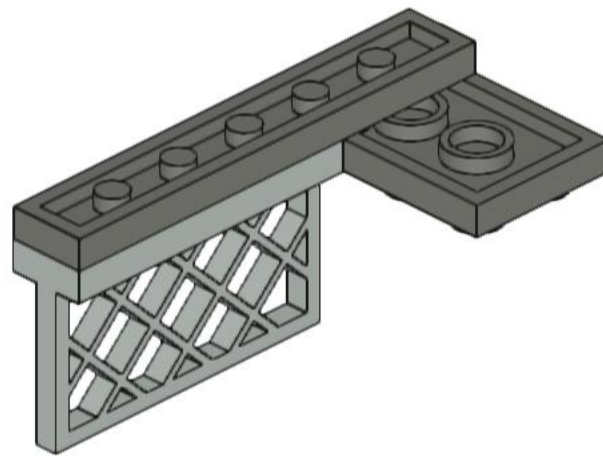
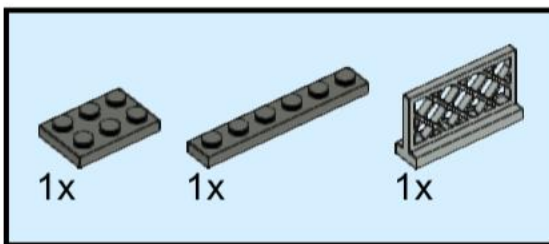
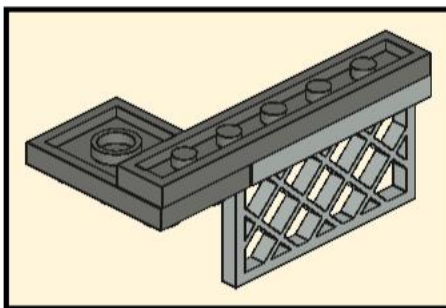
116



117

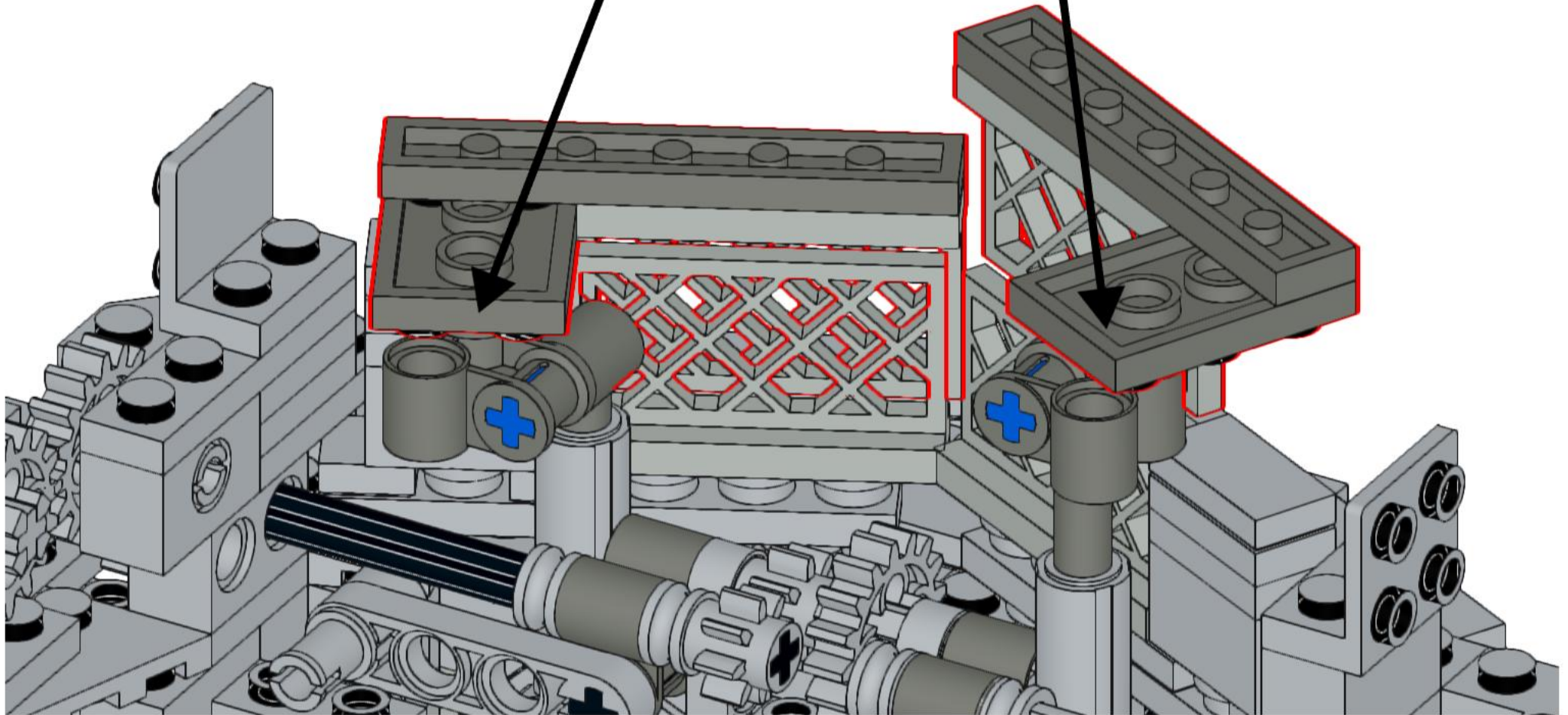


118



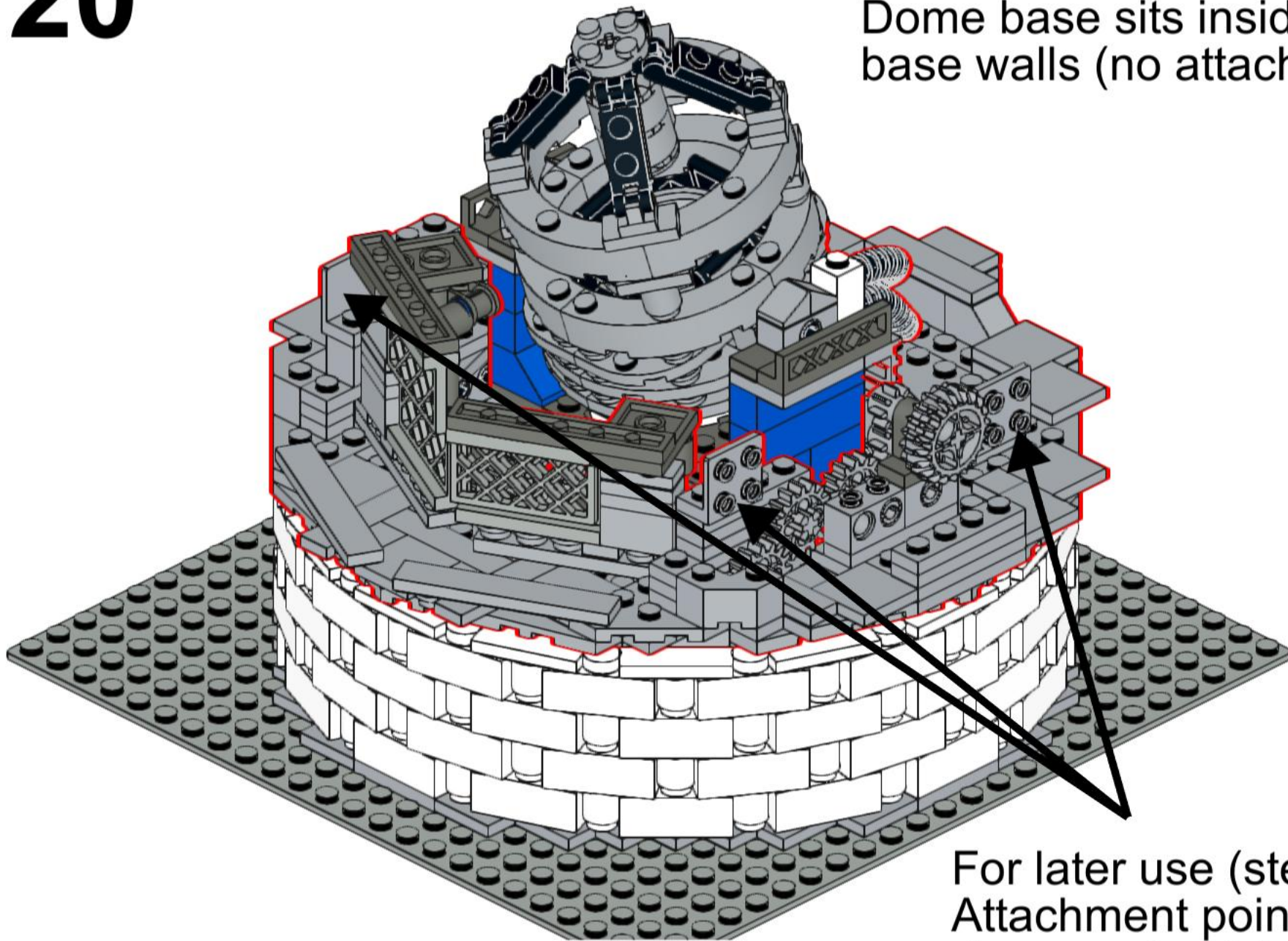
119

stud placed between
2x3 brick studs



120

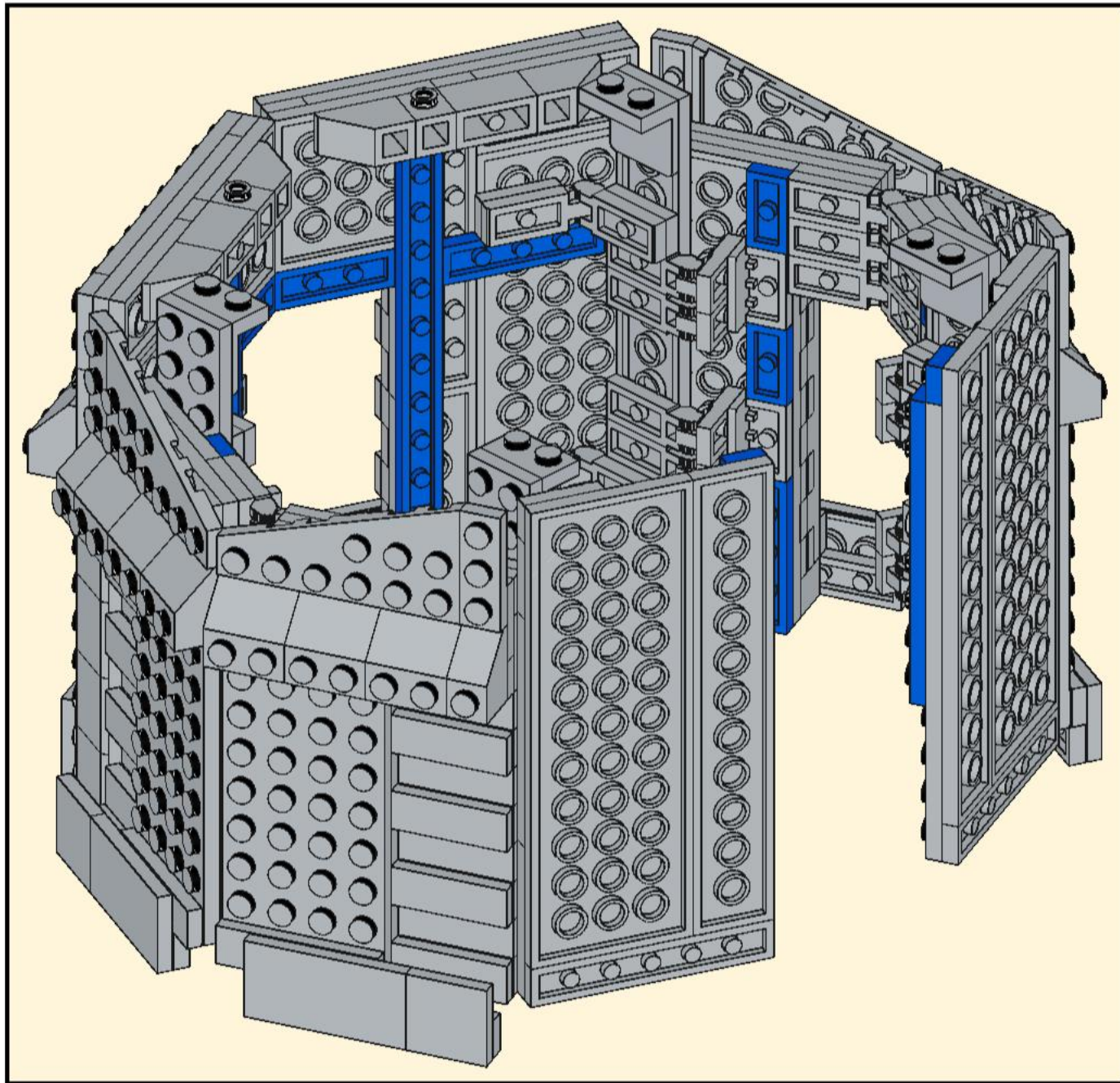
Dome base sits inside dome
base walls (no attachment)



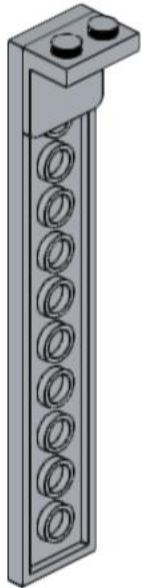
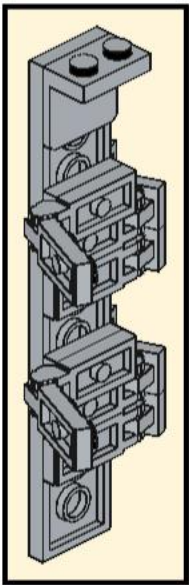
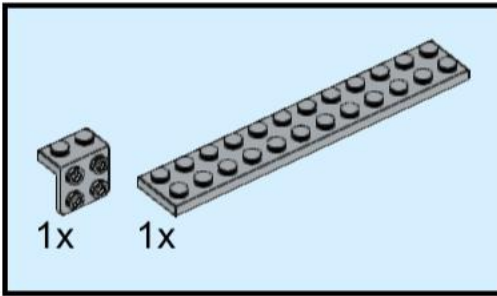
For later use (step 198):
Attachment points for
dome walls (4 total)

Dome Walls

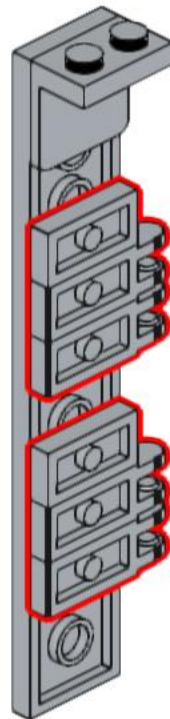
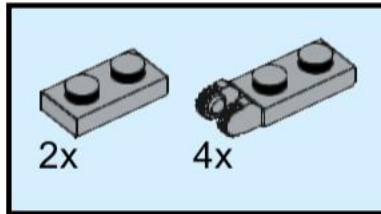
121



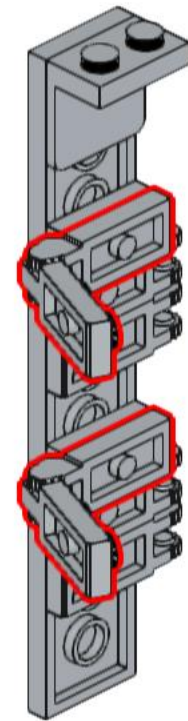
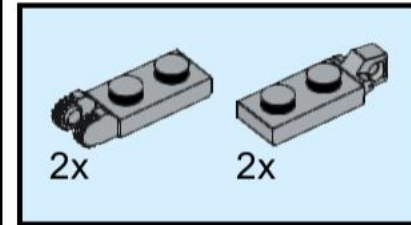
122



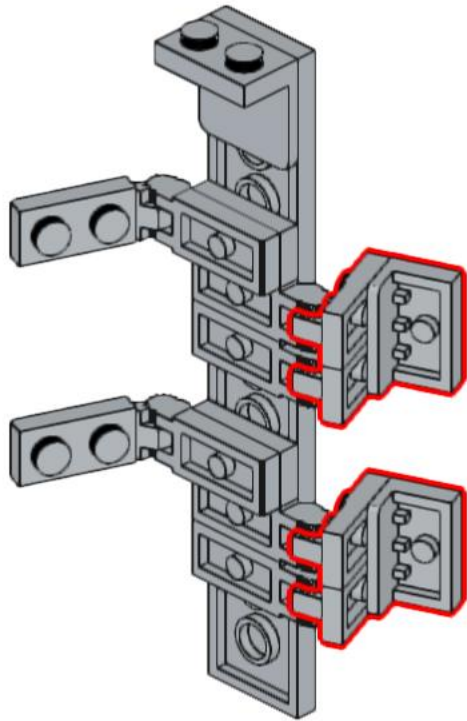
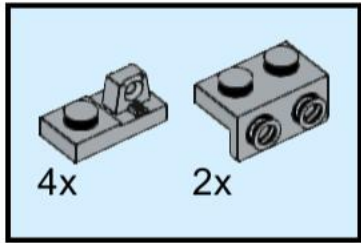
123



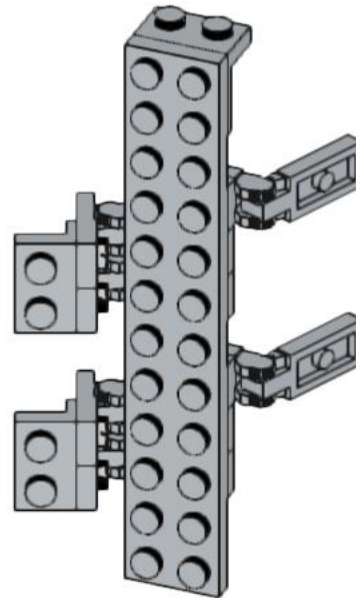
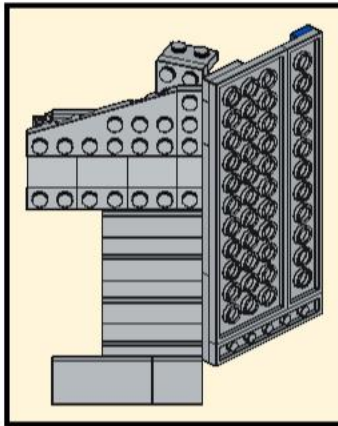
124



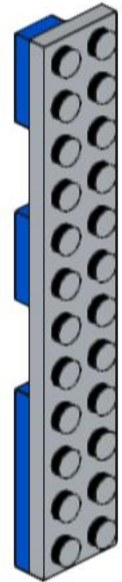
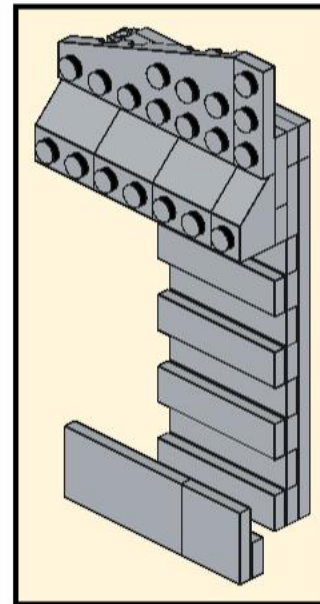
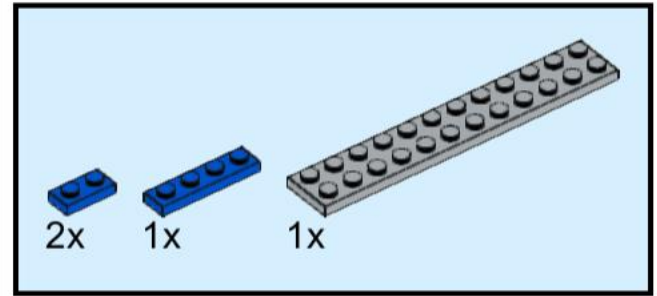
125



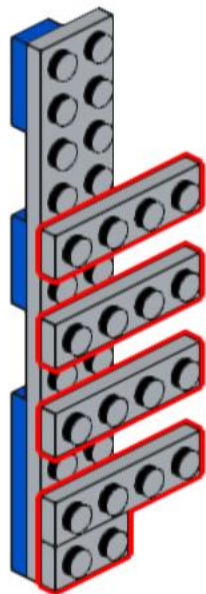
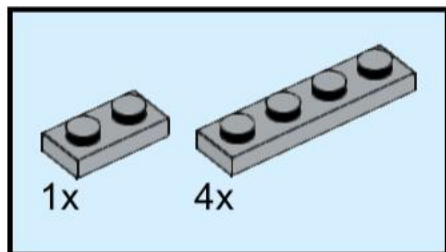
126



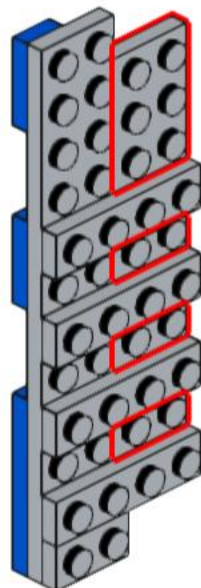
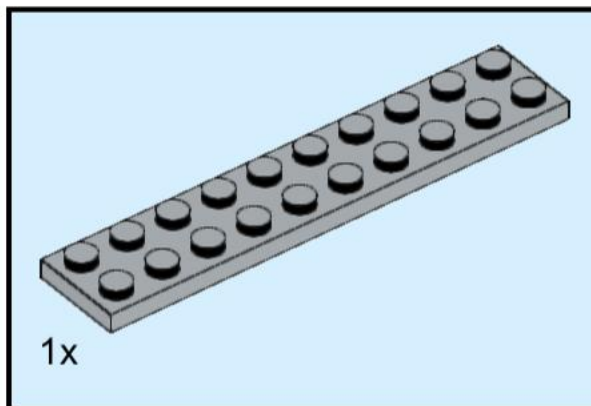
127



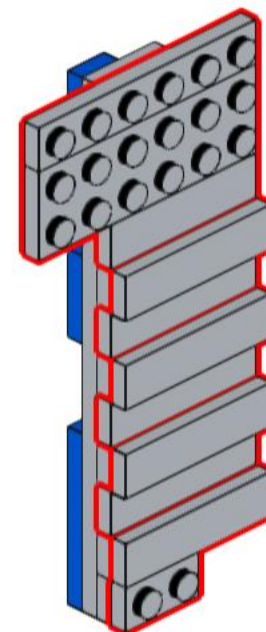
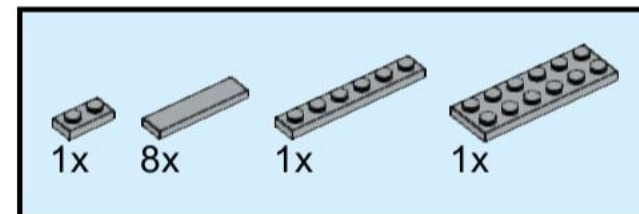
128



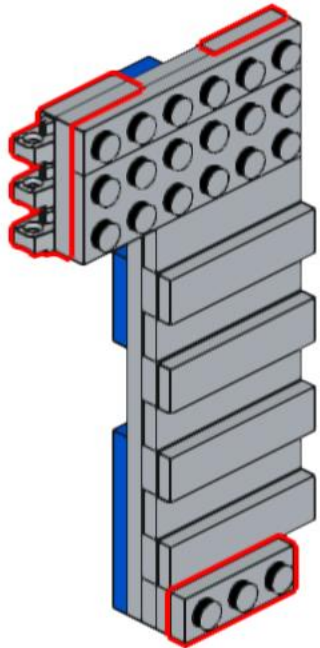
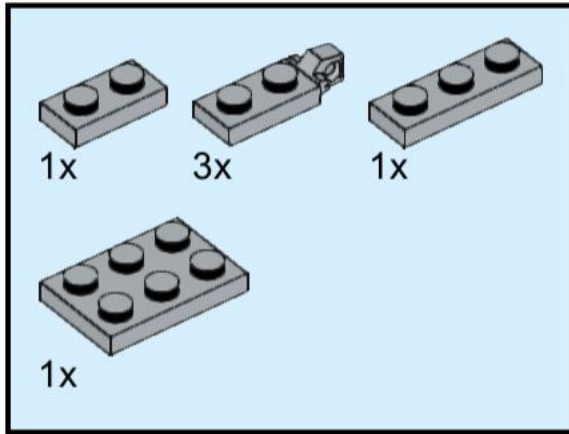
129



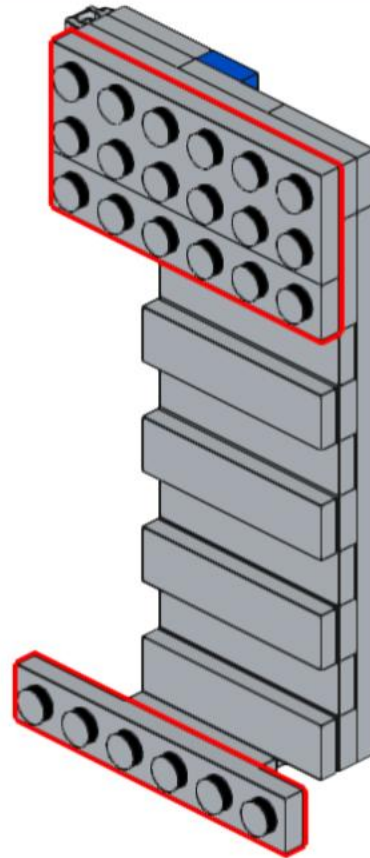
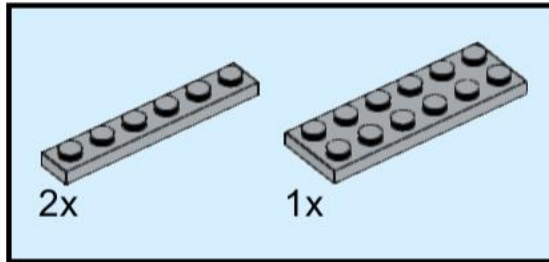
130



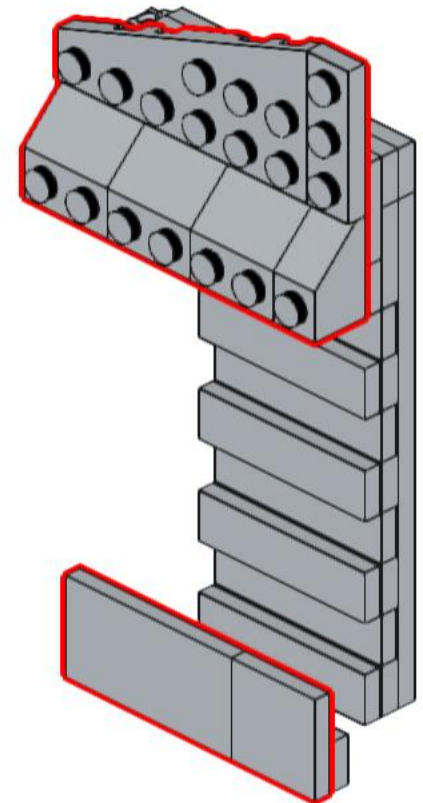
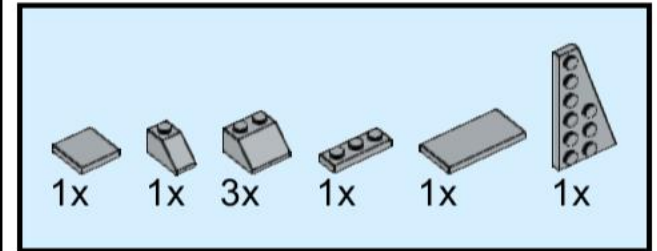
131



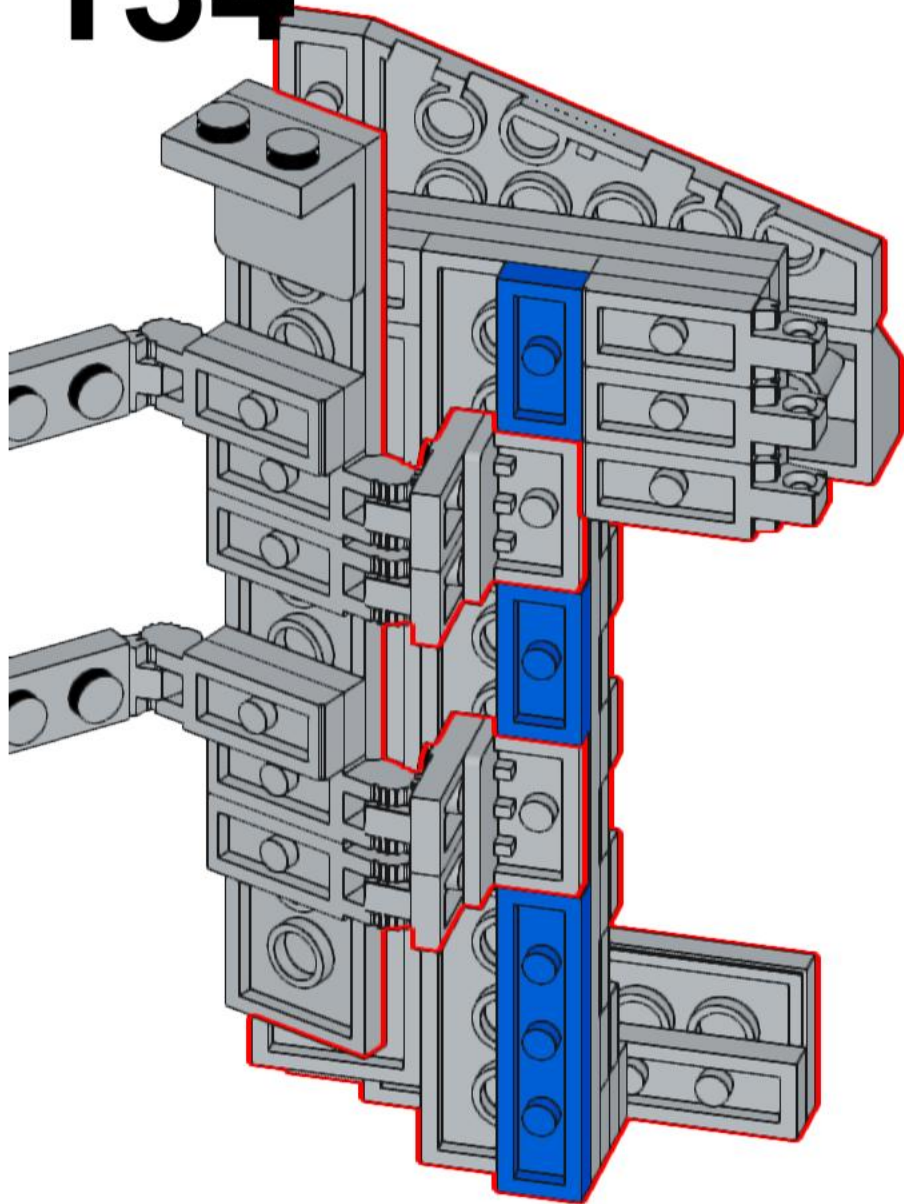
132



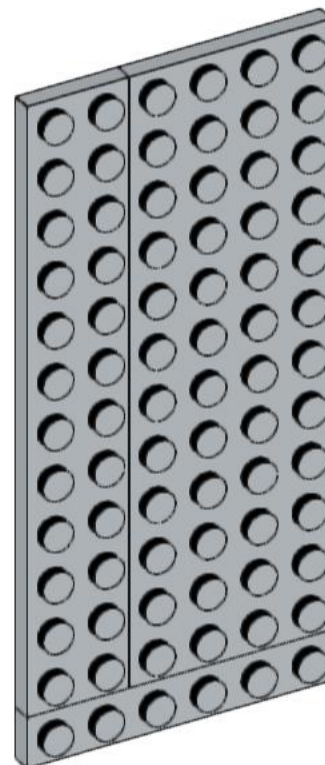
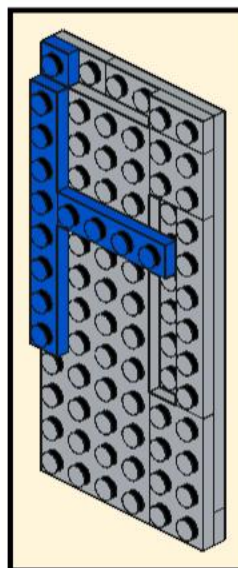
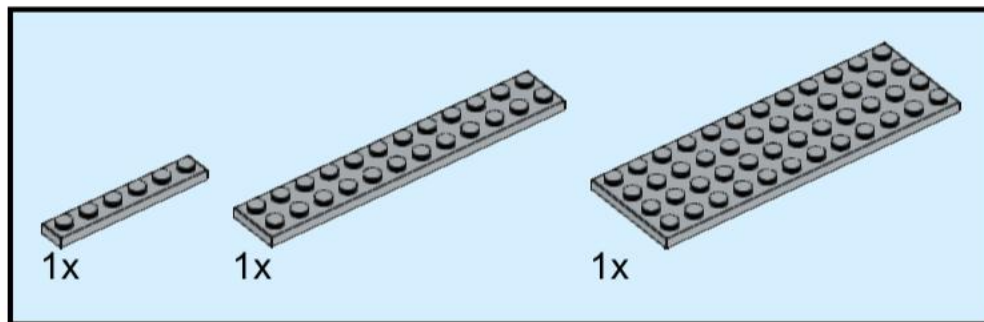
133



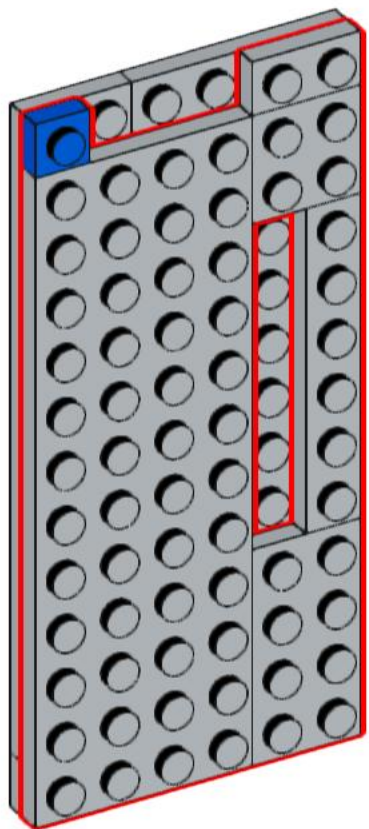
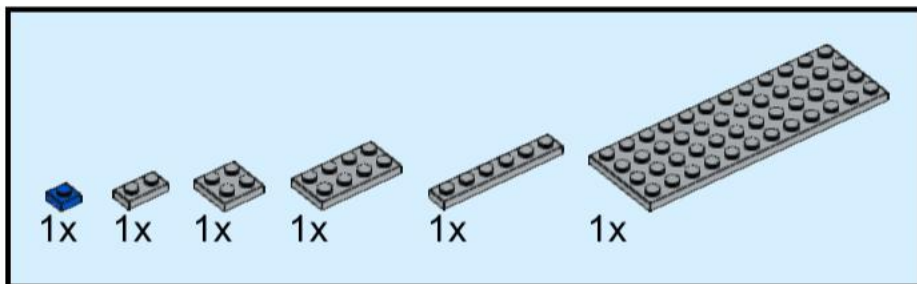
134



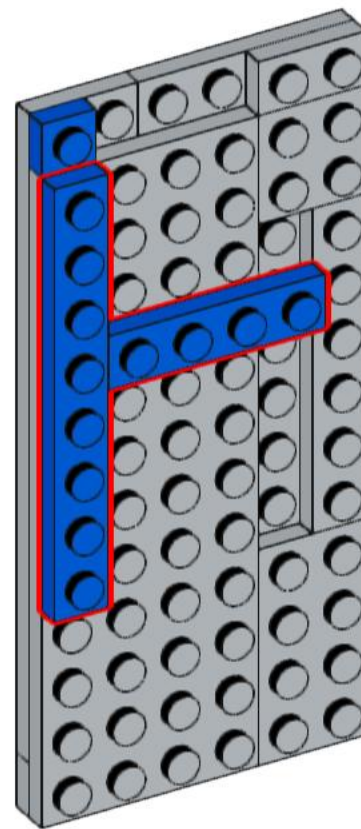
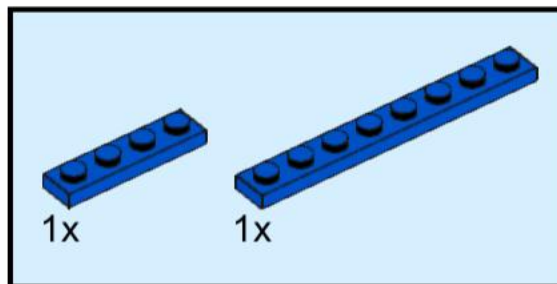
135



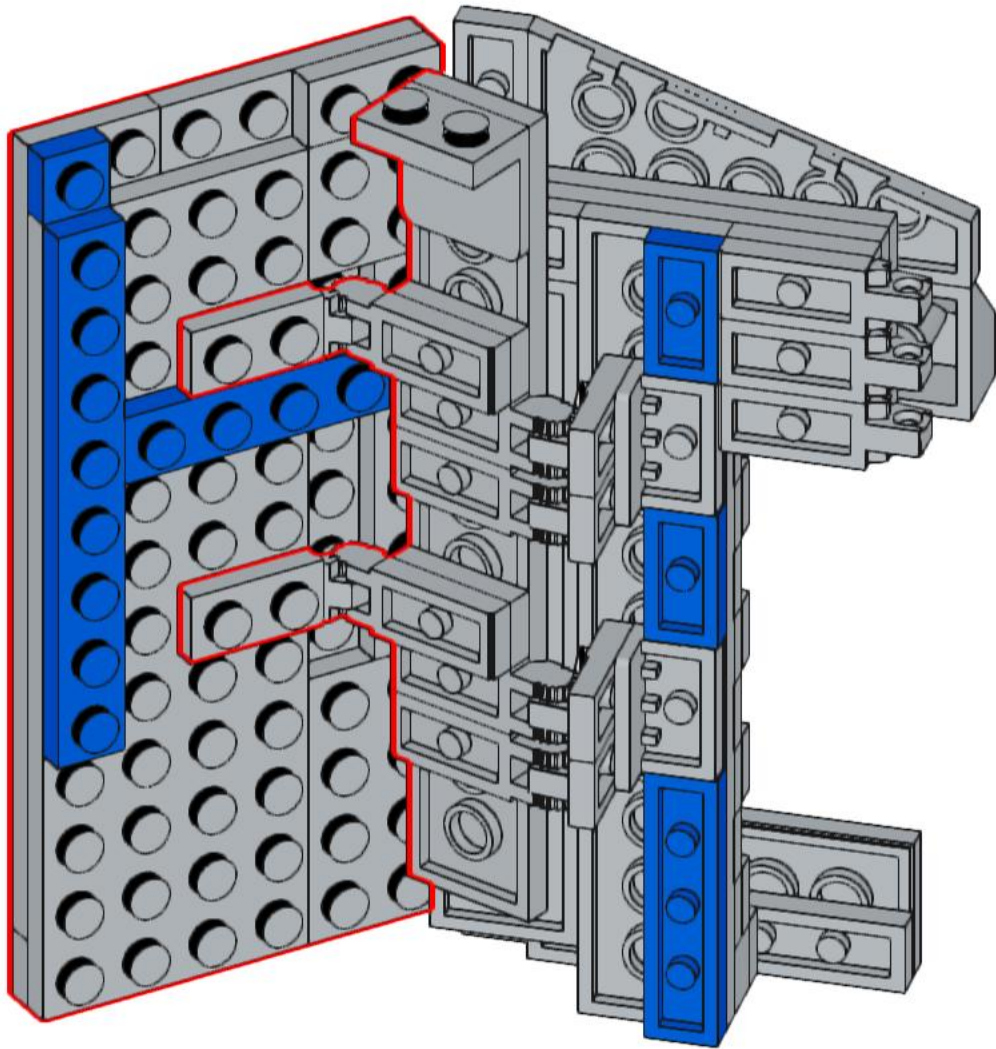
136



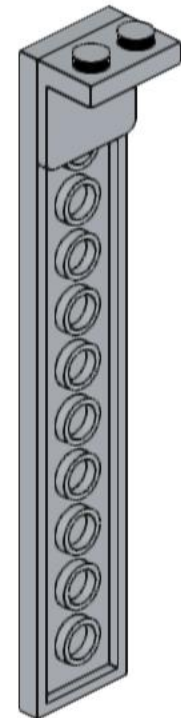
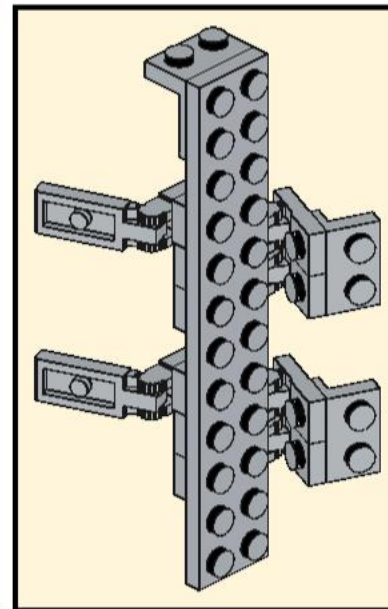
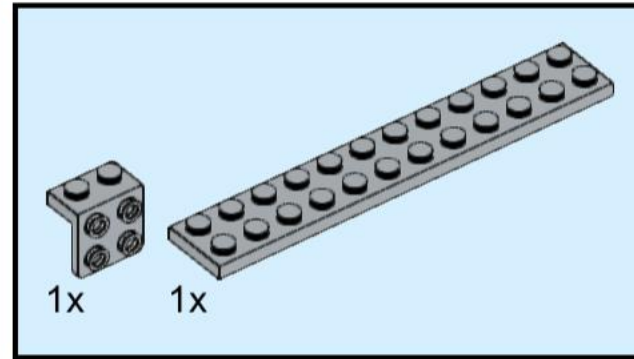
137



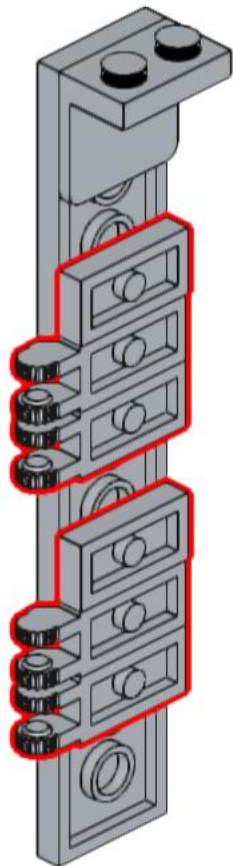
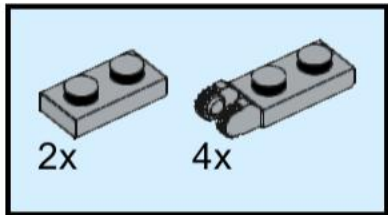
138



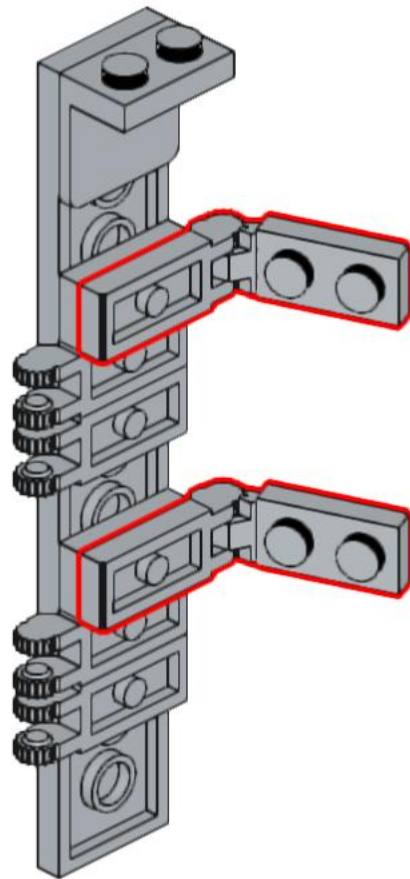
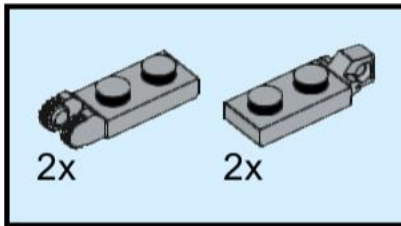
139



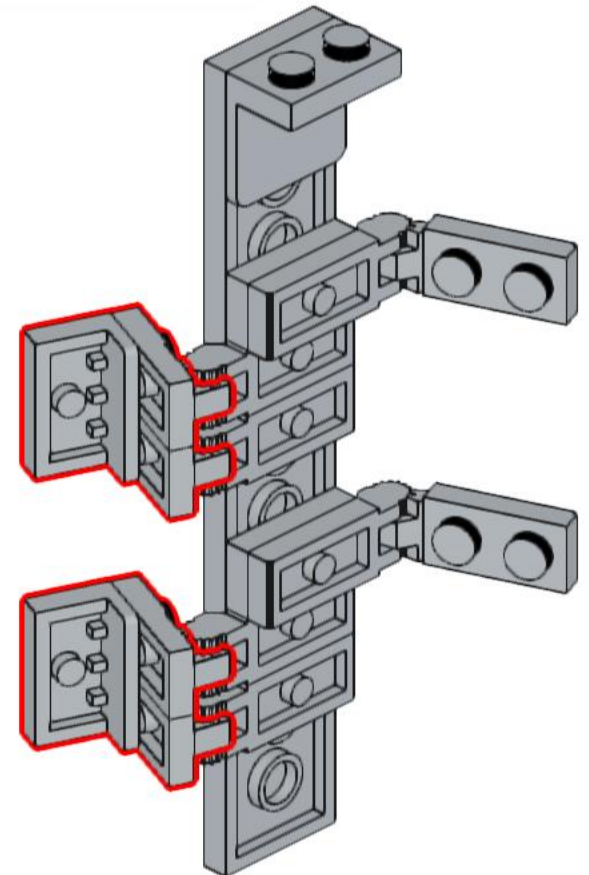
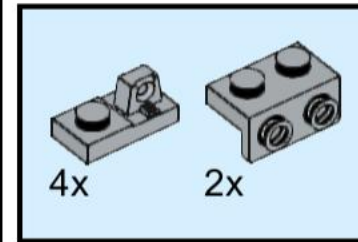
140



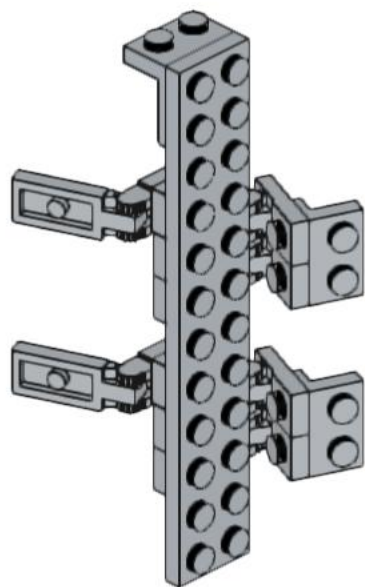
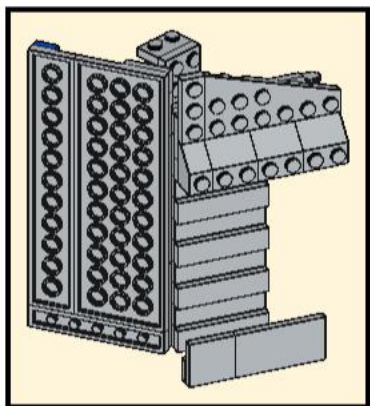
141



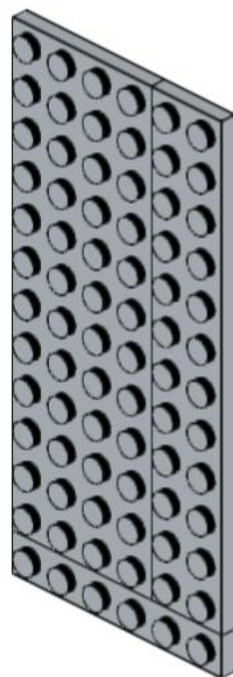
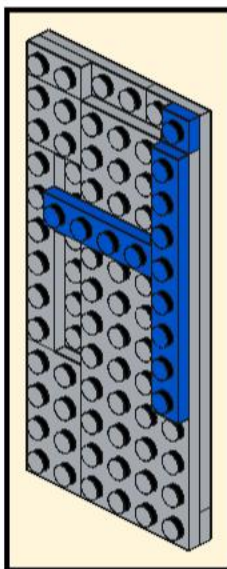
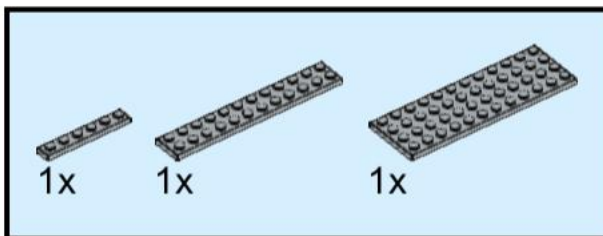
142



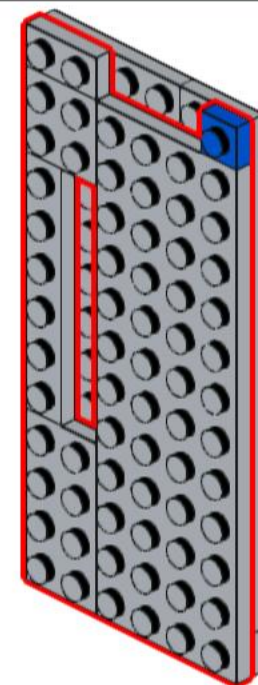
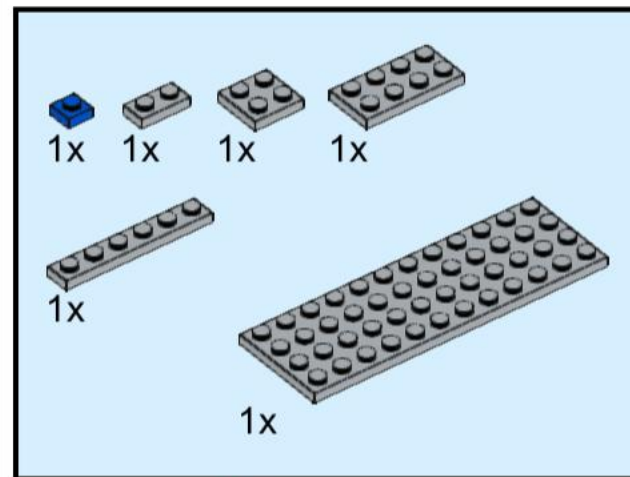
143



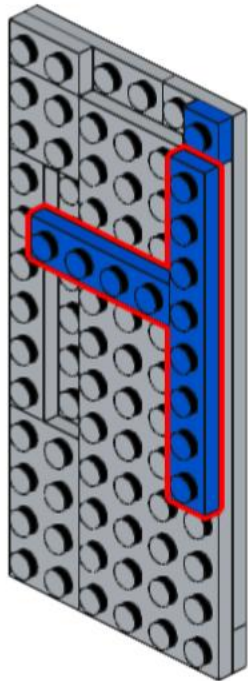
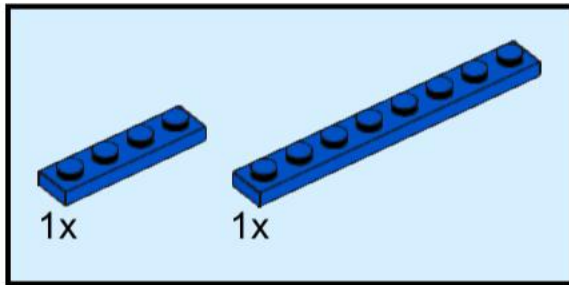
144



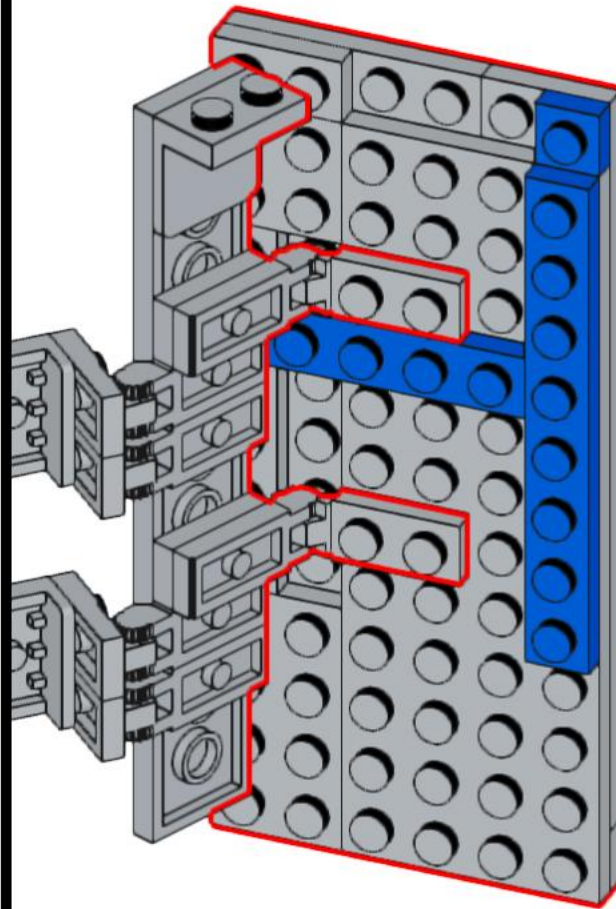
145



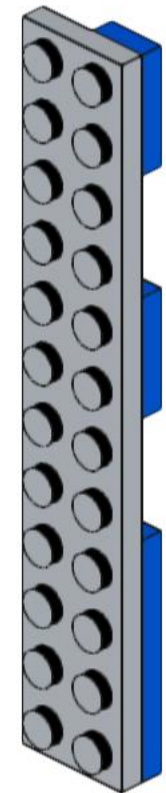
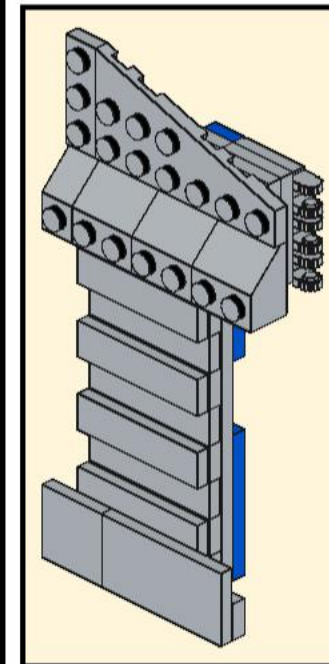
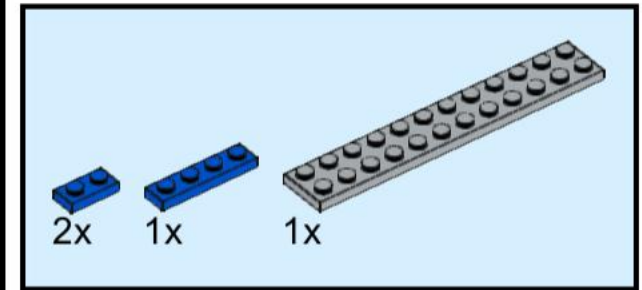
146



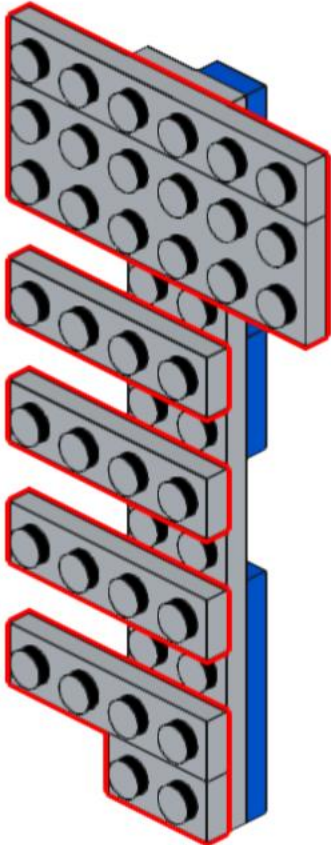
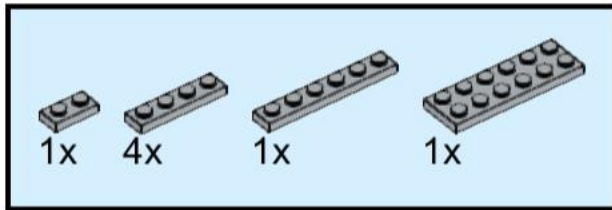
147



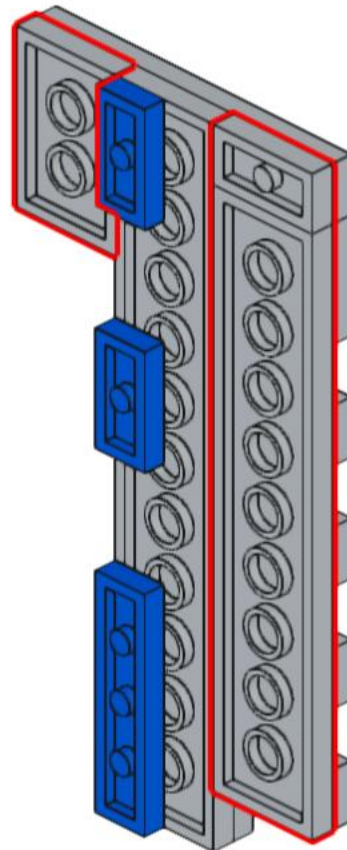
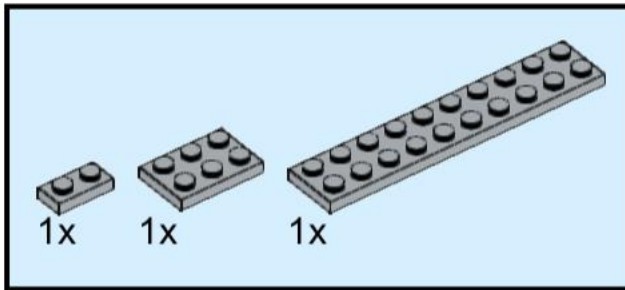
148



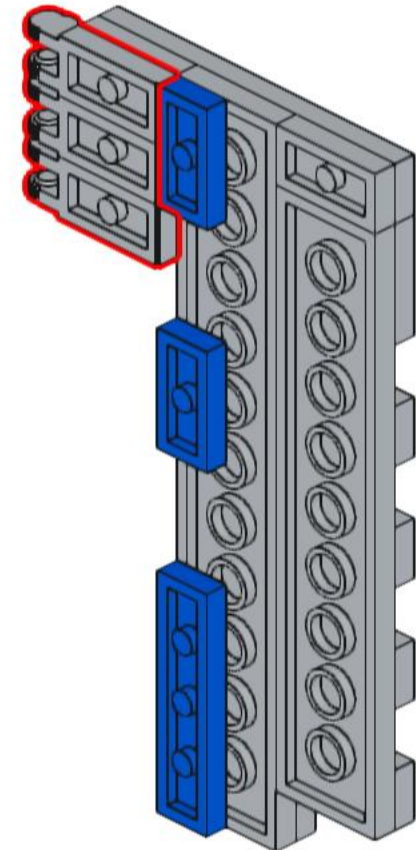
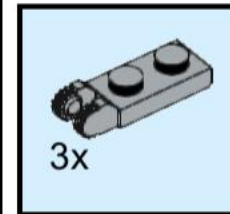
149



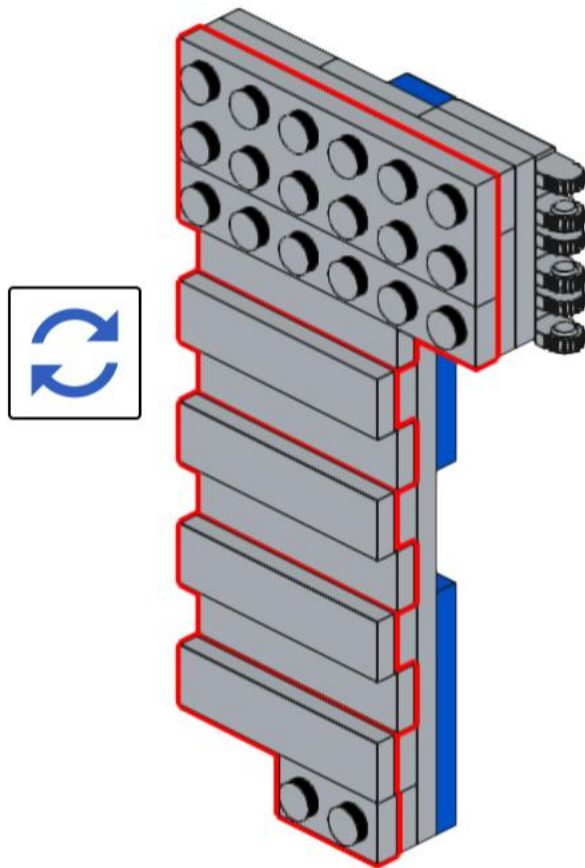
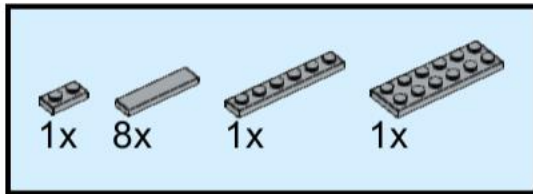
150



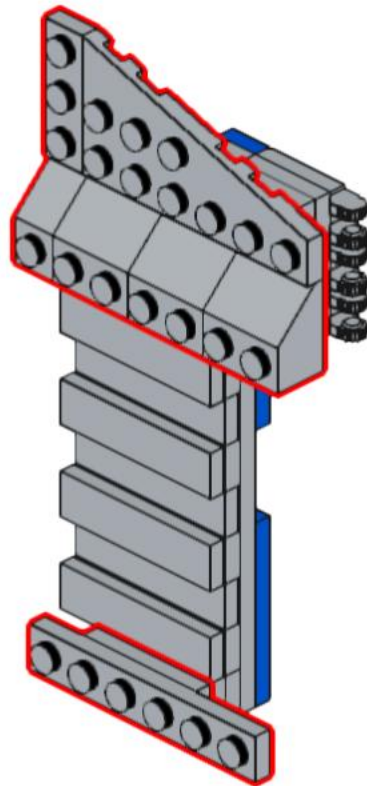
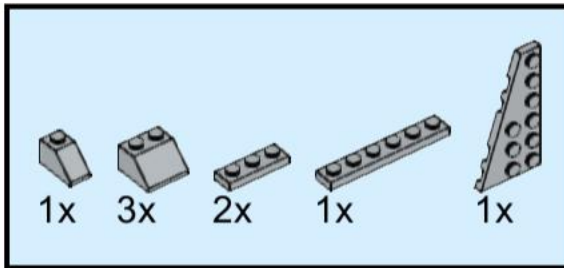
151



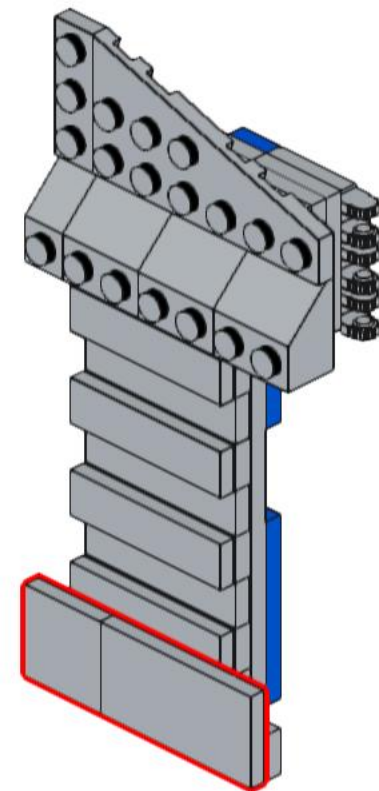
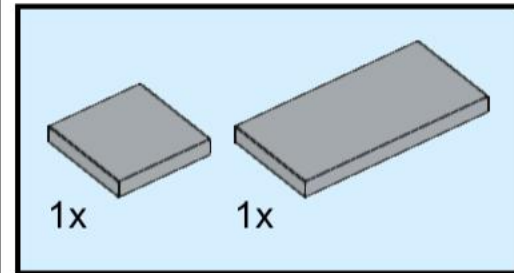
152



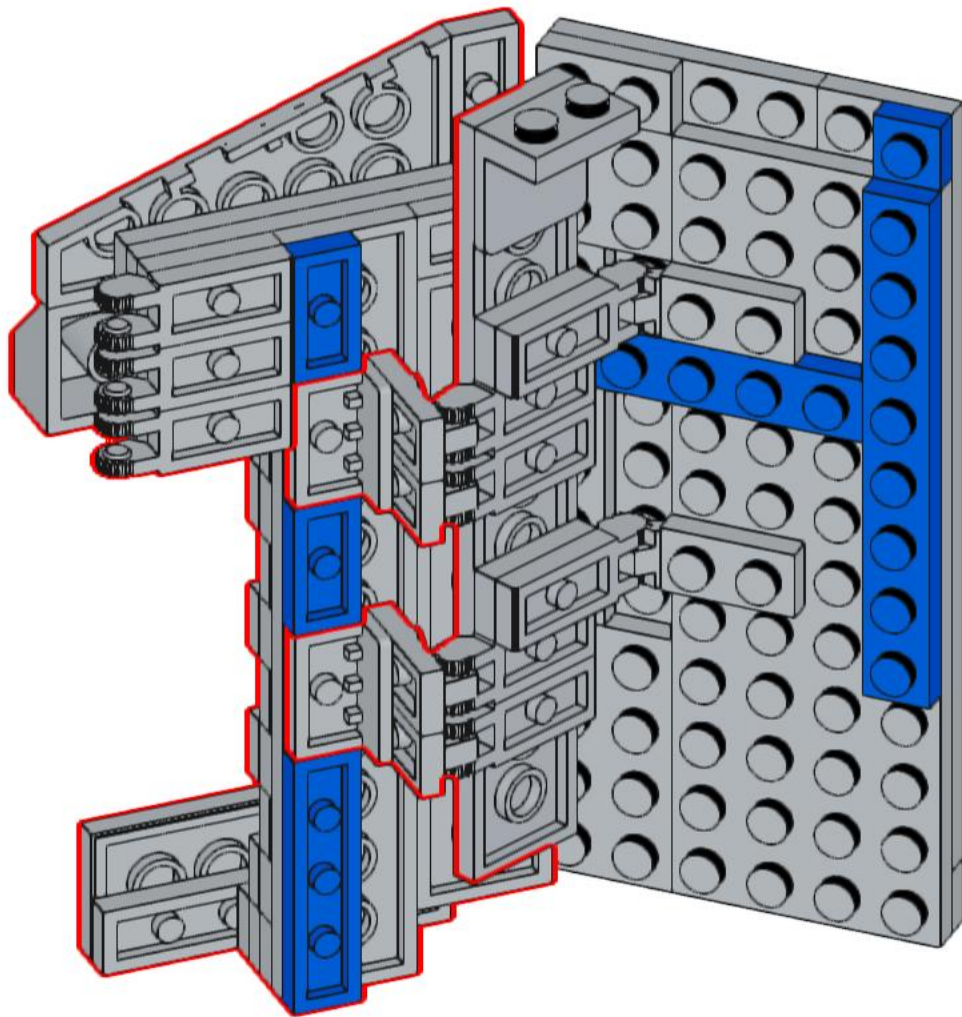
153



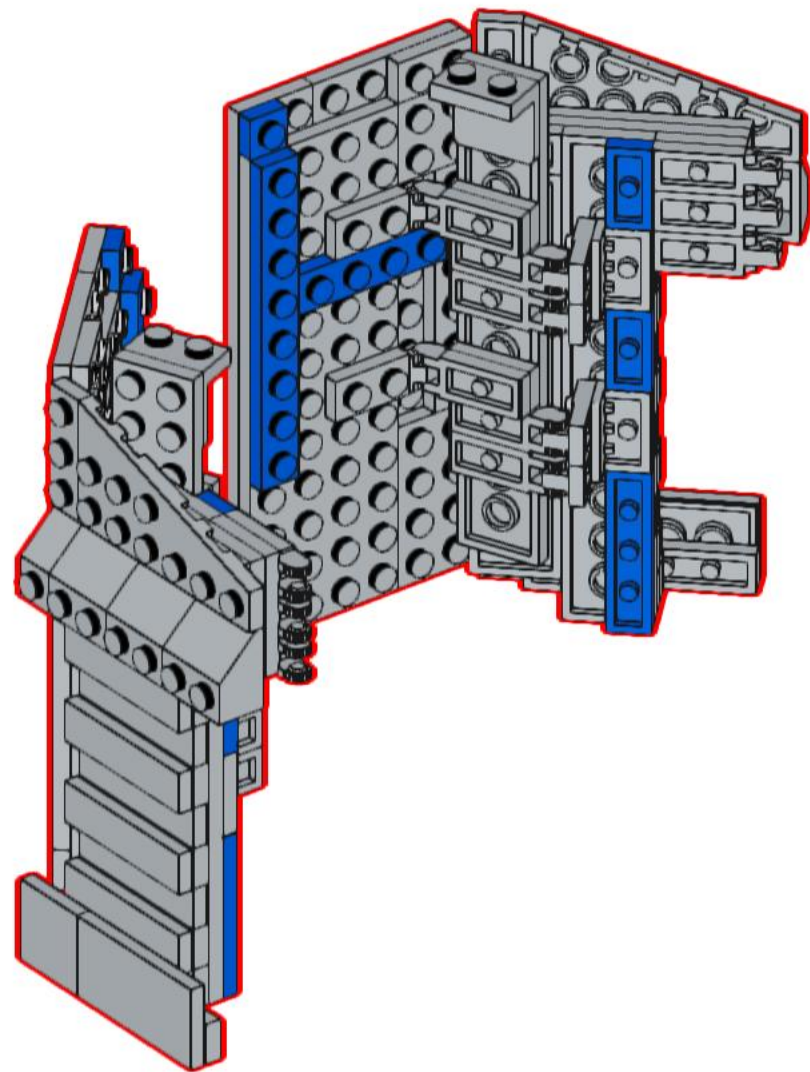
154



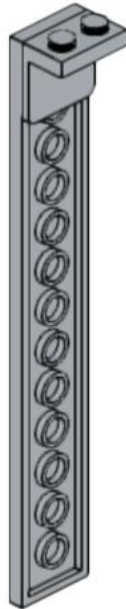
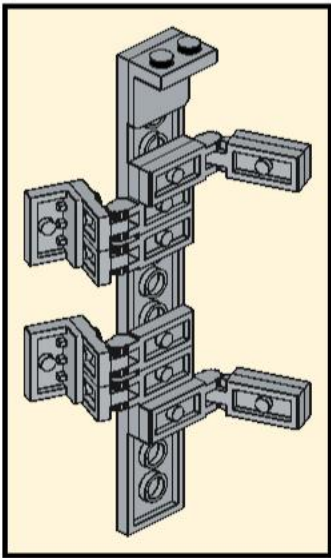
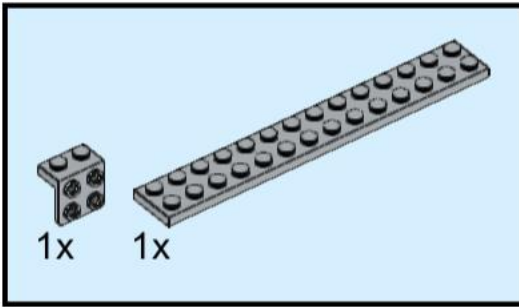
155



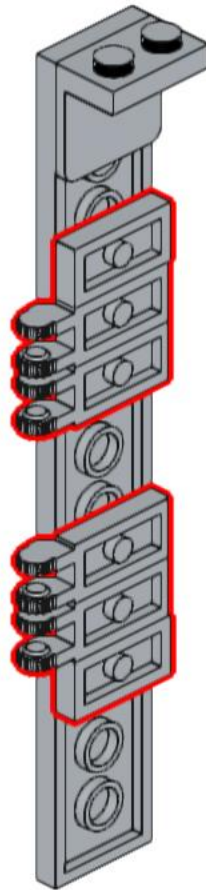
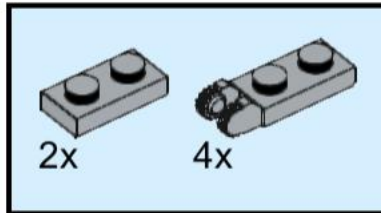
156



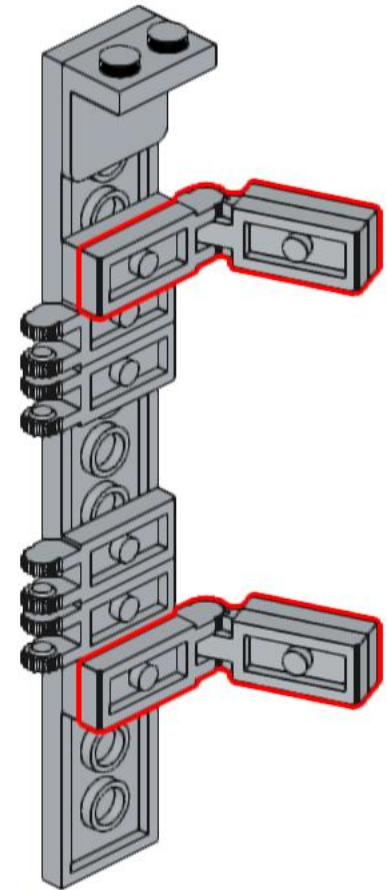
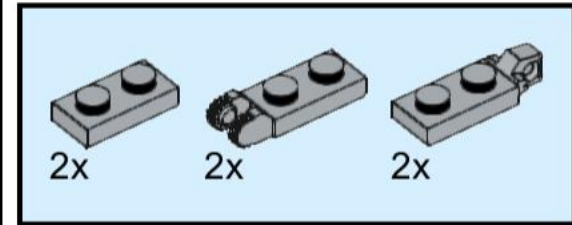
157



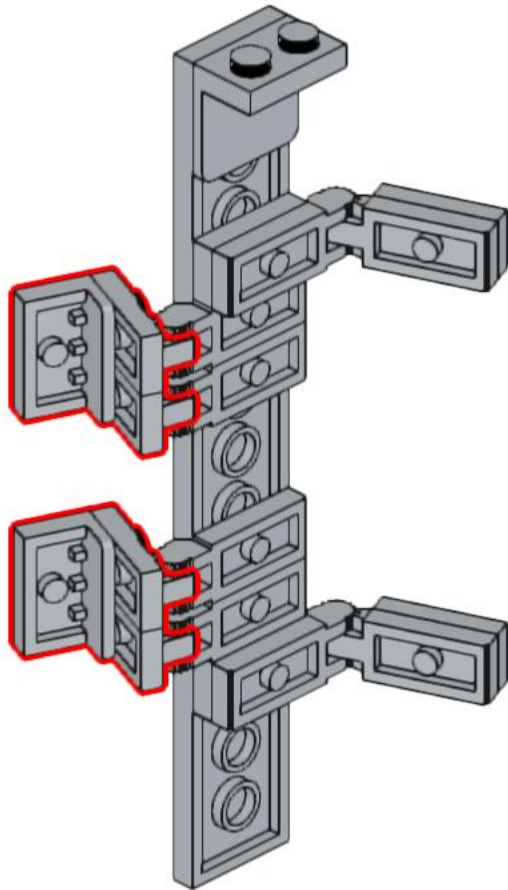
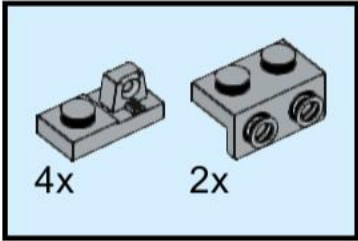
158



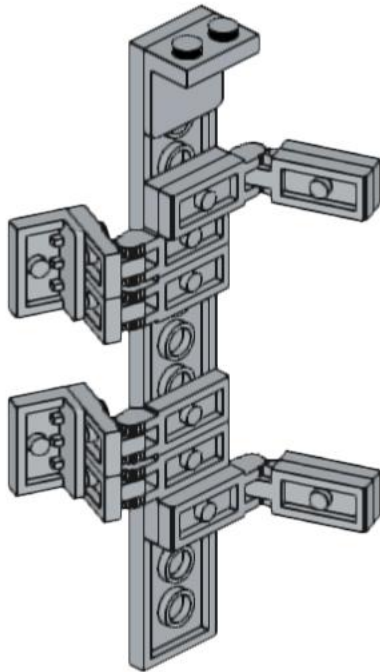
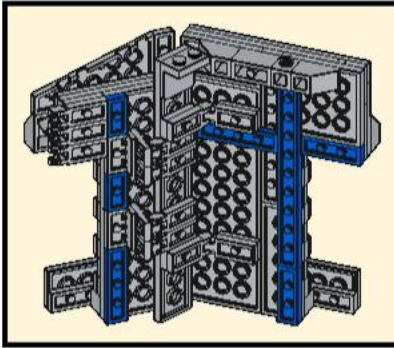
159



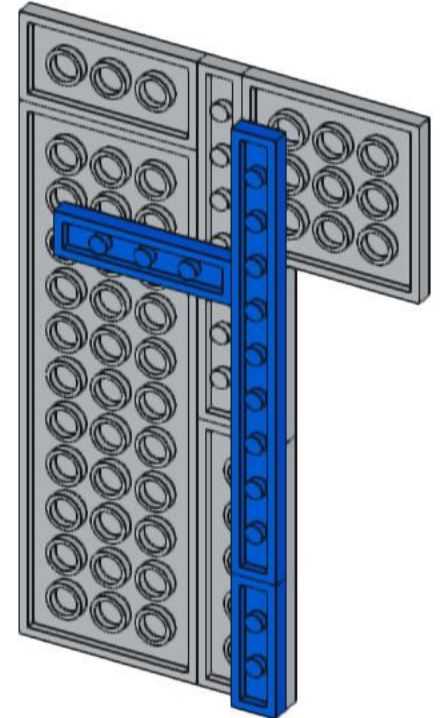
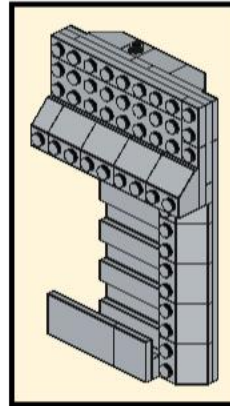
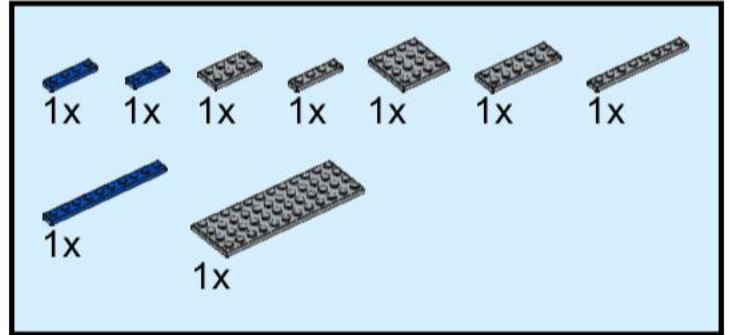
160



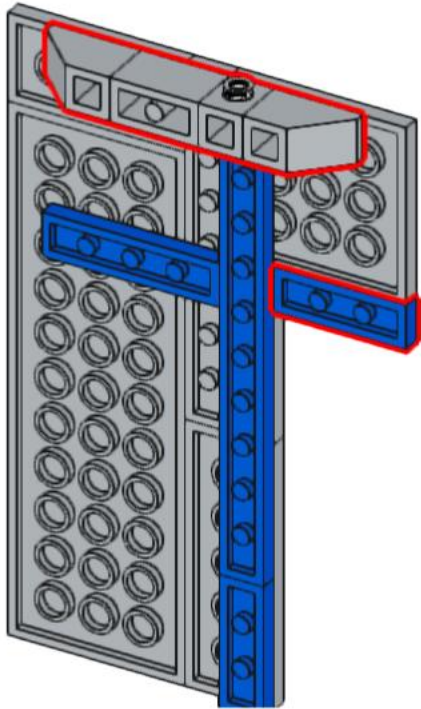
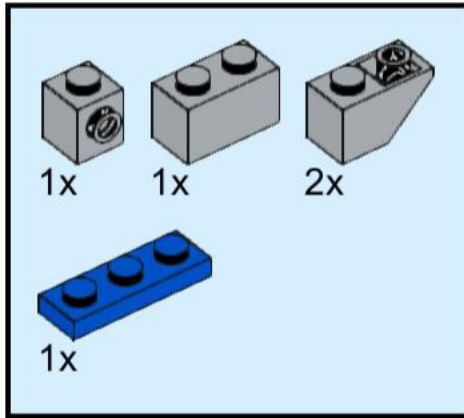
161



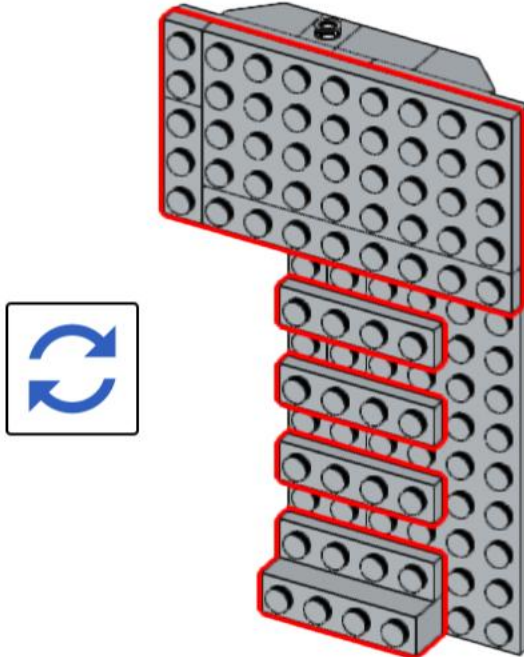
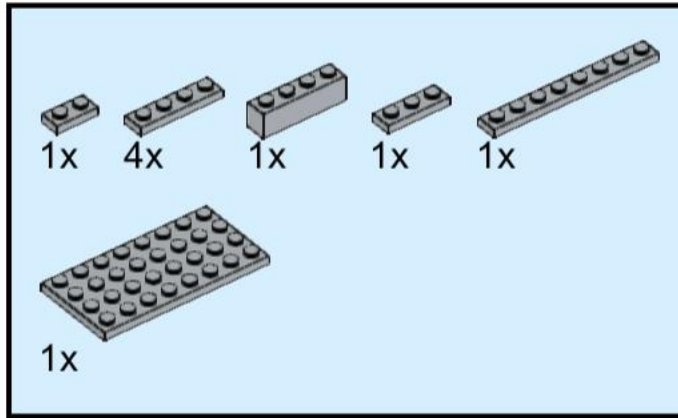
162



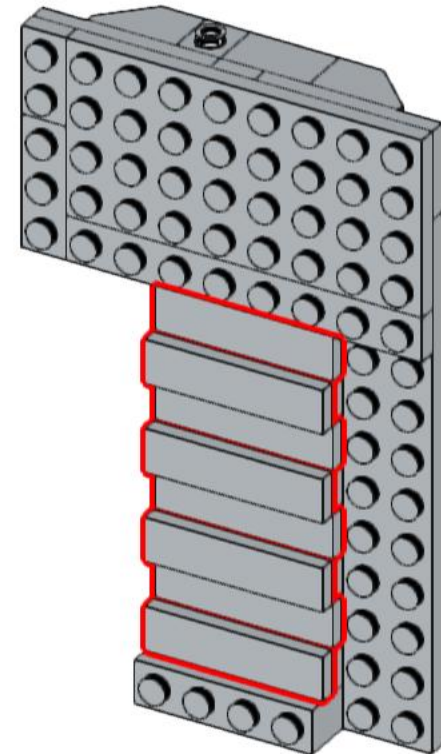
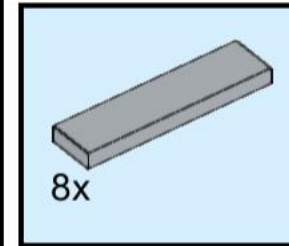
163



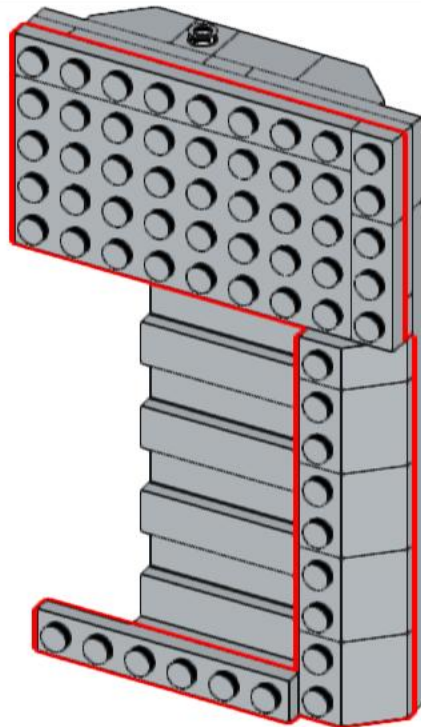
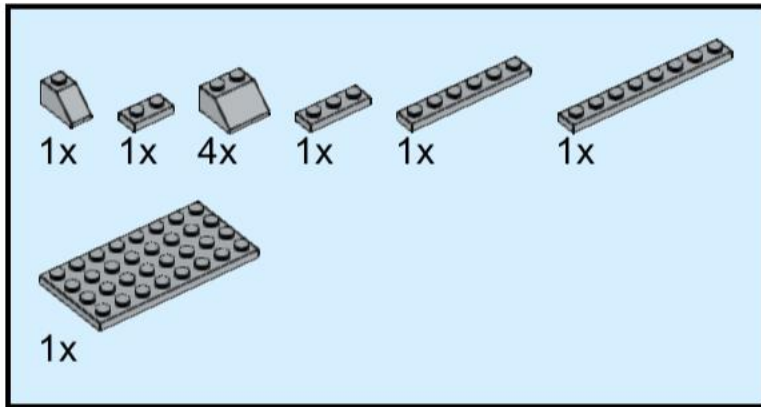
164



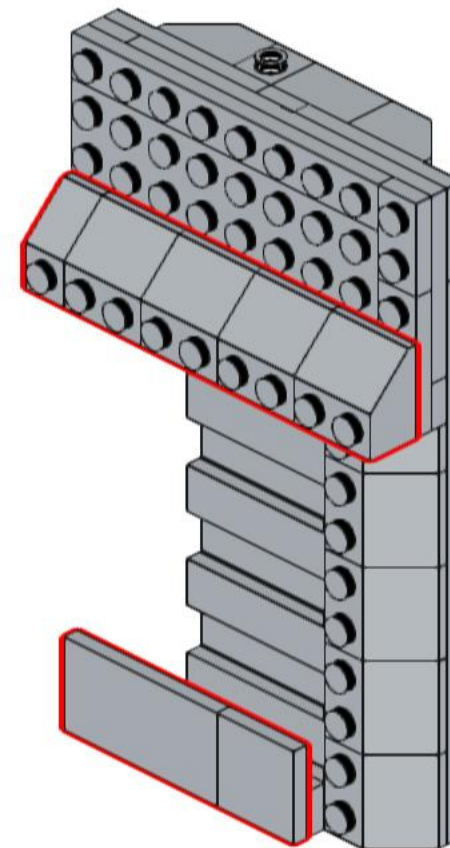
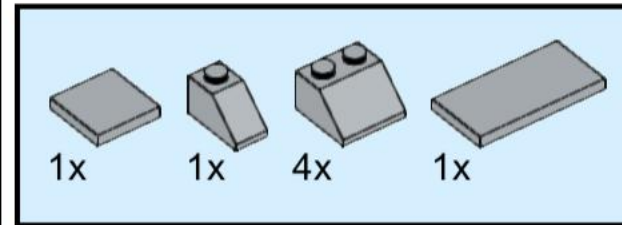
165



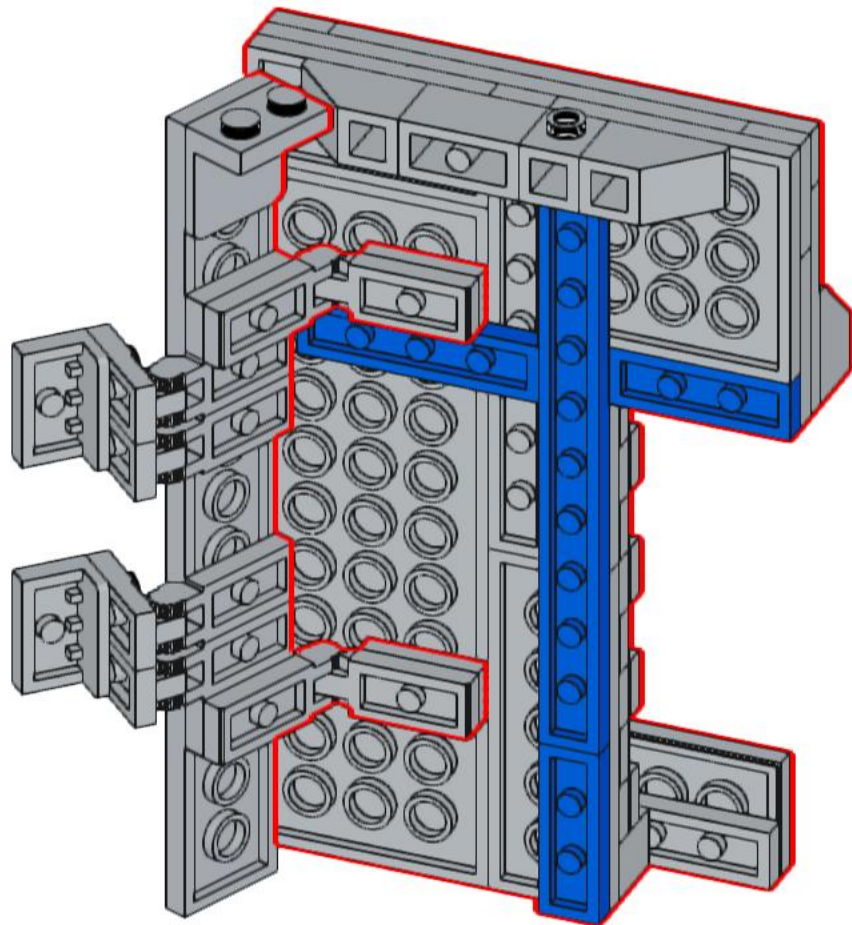
166



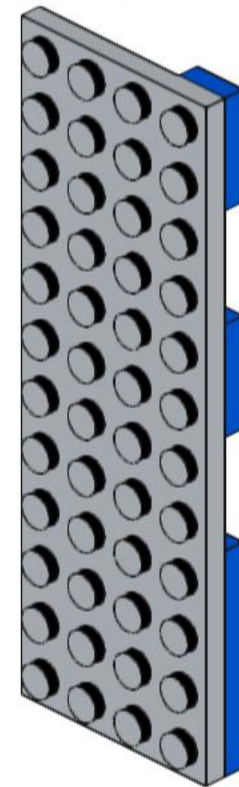
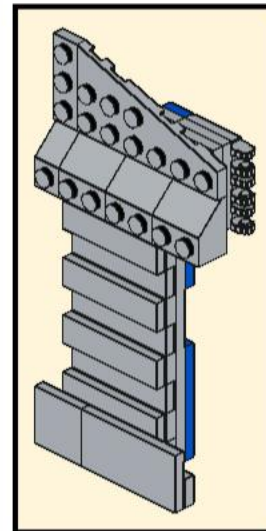
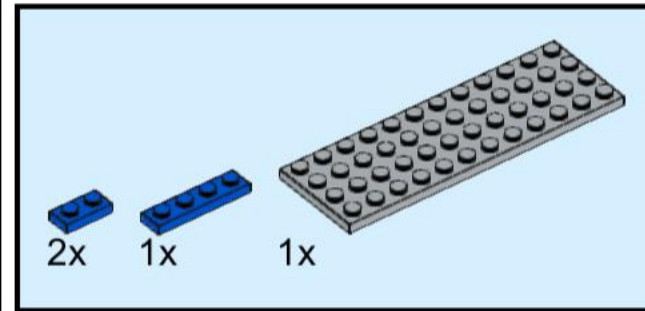
167



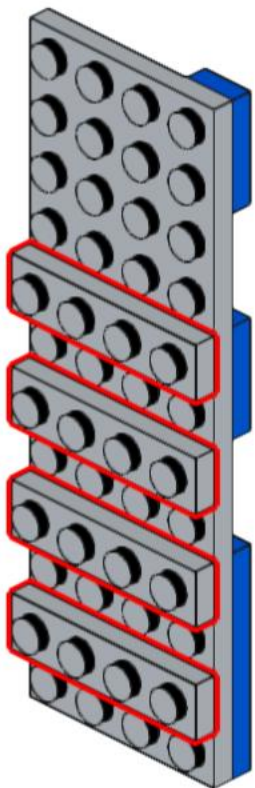
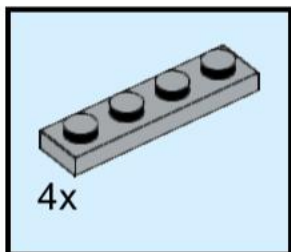
168



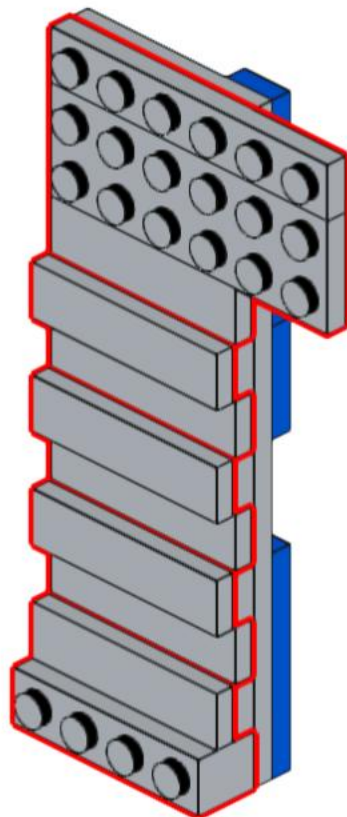
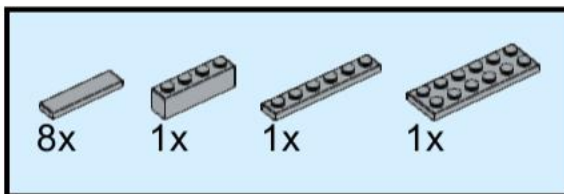
169



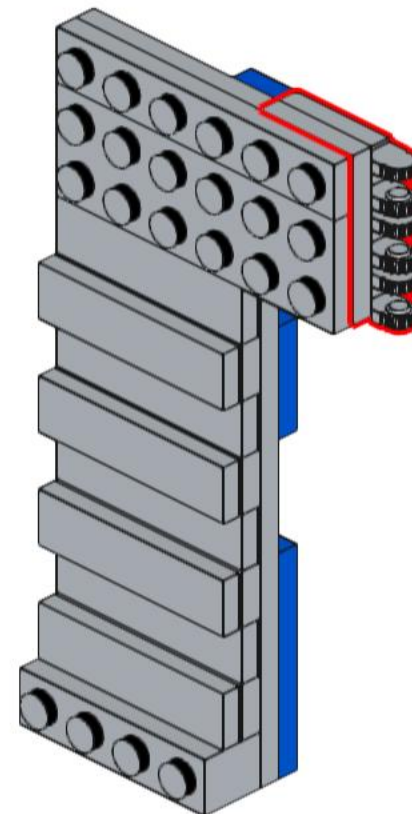
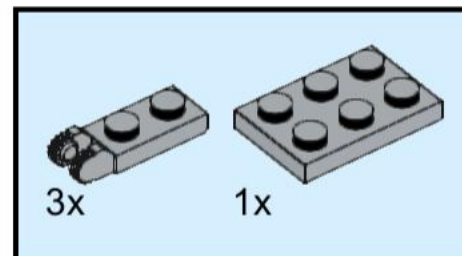
170



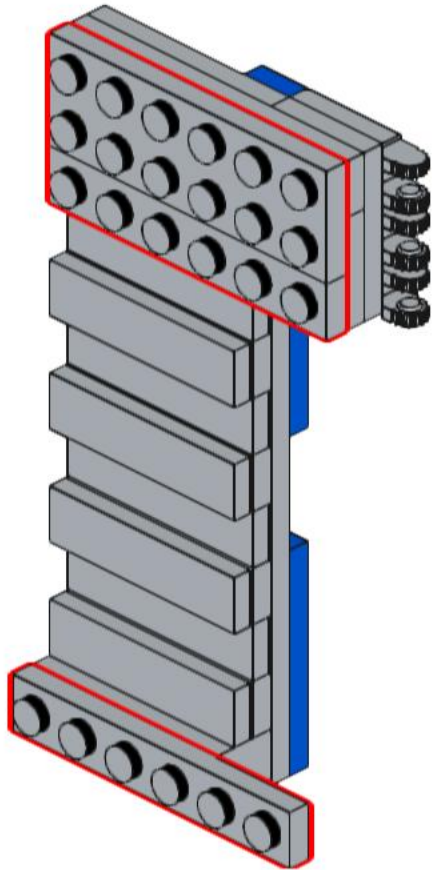
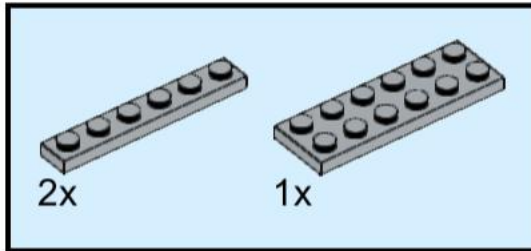
171



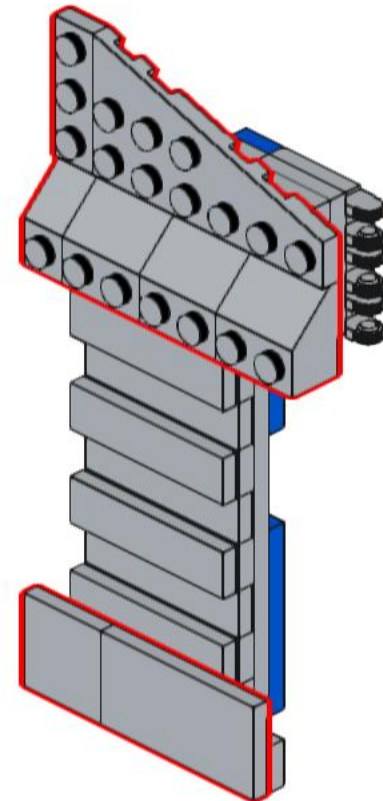
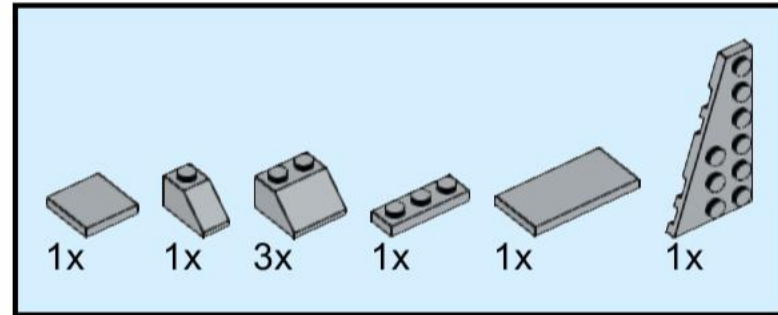
172



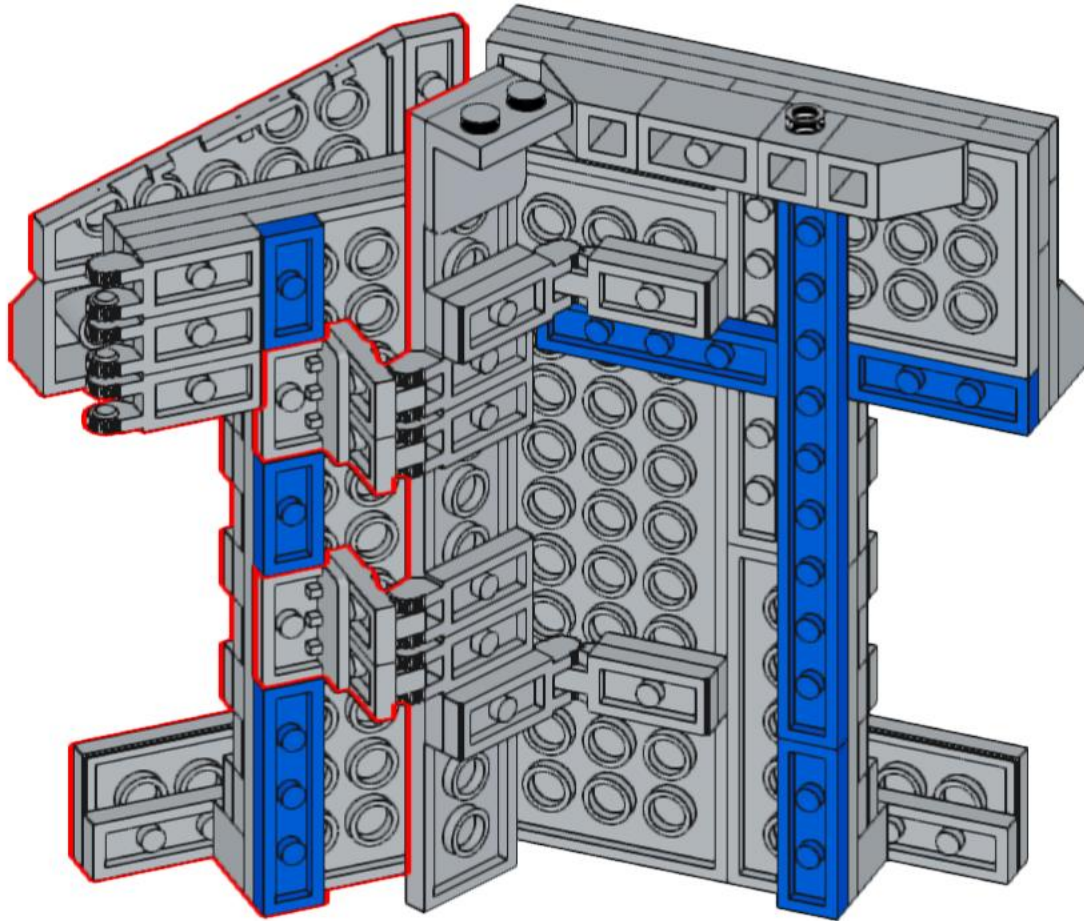
173



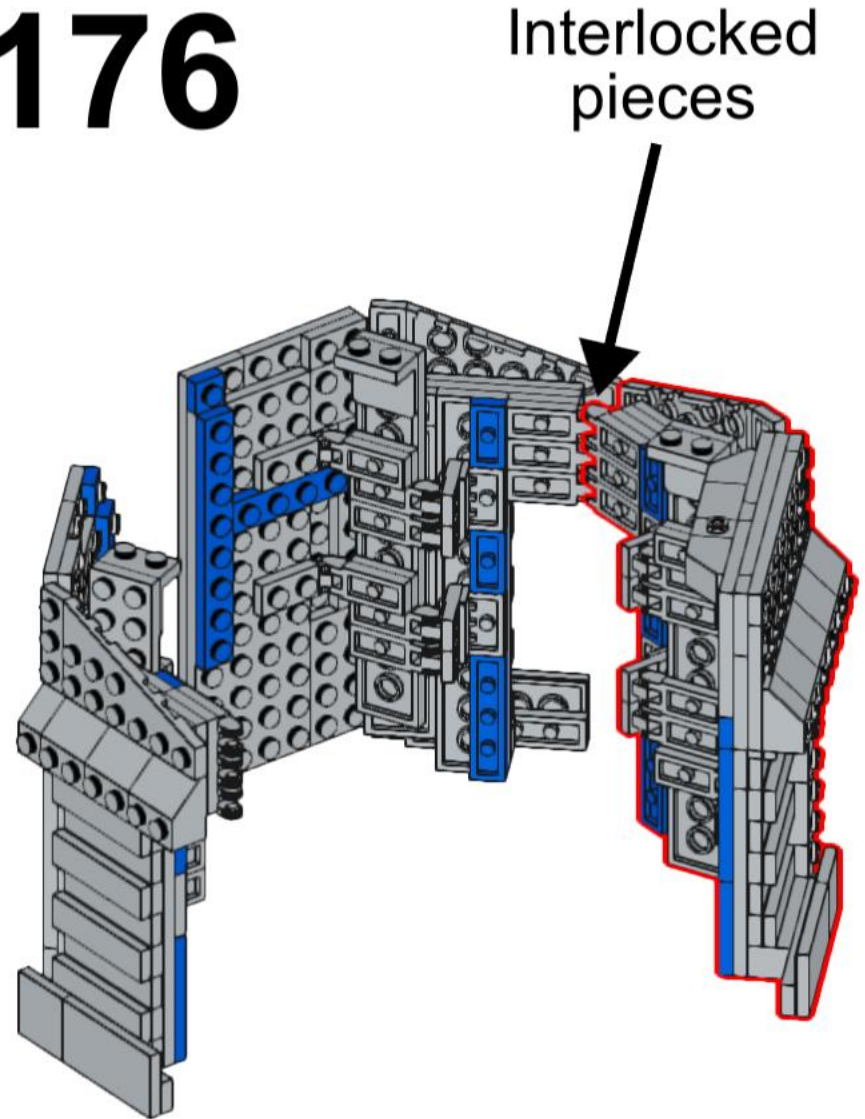
174



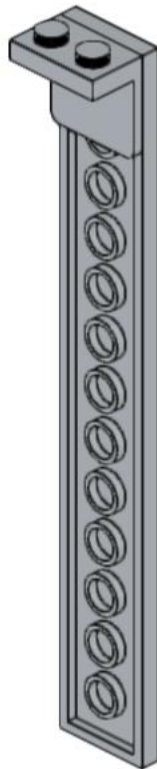
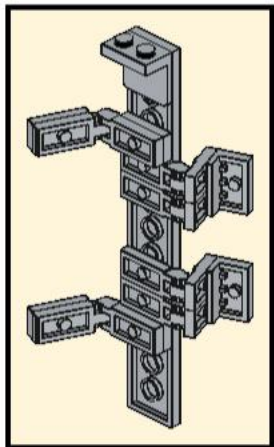
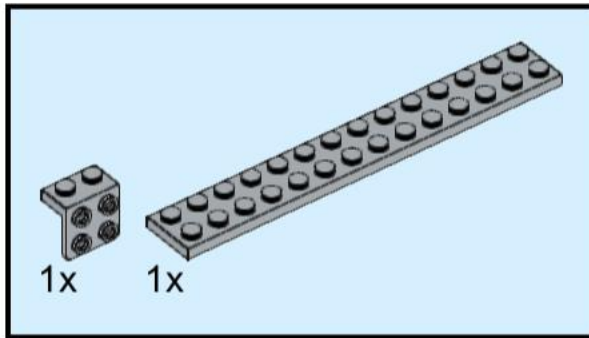
175



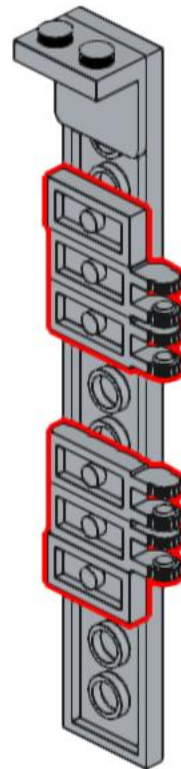
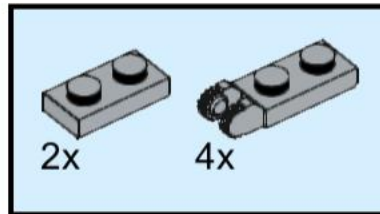
176



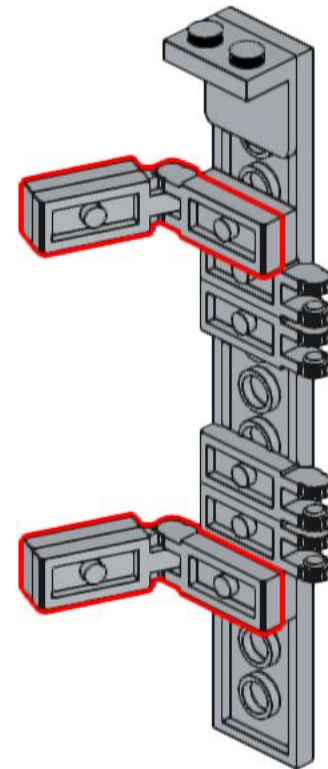
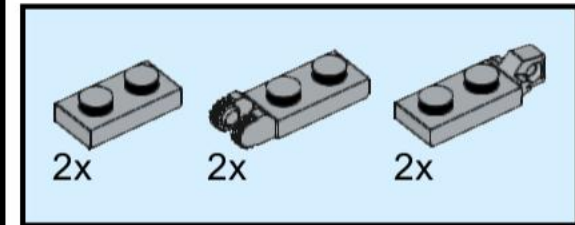
177



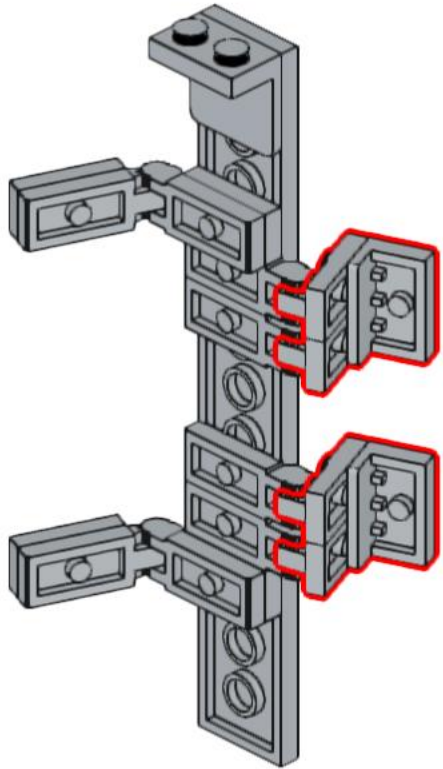
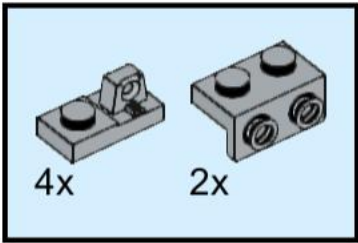
178



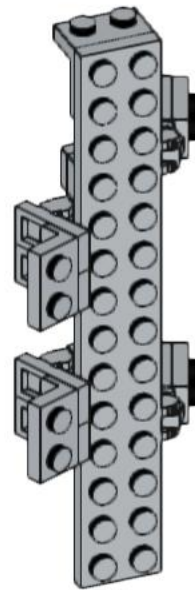
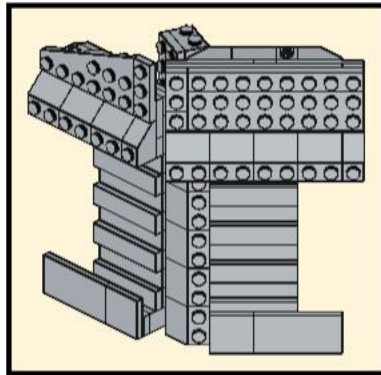
179



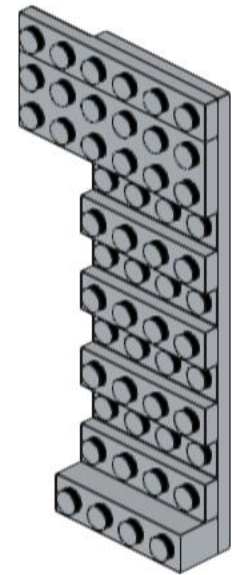
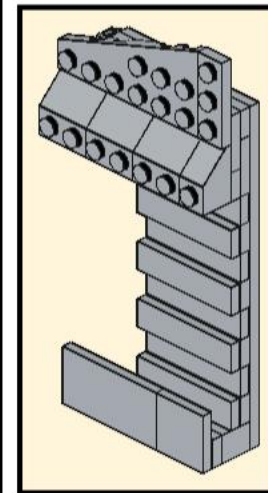
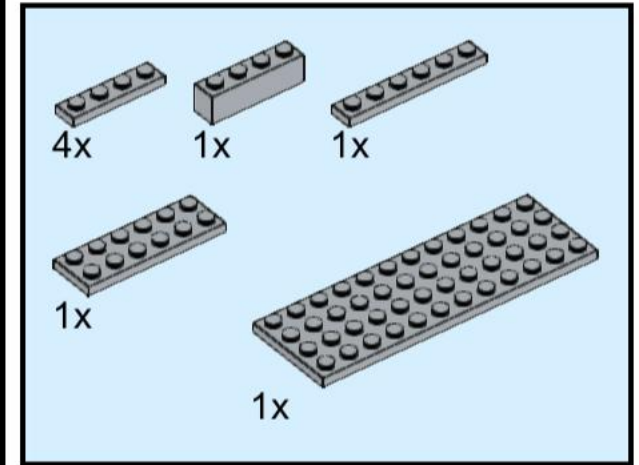
180



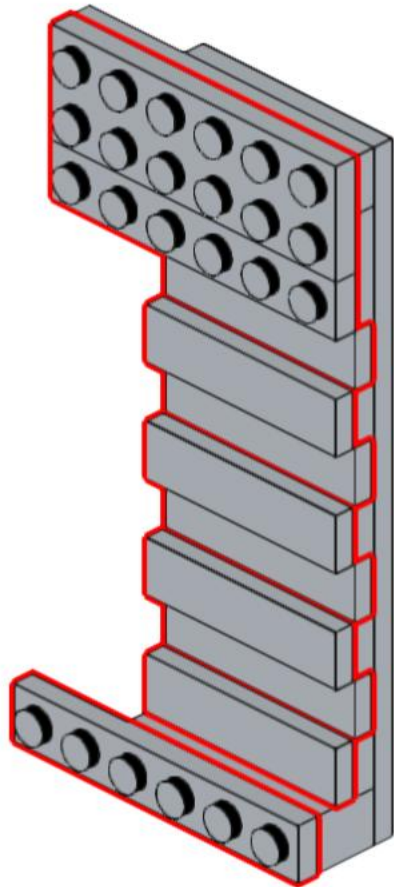
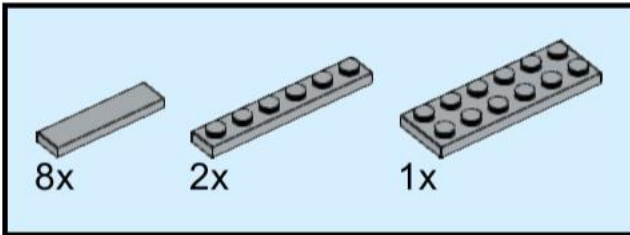
181



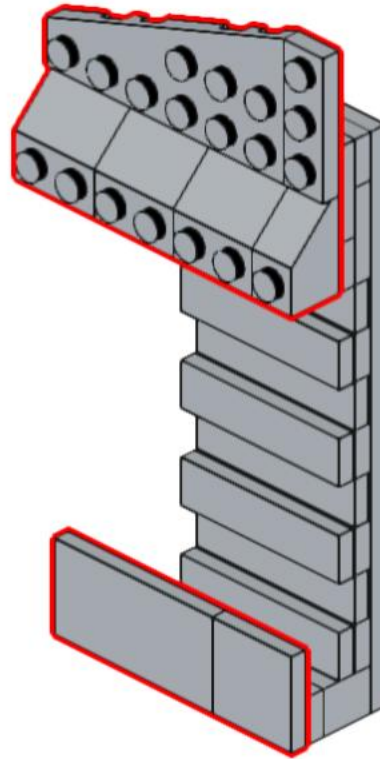
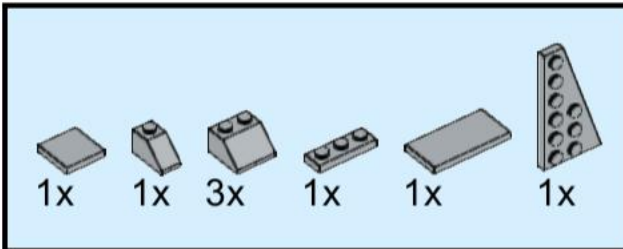
182



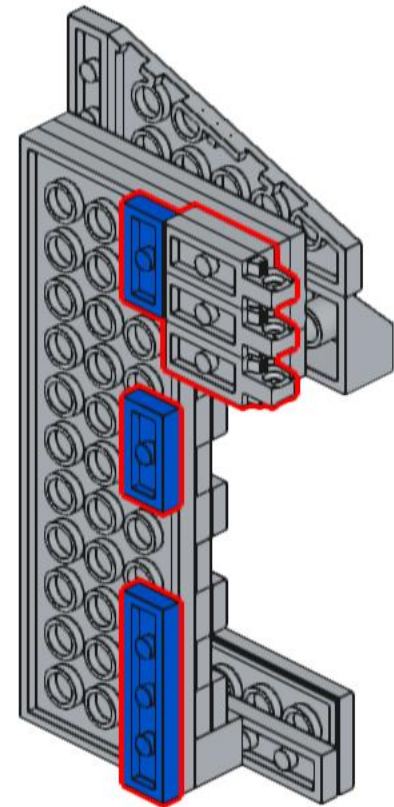
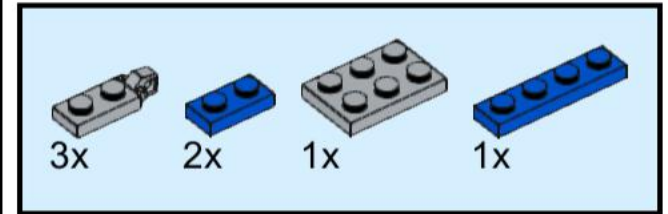
183



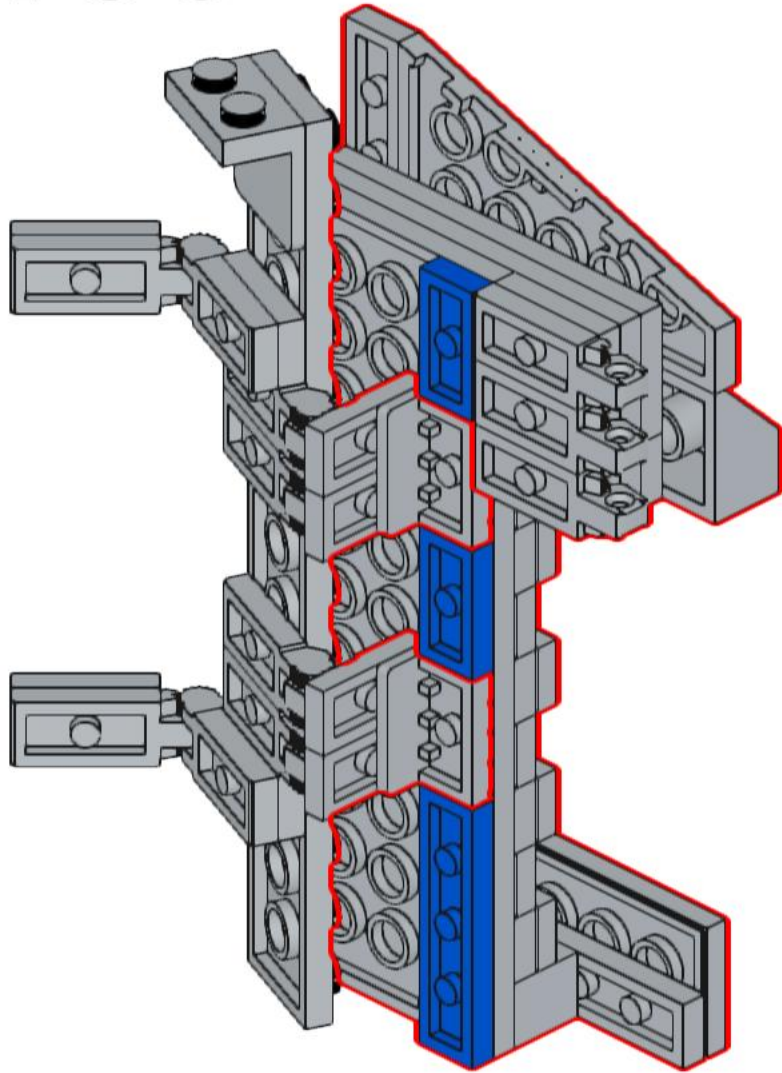
184



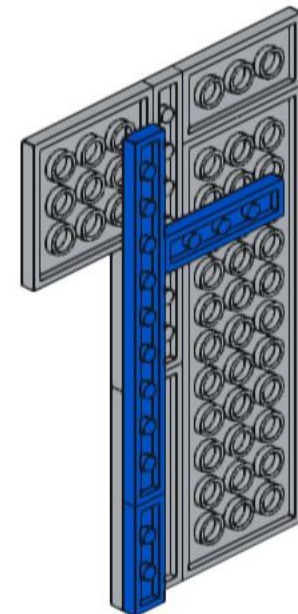
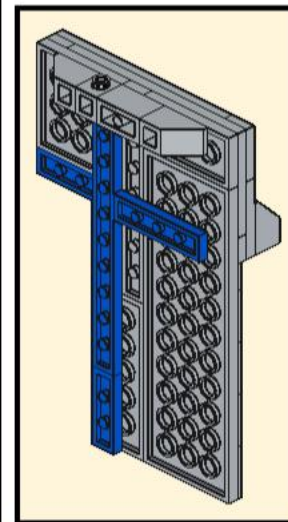
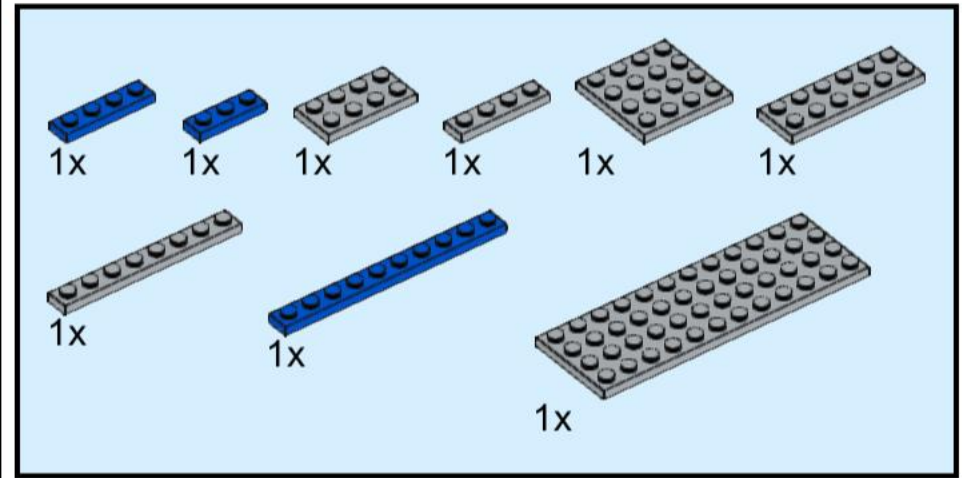
185



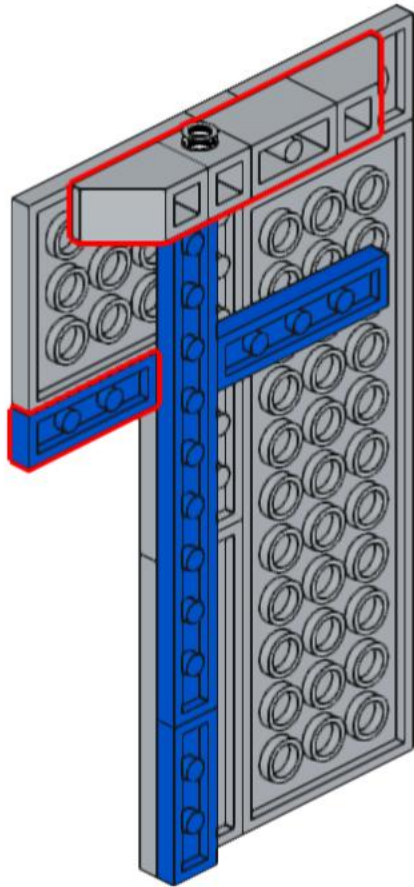
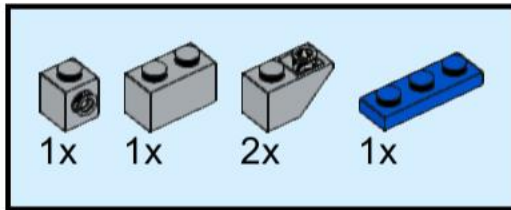
186



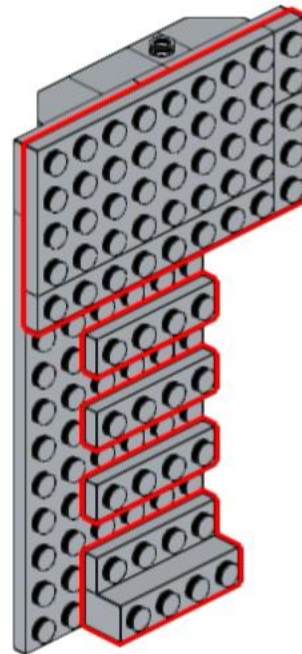
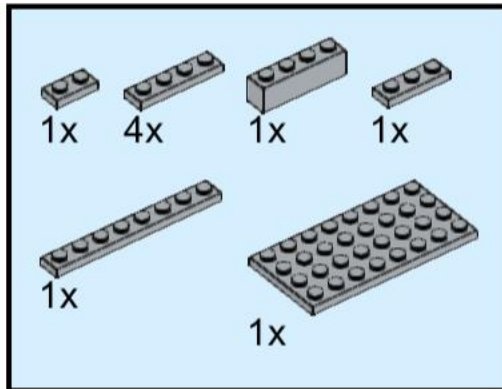
187



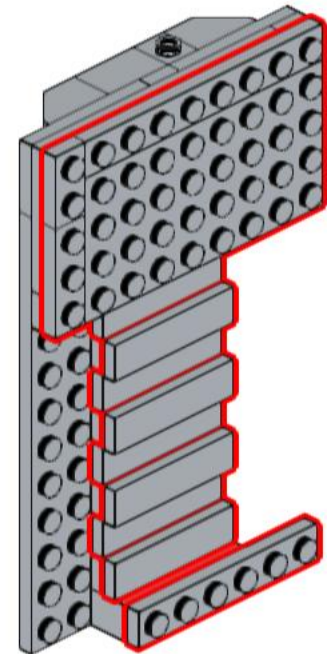
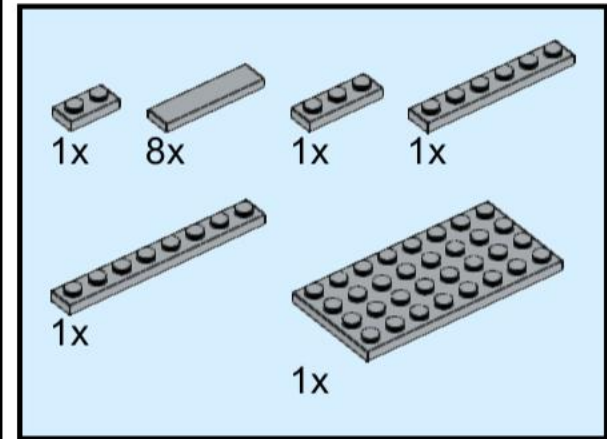
188



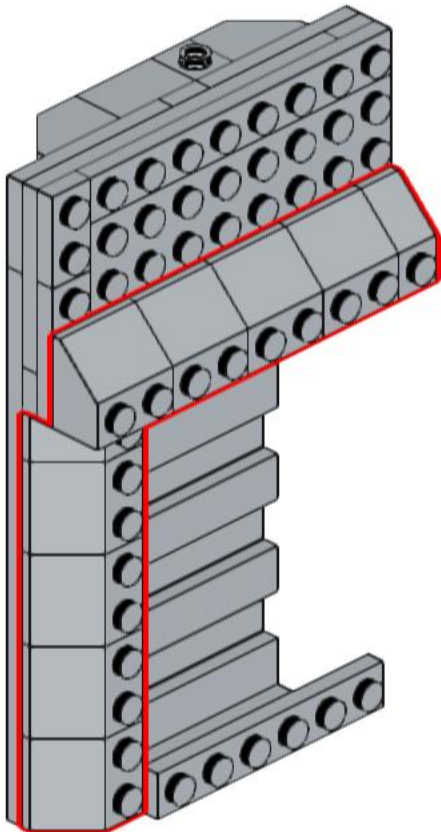
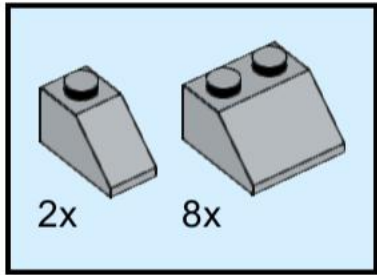
189



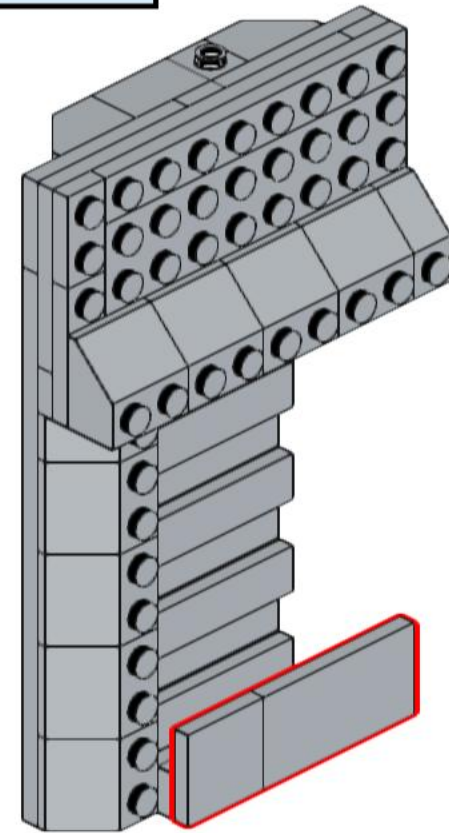
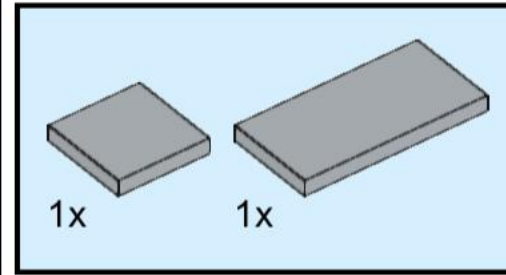
190



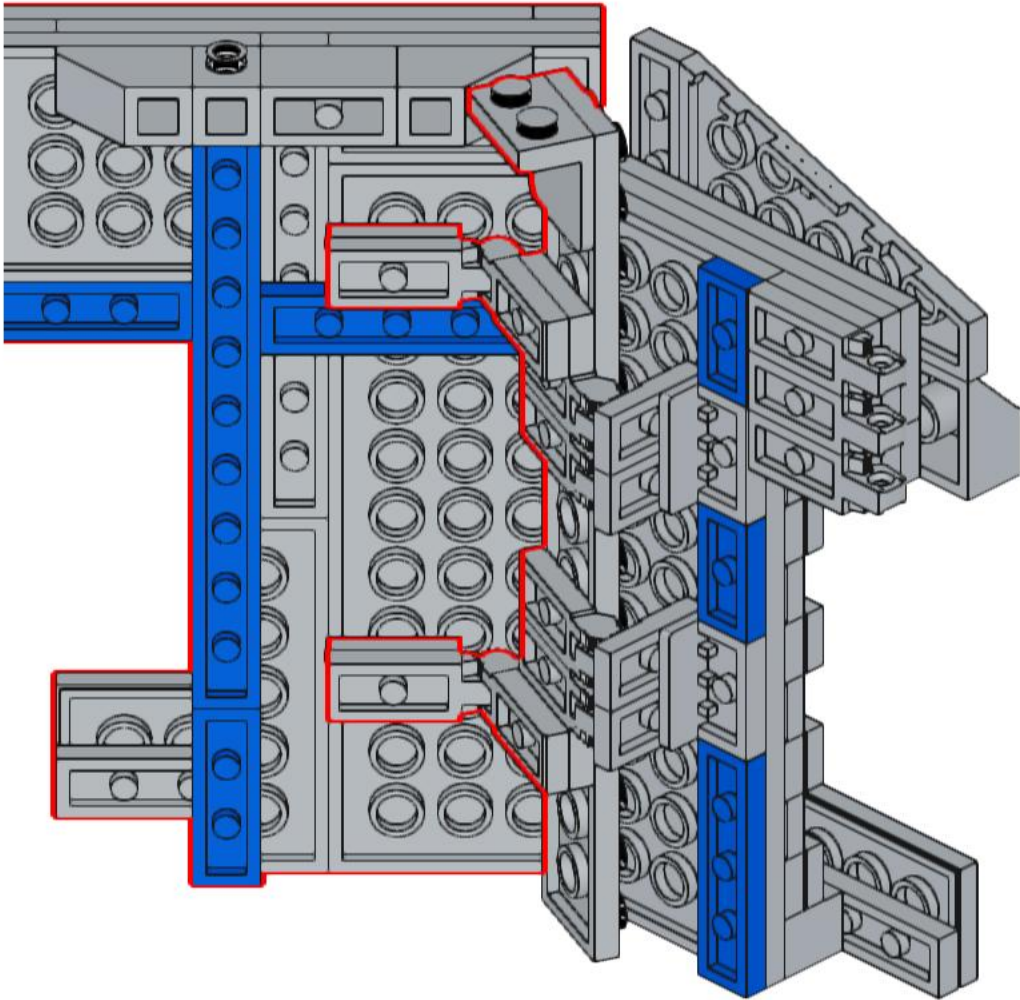
191



192



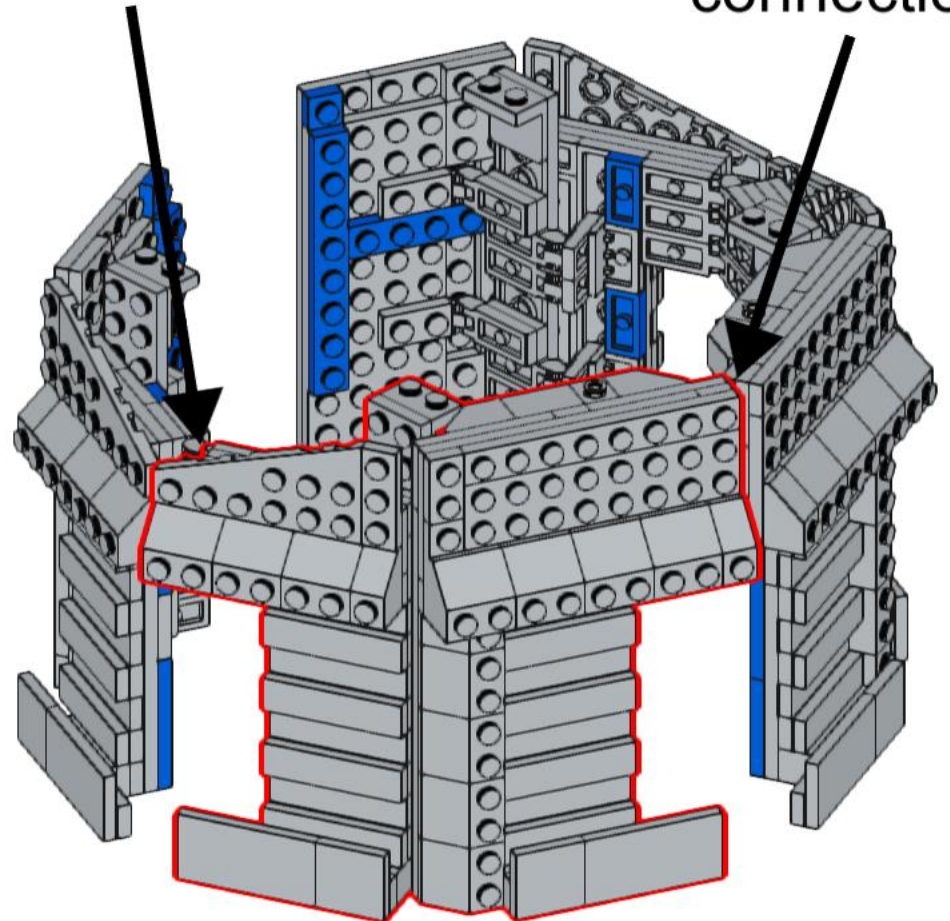
193



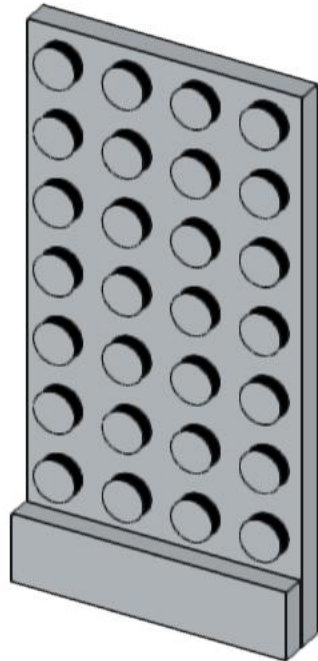
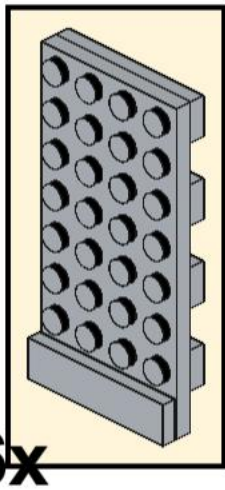
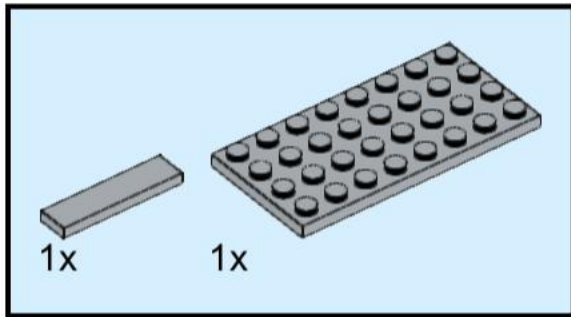
194

Interlocked
pieces

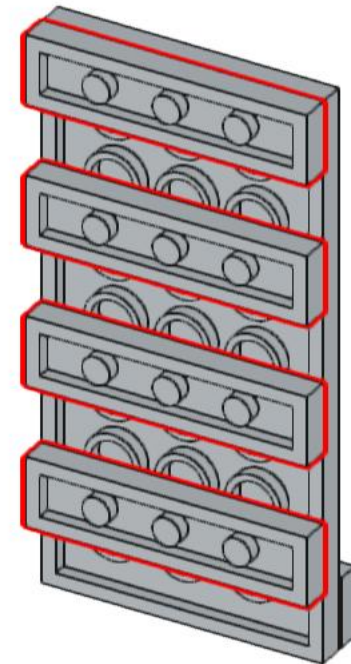
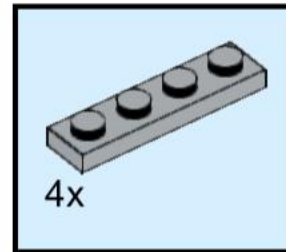
No
connection



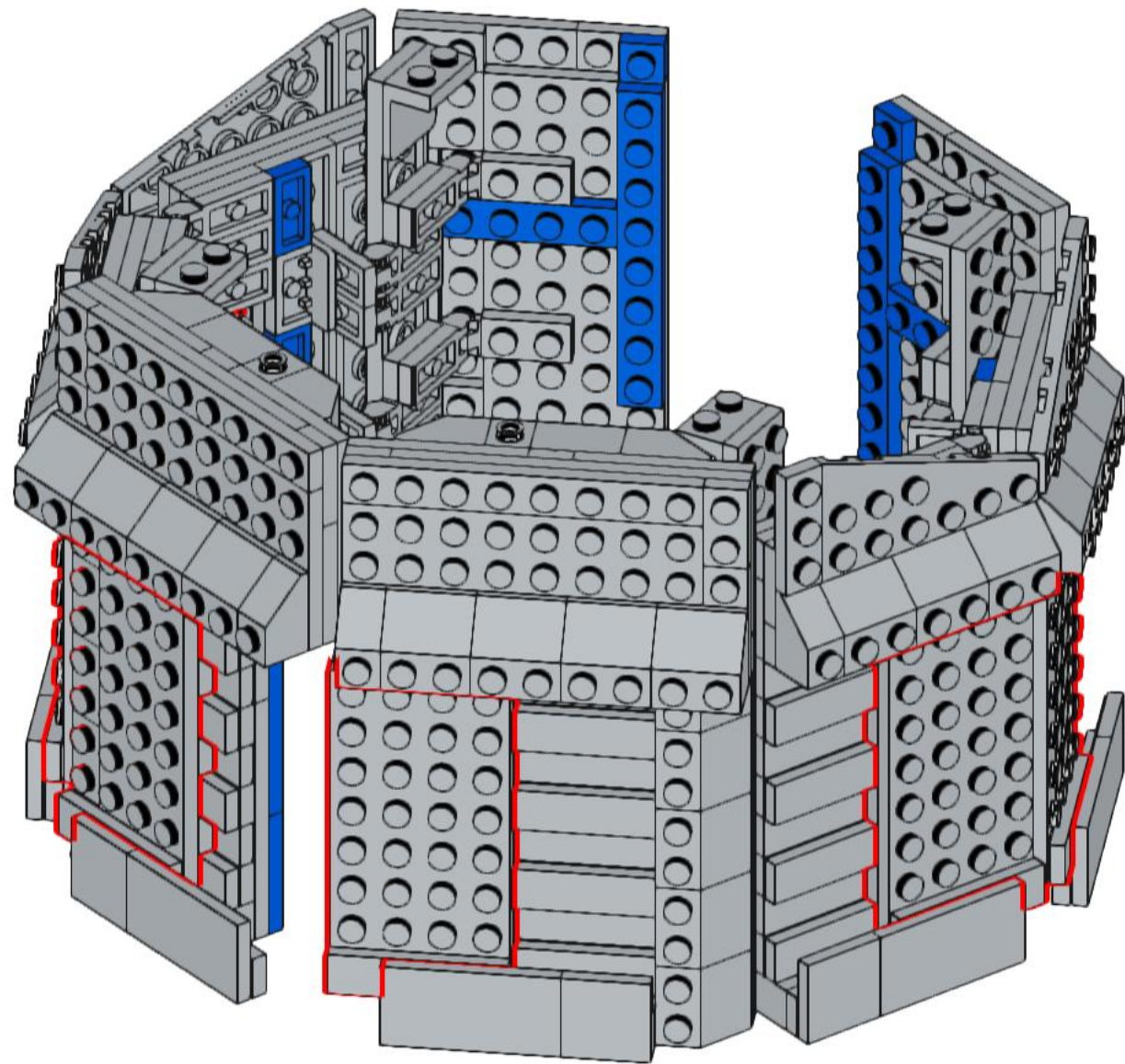
195



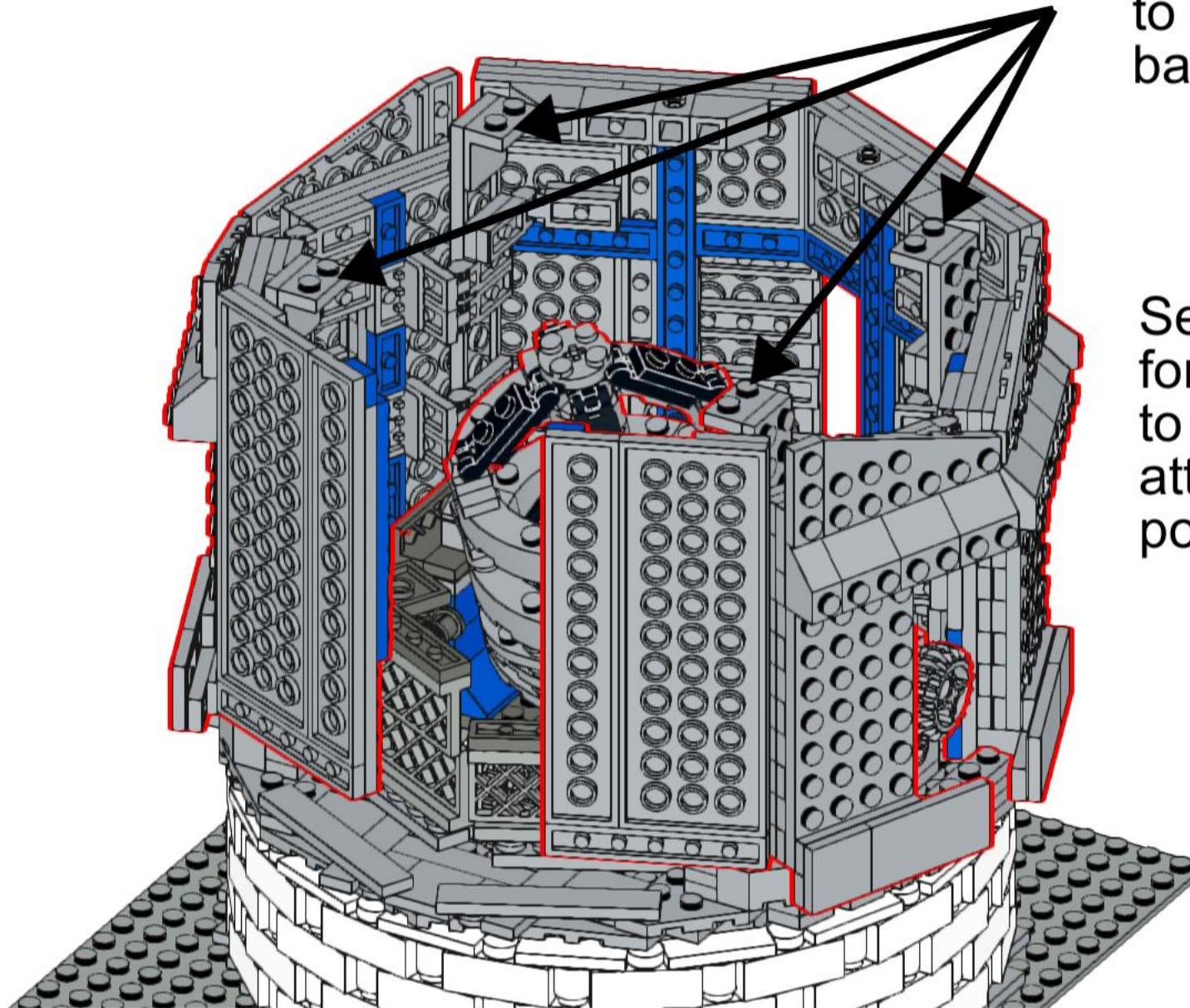
196



197



198

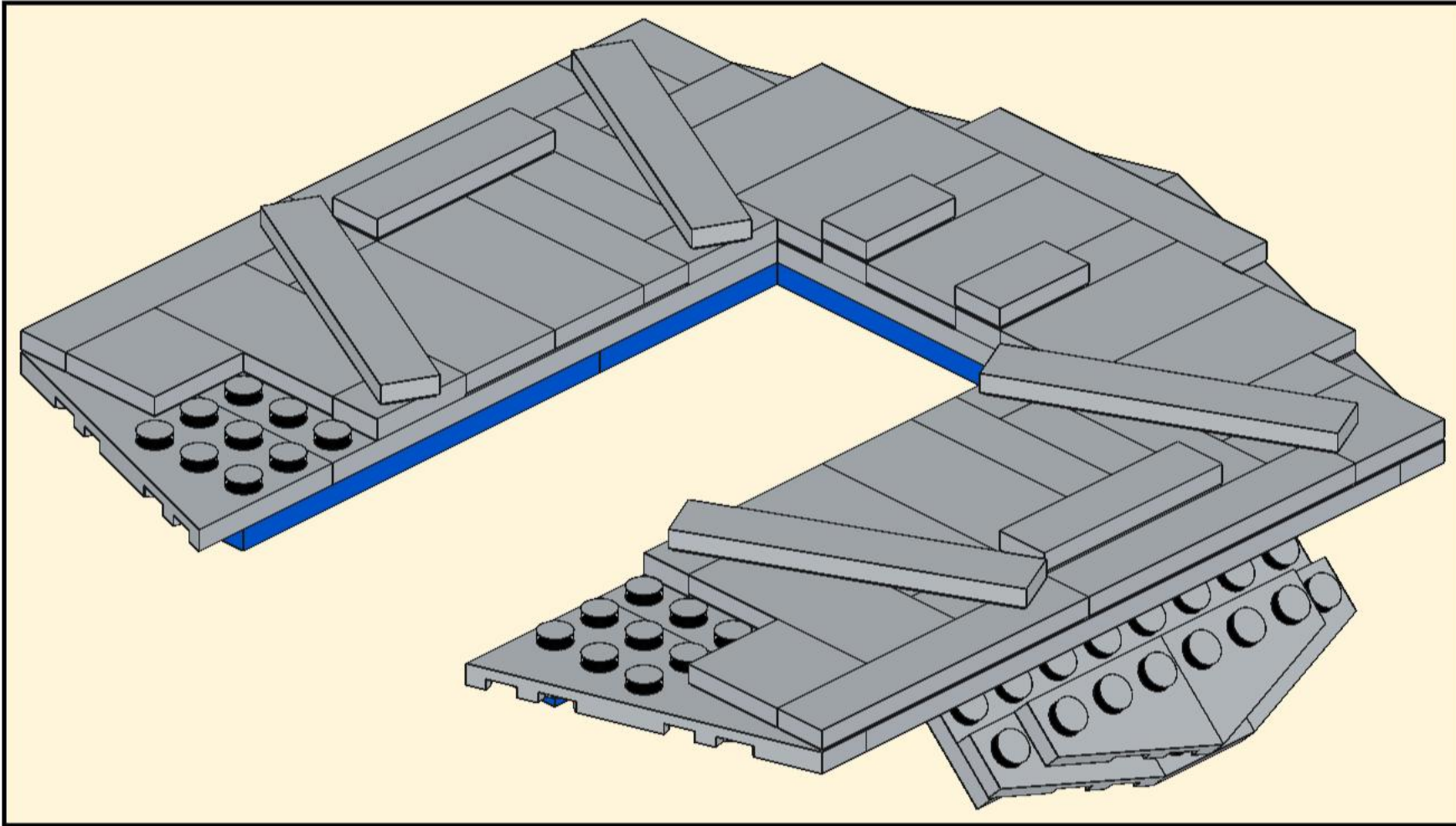


4 support
beams attach
to the dome
base

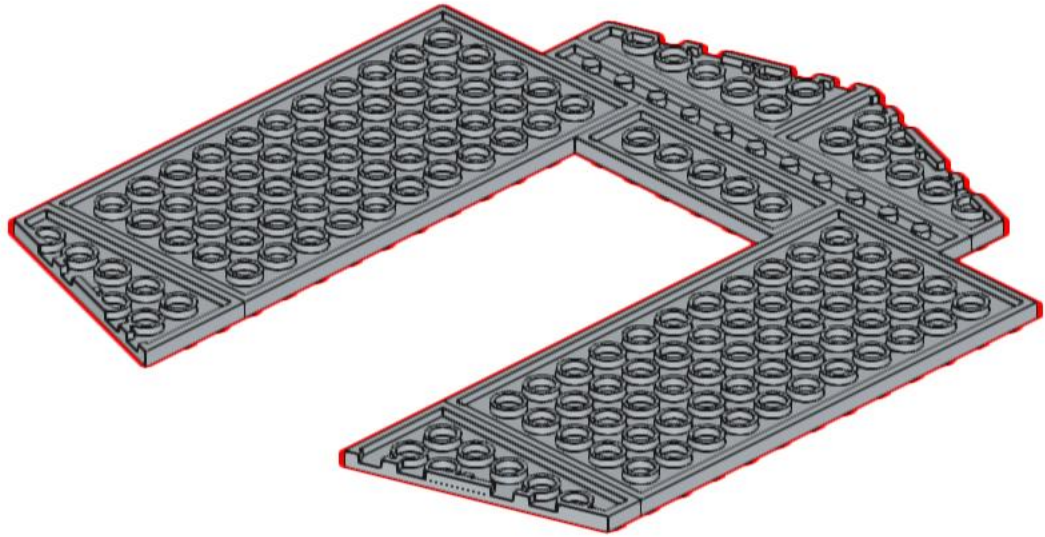
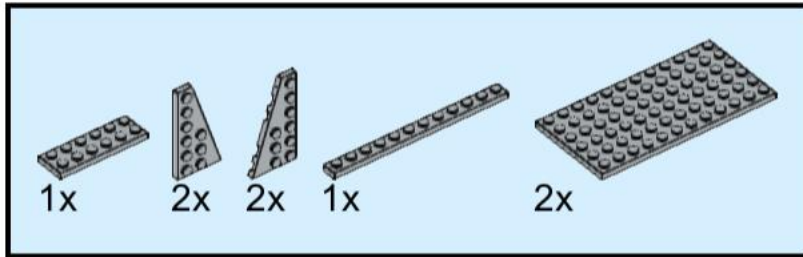
See step 120
for dome wall
to dome base
attachment
points

Dome Roof

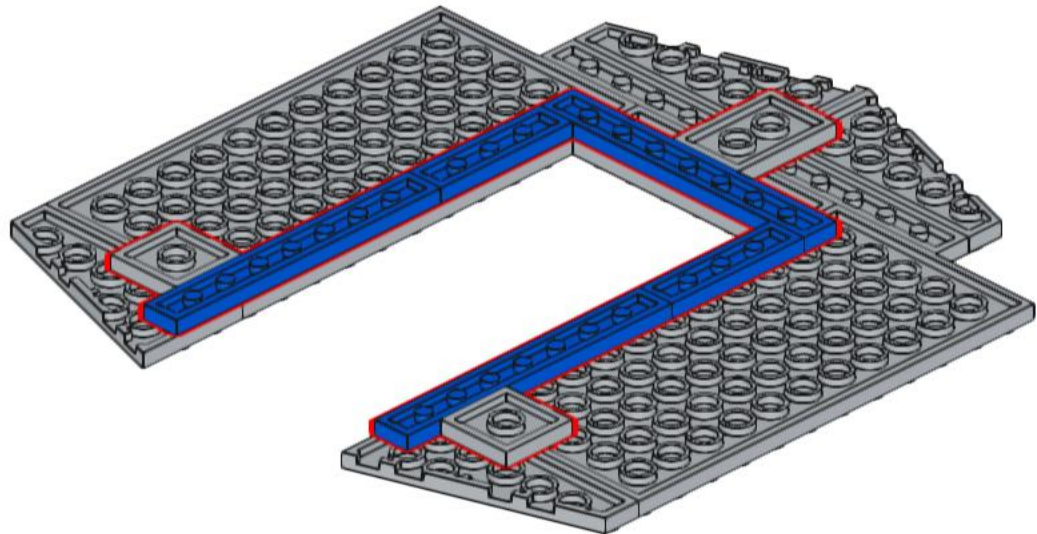
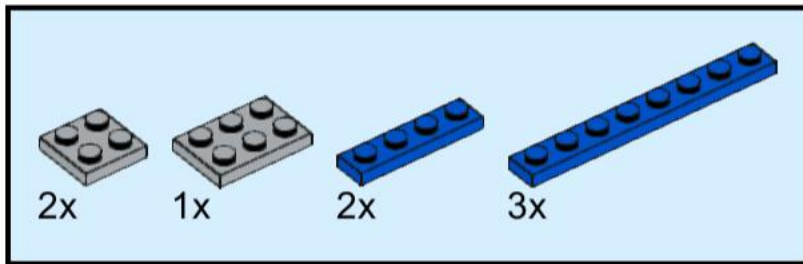
199



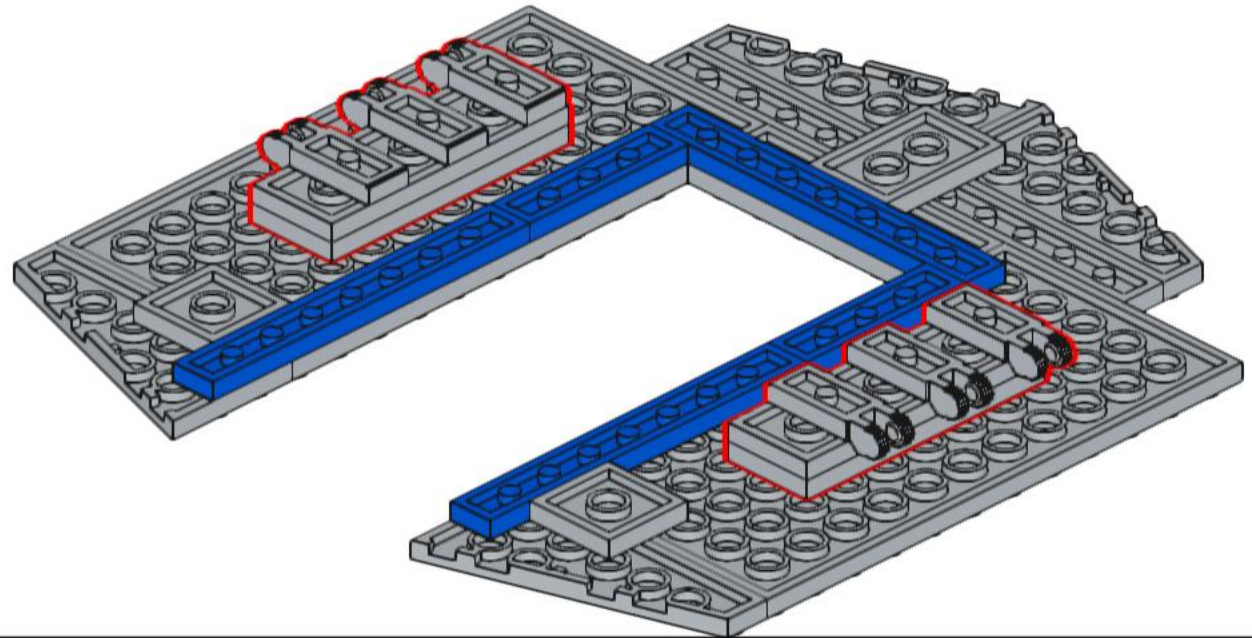
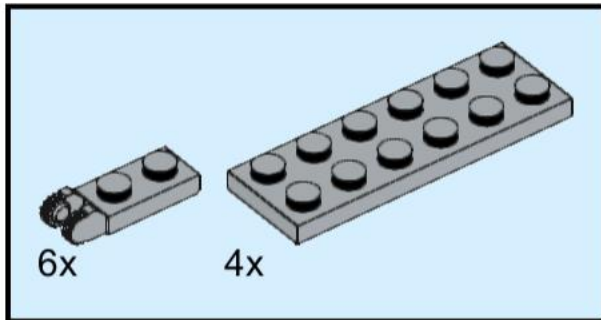
200



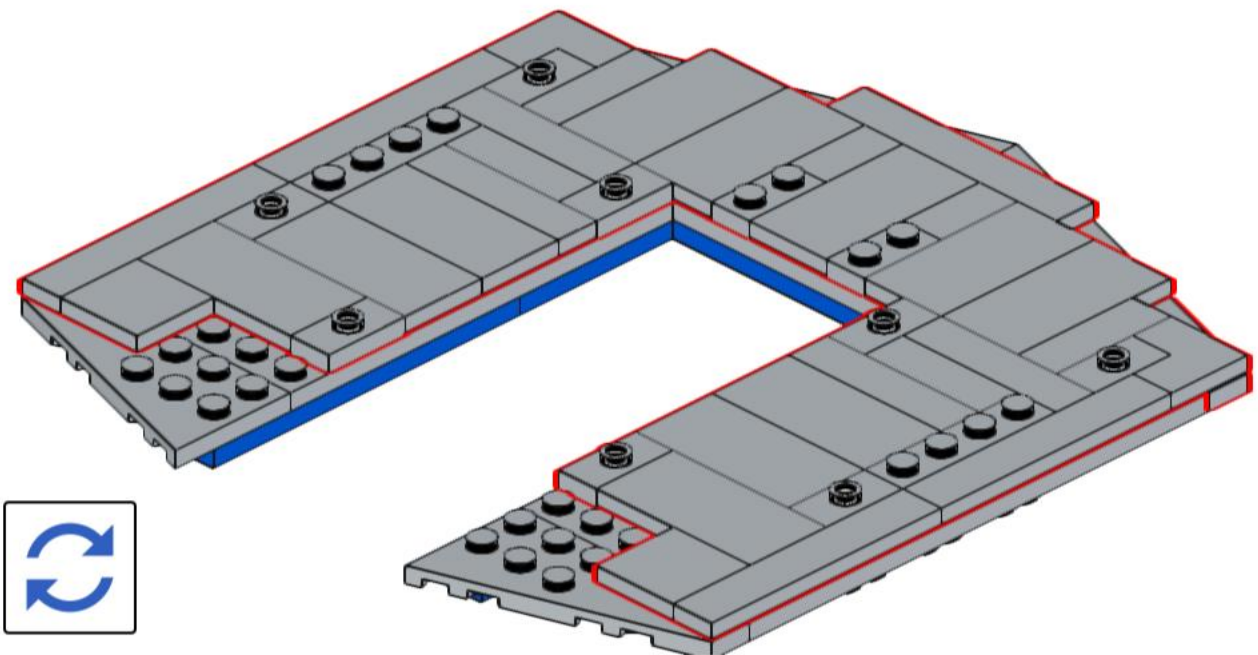
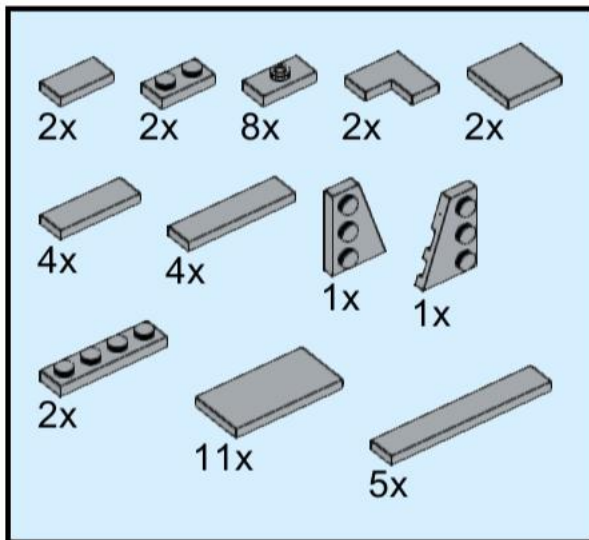
201



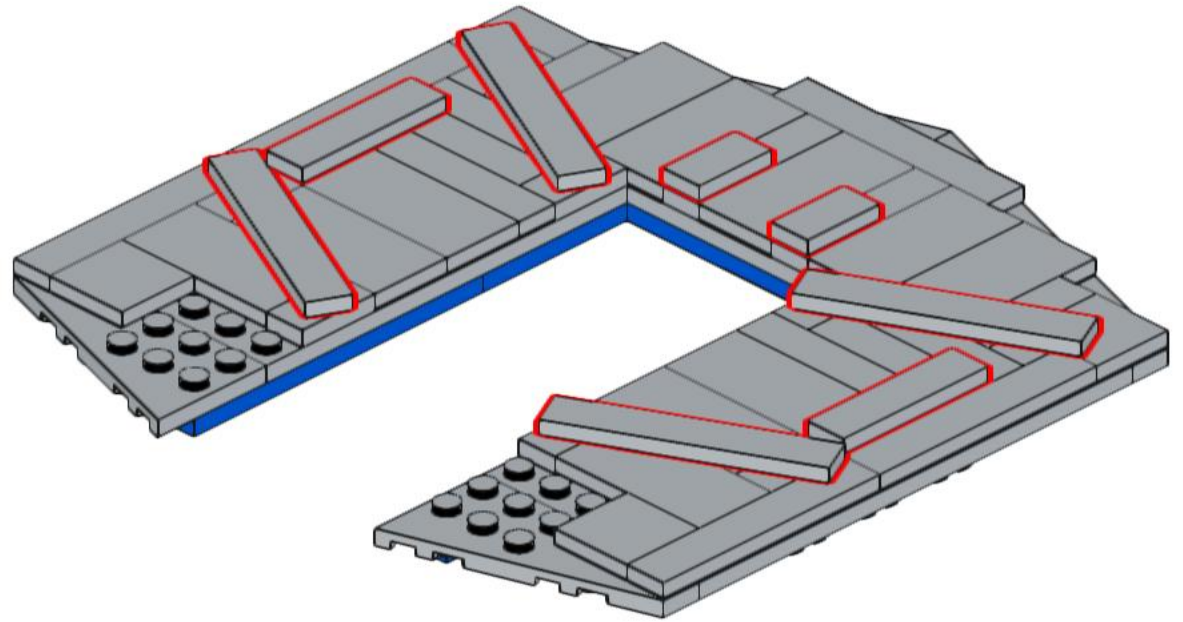
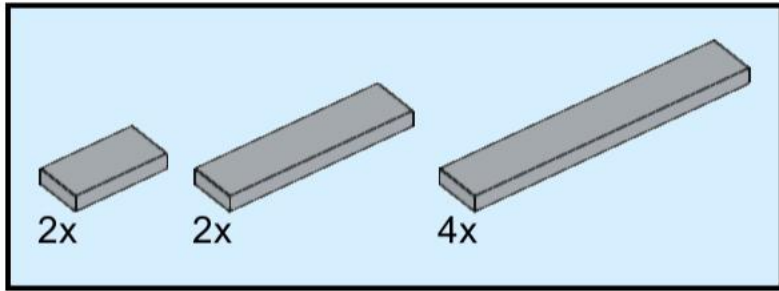
202



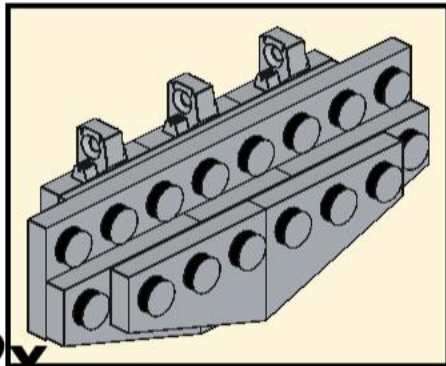
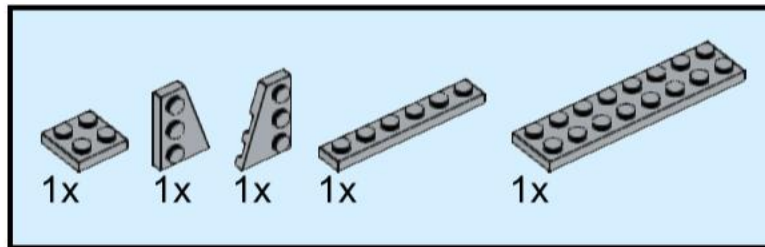
203



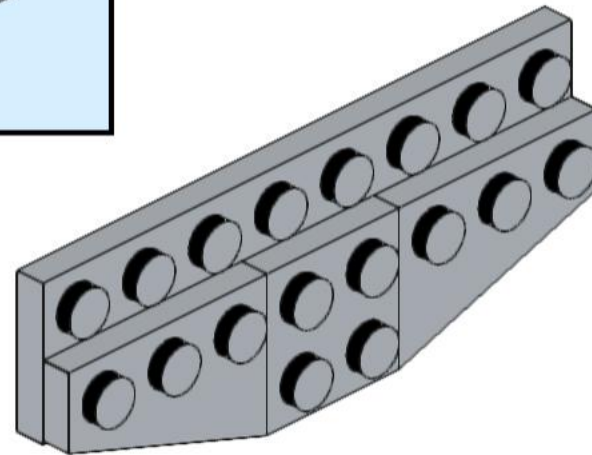
204



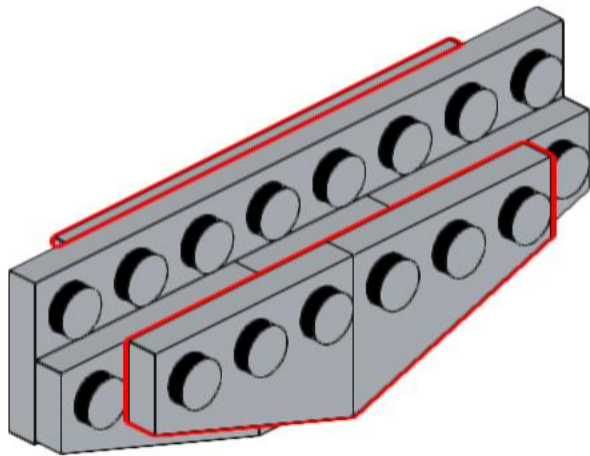
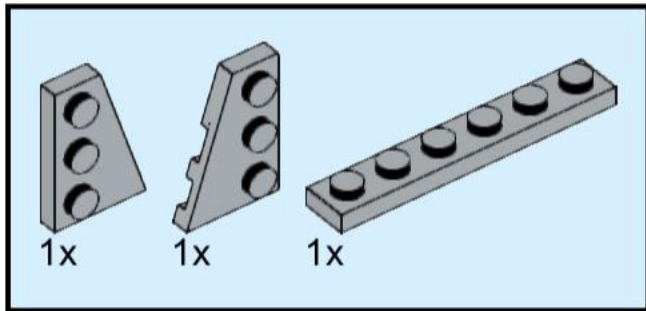
205



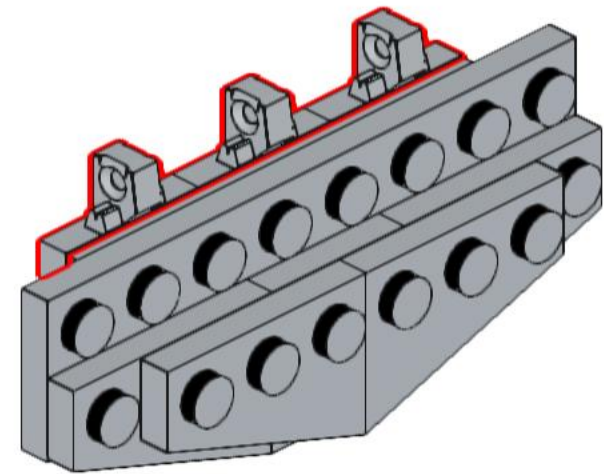
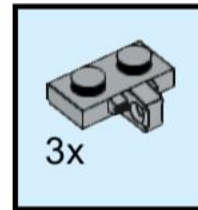
2x



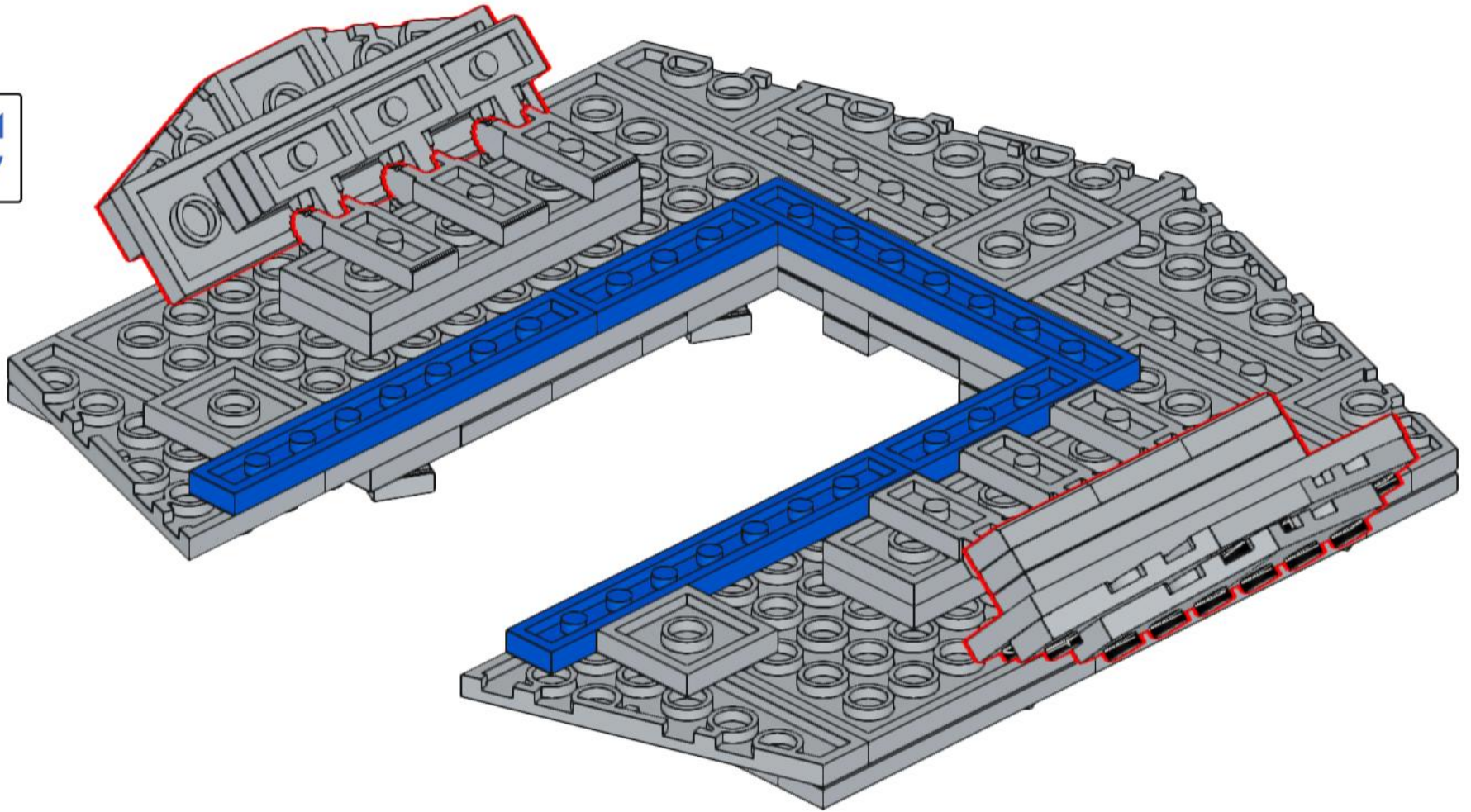
206



207



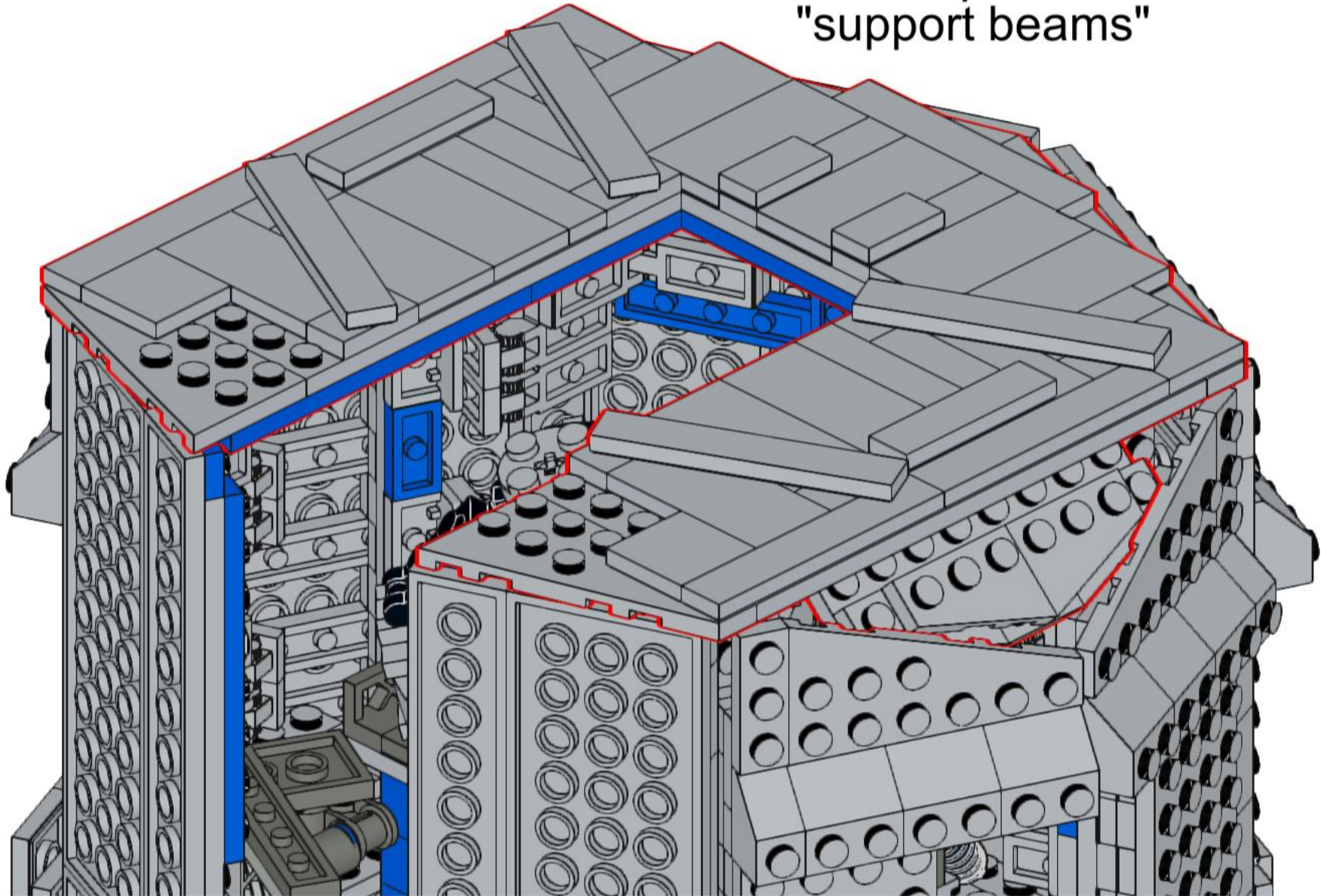
208



209

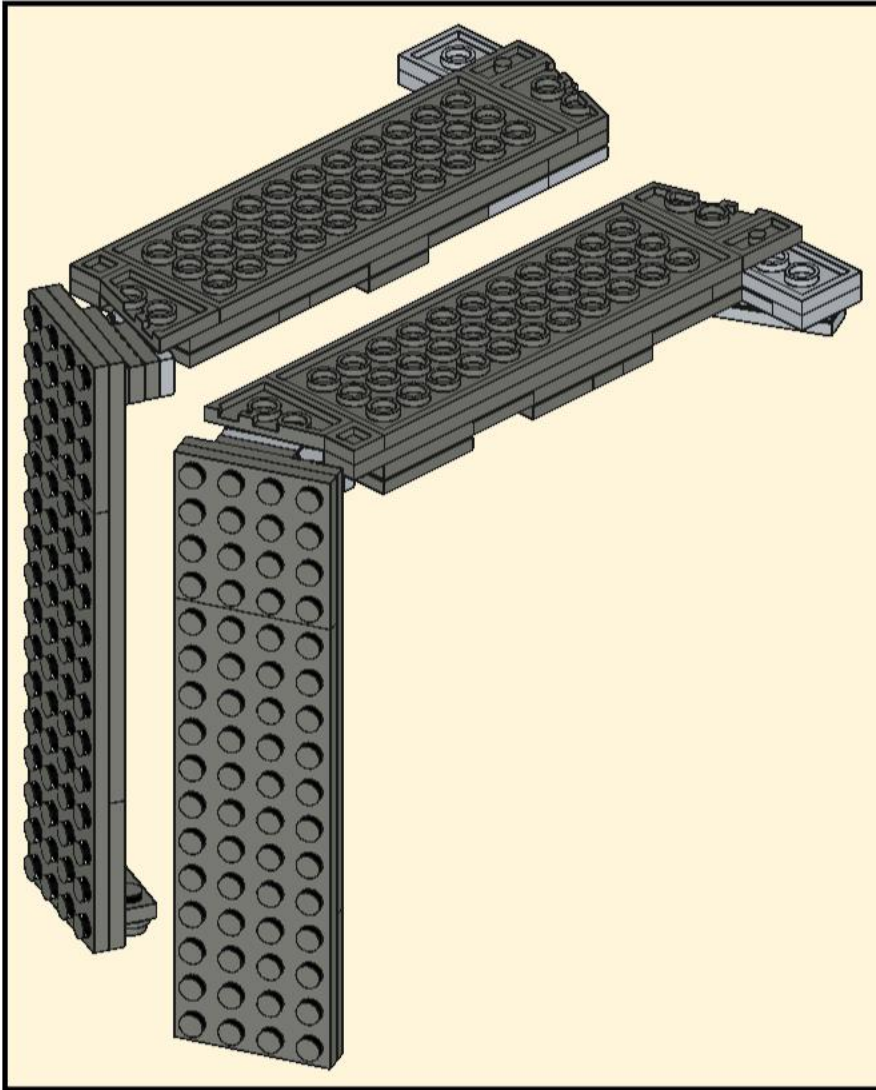
Roof attaches to top of the 4
dome wall support beams

See step 198 for reference of
"support beams"

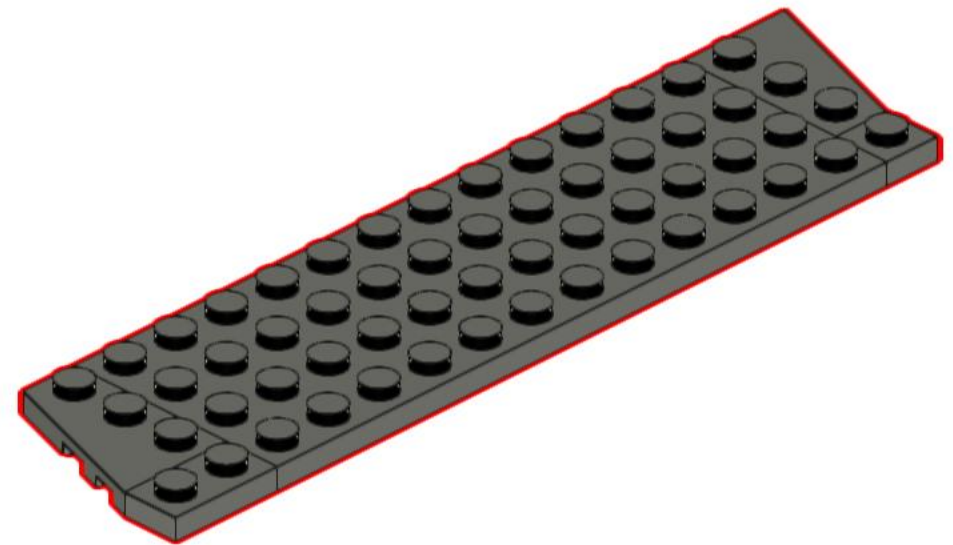
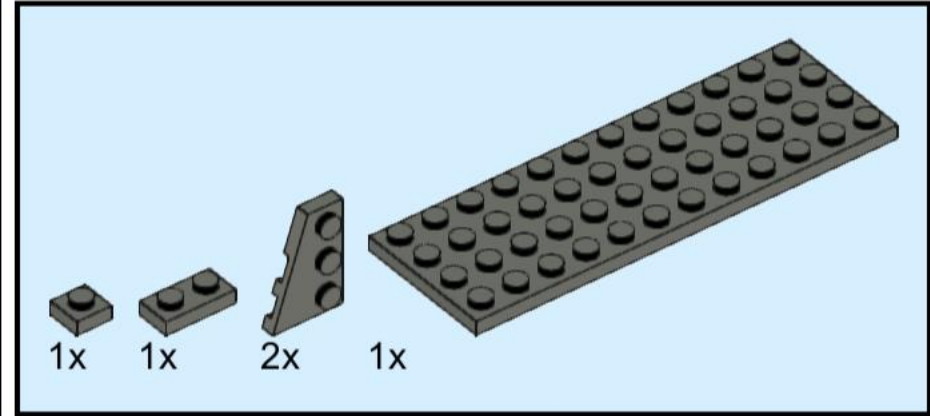


Dome Shutters

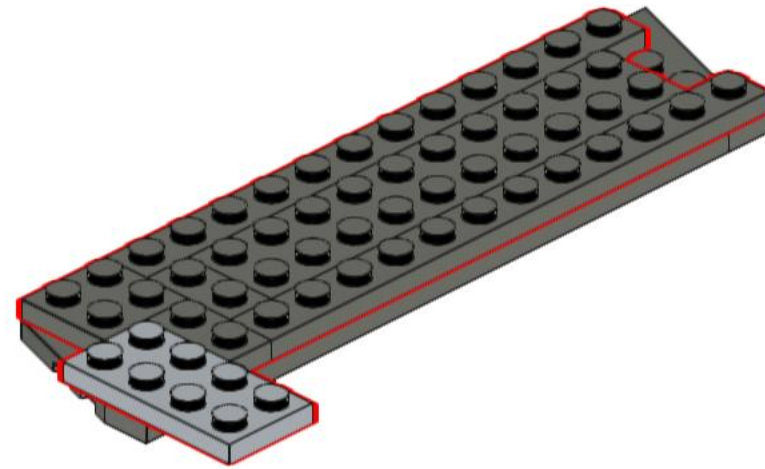
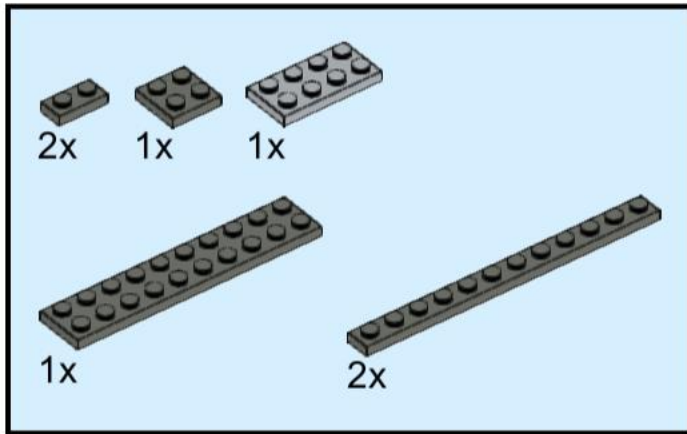
210



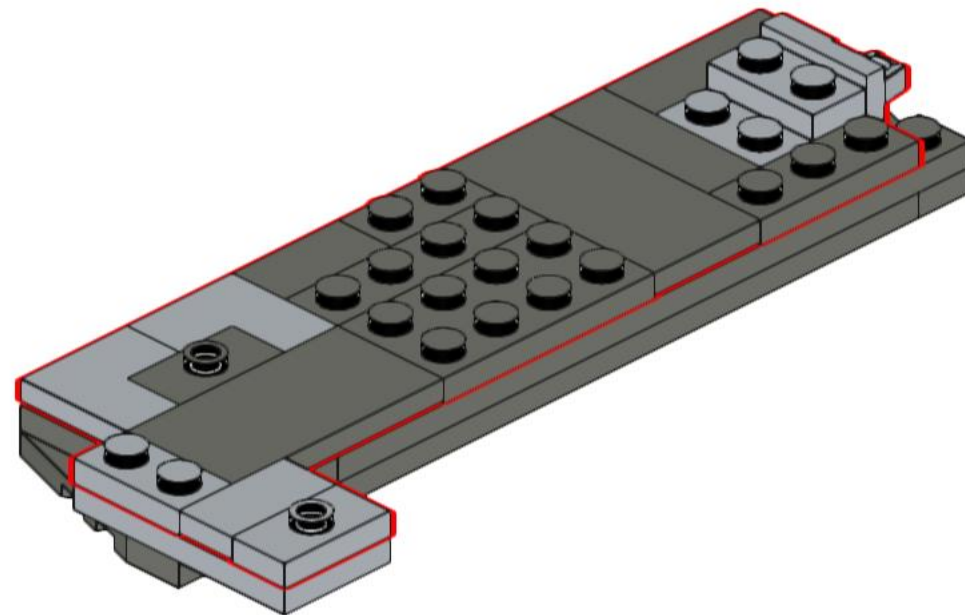
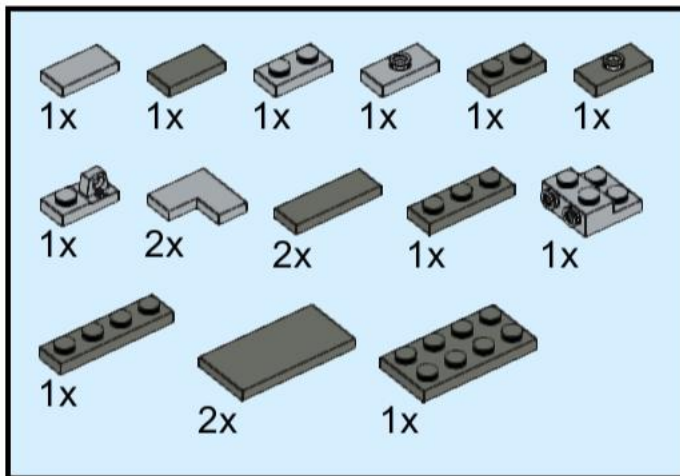
211



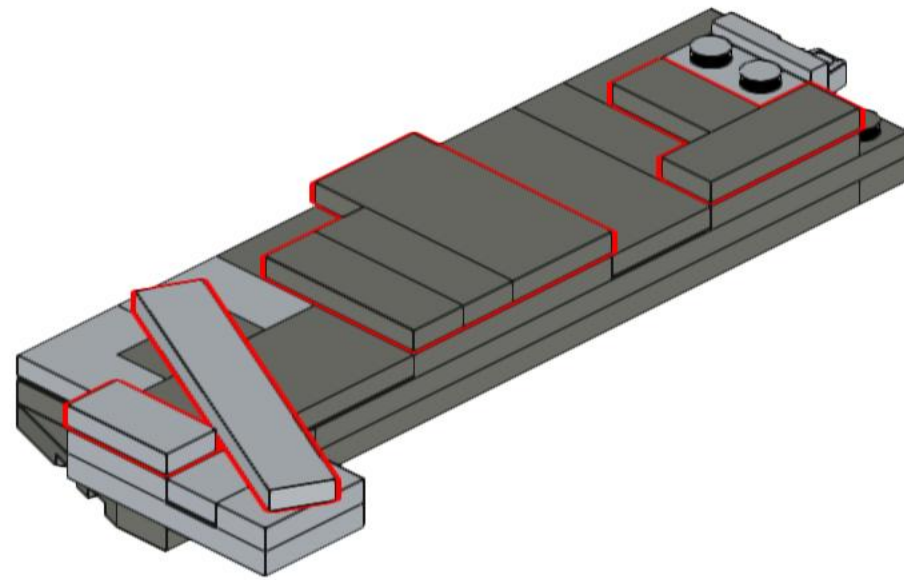
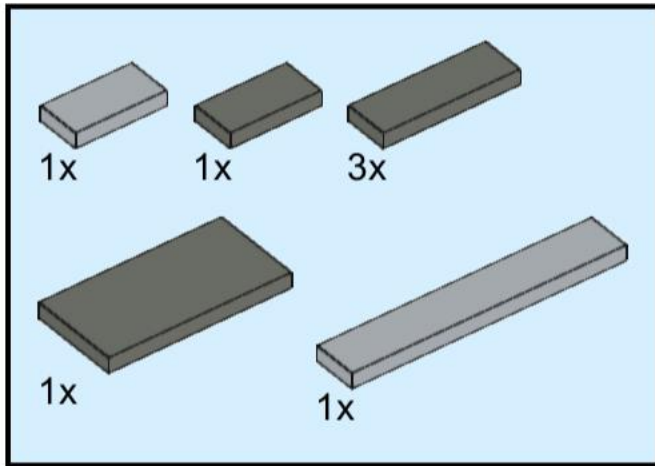
212



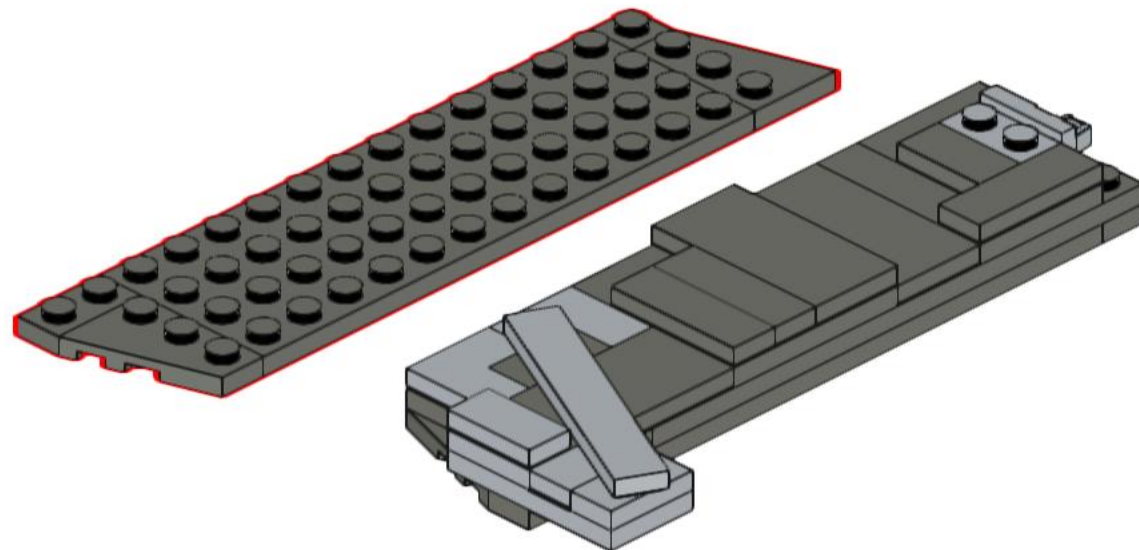
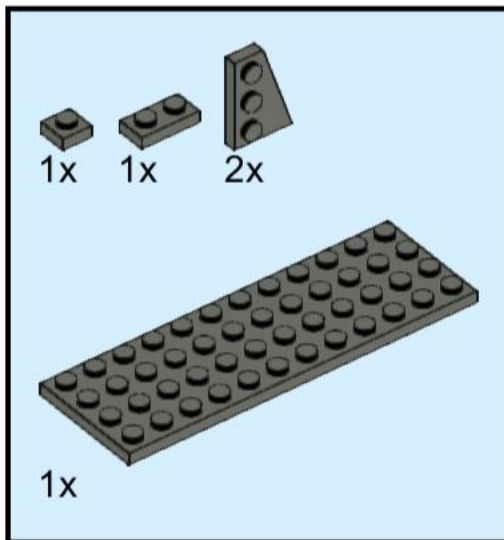
213



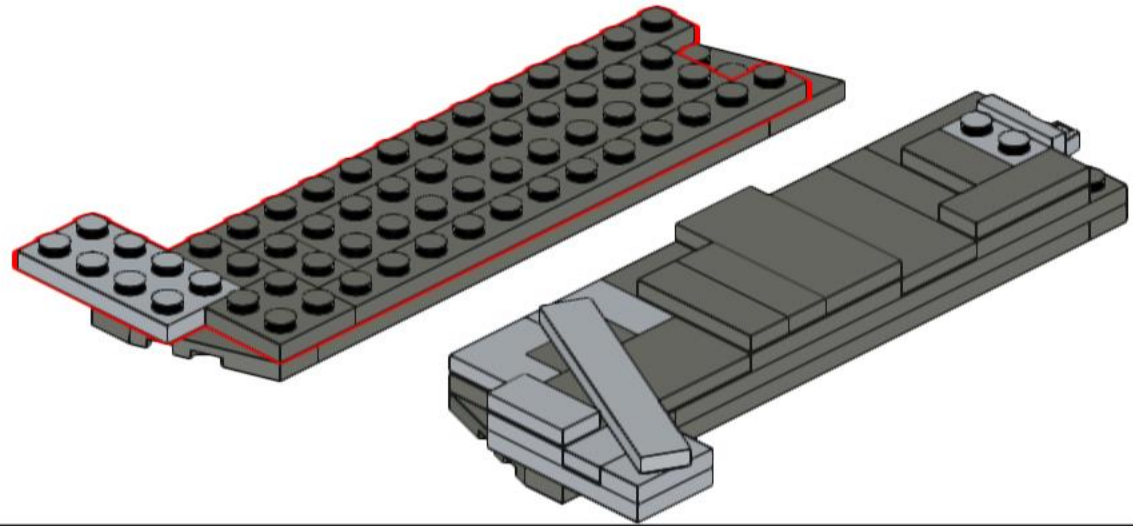
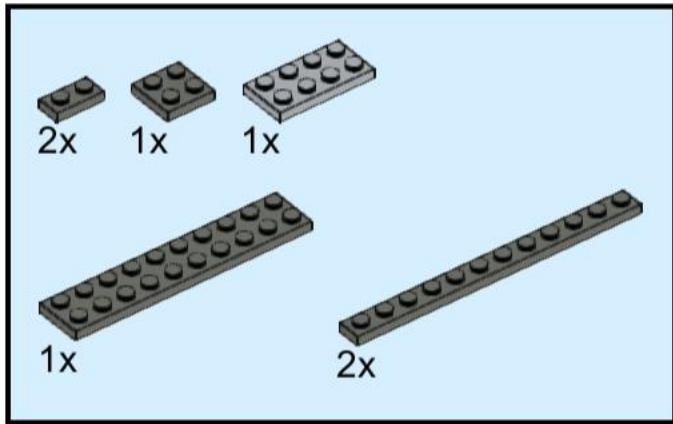
214



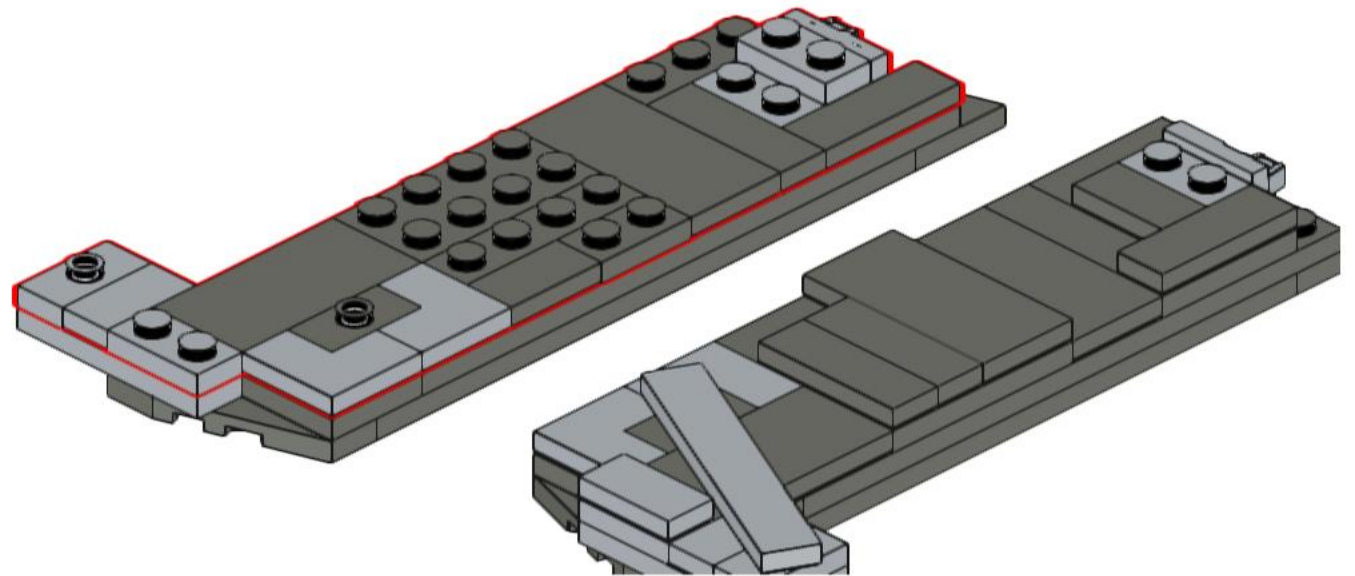
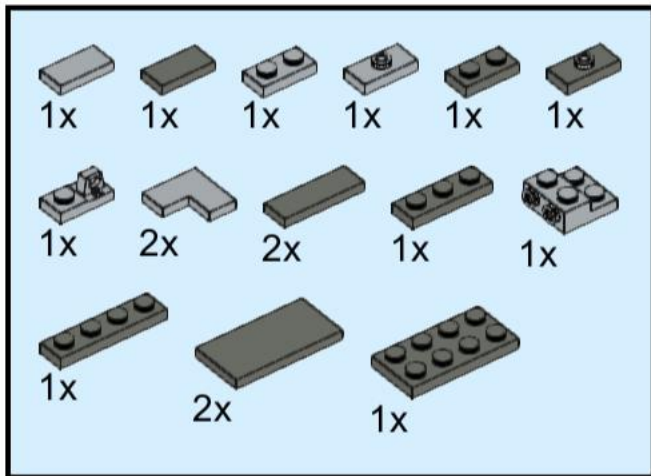
215



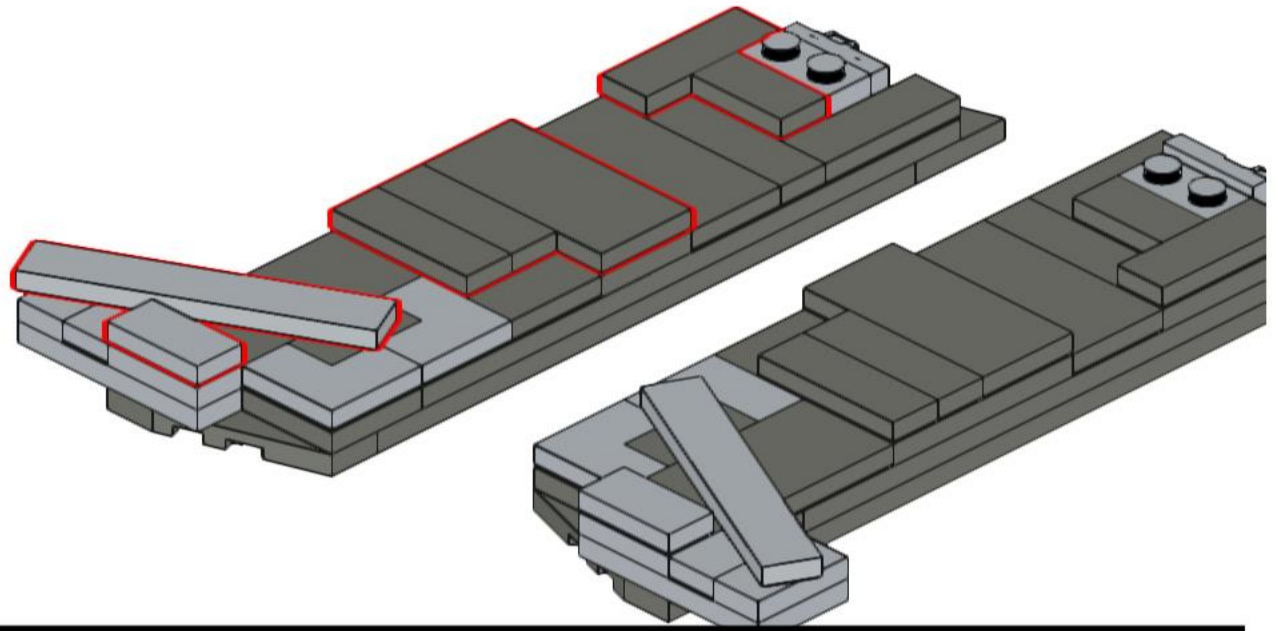
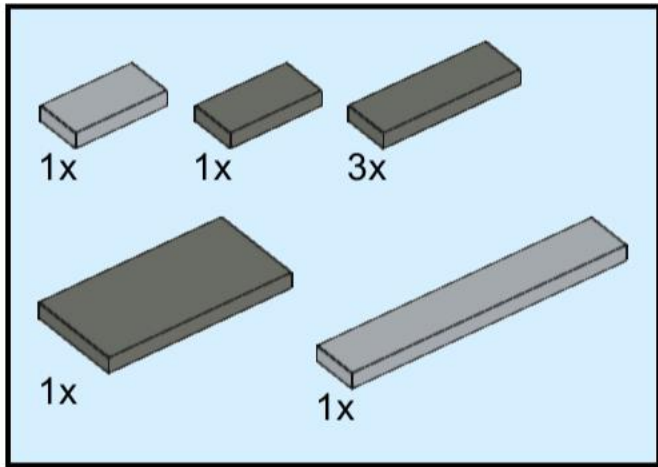
216



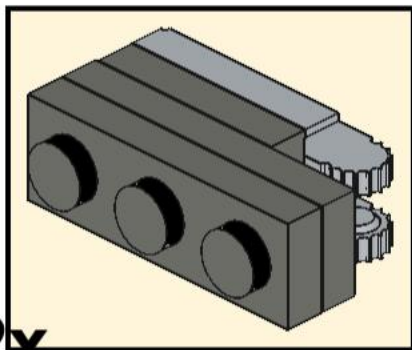
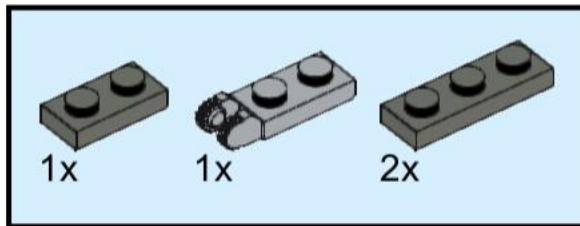
217



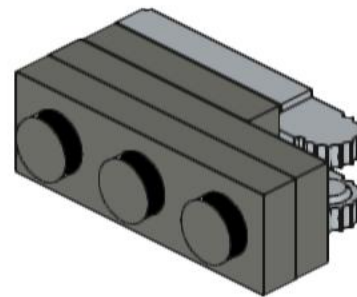
218



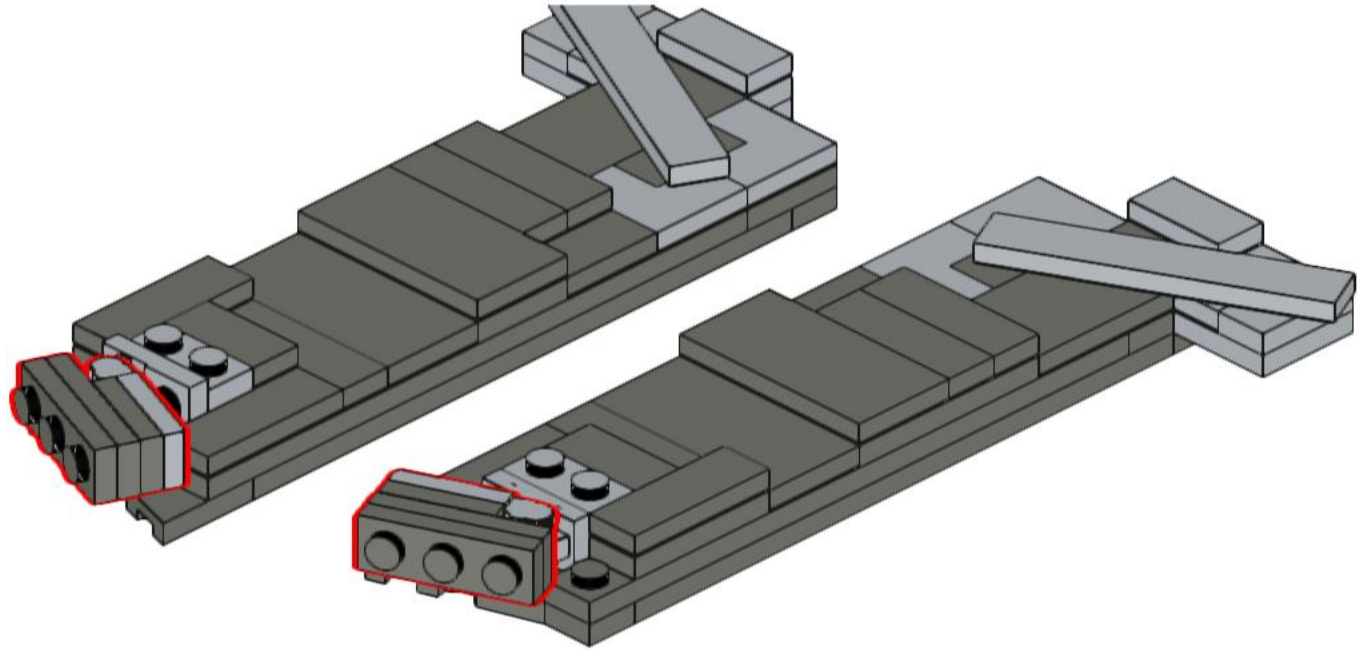
219



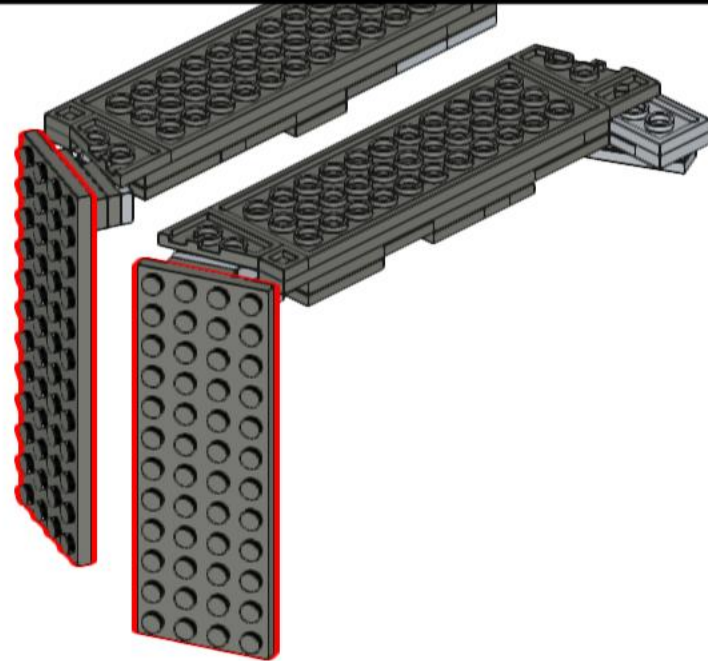
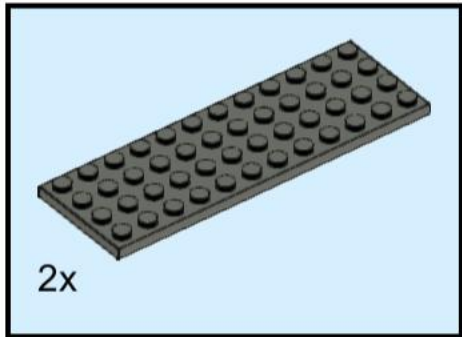
2x



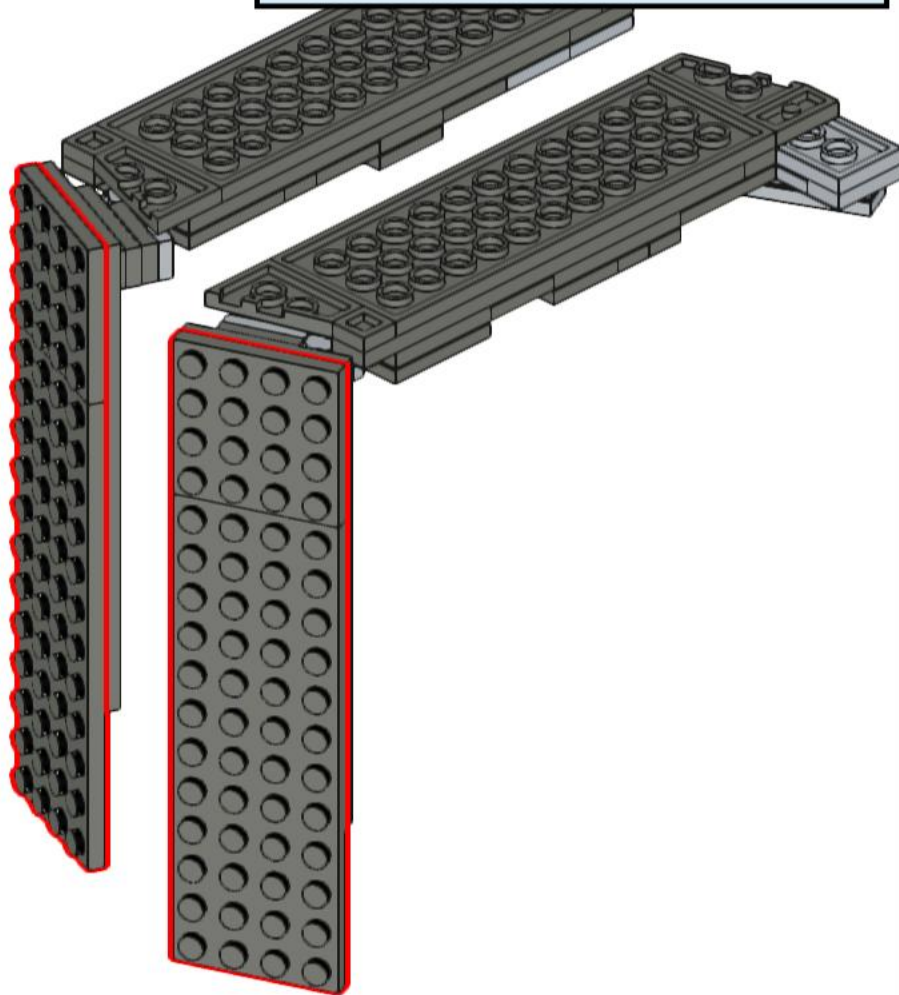
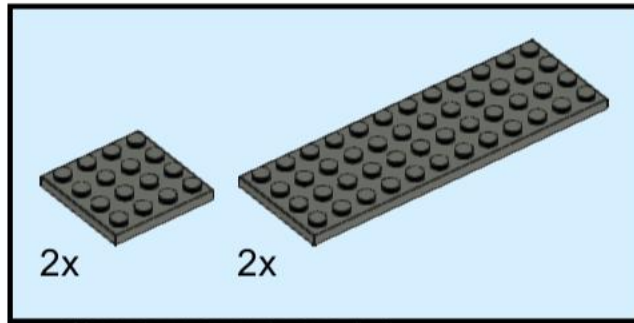
220



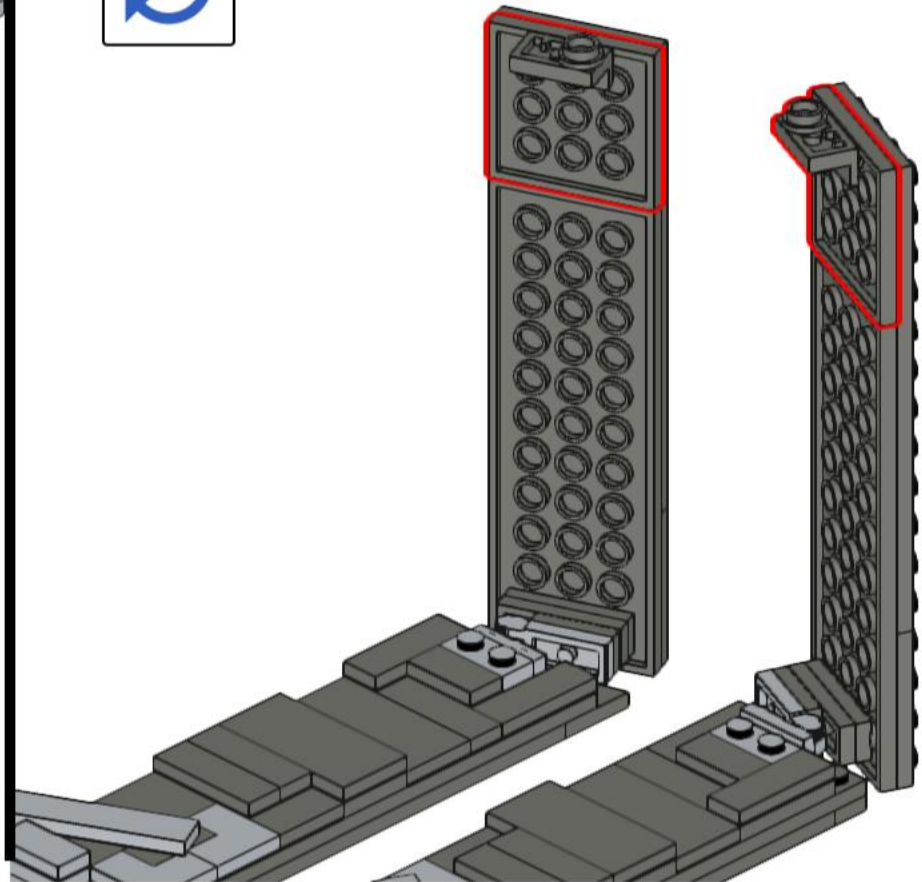
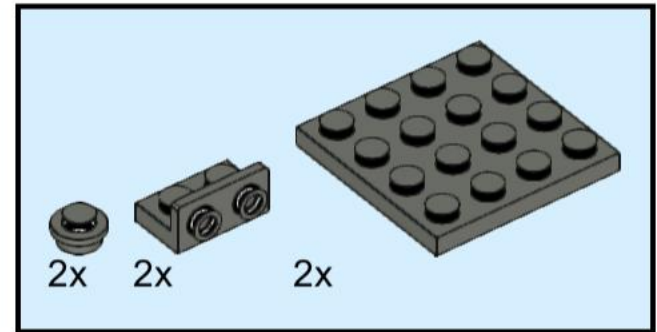
221



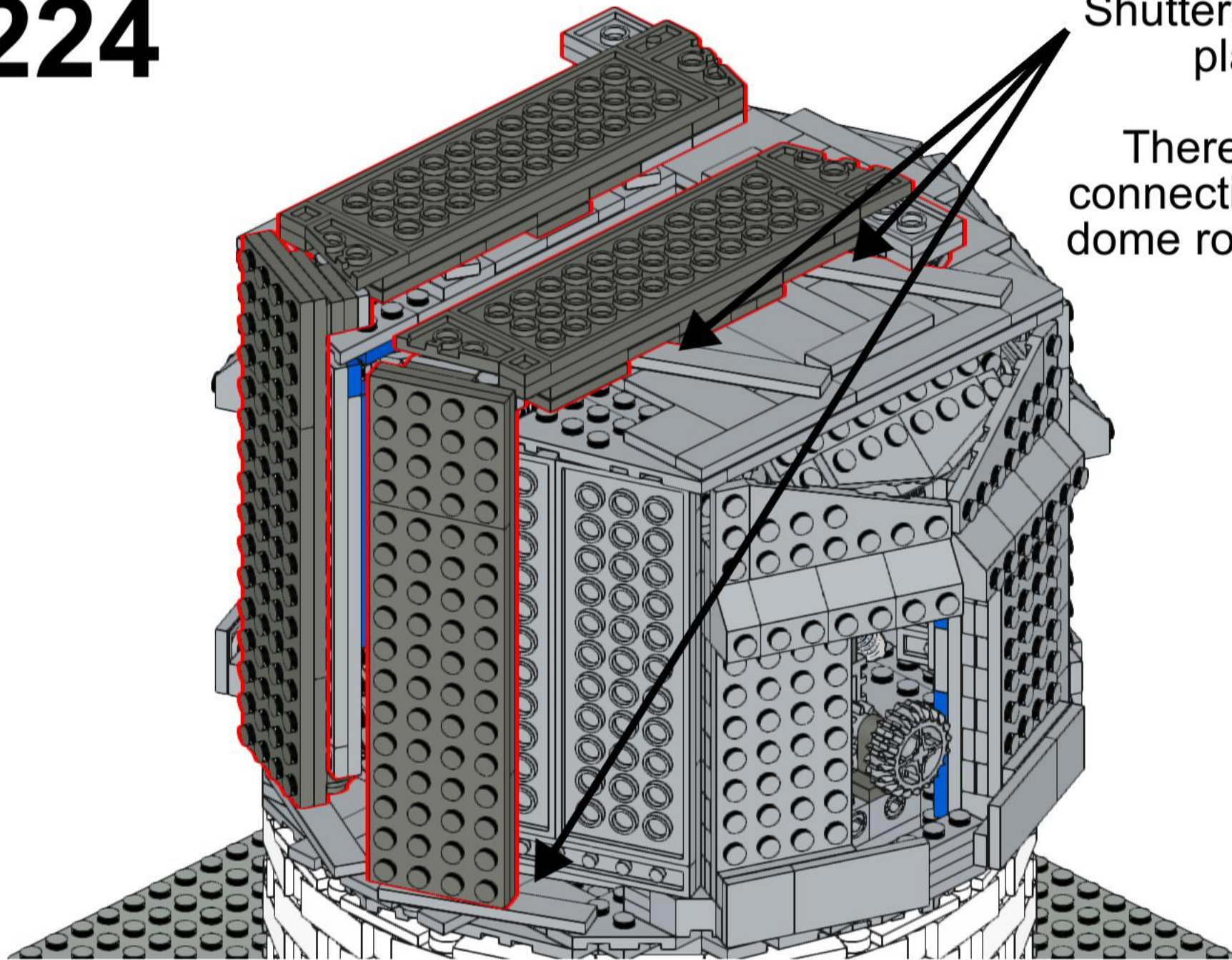
222



223



224



Shutters slot into place.

There are no connections to the dome roof or walls