



Originally Designed by: Frans Snik (Leiden University)
Updated by: Harry Addison (University of Surrey)
Johan Richard (CRAL)

Buying Lego

There are multiple websites that make buying Lego easy. Below are two examples with how you can purchase the parts required for our 4MOST models.

- [Lego Pick-a-Brick](#)

The official Lego website has a shop (Pick-a-Brick) where you can buy new lego parts.

It allows you to upload a parts list and it will find the available parts that you can then purchase. Note that some parts may not be available for purchase.

Instructions:

- Go to [Lego Pick-a-Brick](#)
- Click “Upload List”
- Upload the csv parts list provided on the 4MOST website: [4MOST Lego Models](#)
- Click “View All Pieces”
- View the pieces and select which ones you want to purchase

- [Bricklink](#)

Lego also owns Bricklink, a marketplace for independent sellers.

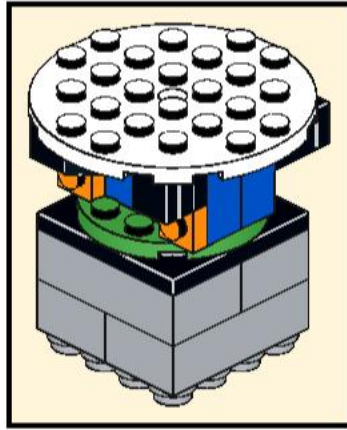
Here you can buy new and used Lego pieces. Similar to Pick-a-Brick, you can upload a parts list and it will find the available parts from different sellers.

Instructions:

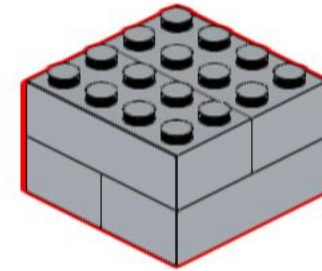
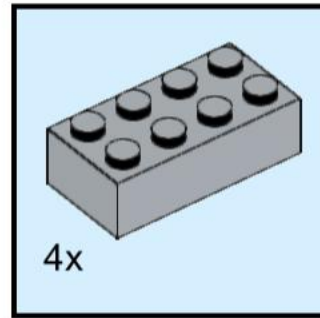
- Go to [Bricklink](#)
- Login or create a new account
- In the top right menu (profile pic) go to "My Wanted Lists"
- Select the "Upload" tab
- Select the "Upload BrickLink XML Format" tab
- Select which wanted list you want to add the parts to or create a new list
- Copy the contents of the xml format parts lists provided on the 4MOST website: [4MOST Lego Models](#).
- "Proceed to verify items" and then "Add to Wanted List" (at the bottom of the page)
- Navigate to the created wanted list in "My Wanted Lists"
- Click "Buy All" or select which parts to buy and click "Buy X Selected"
- Choose sellers to buy from or auto select sellers

Telescope Column

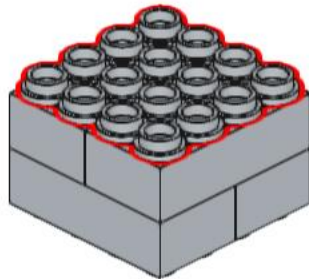
1



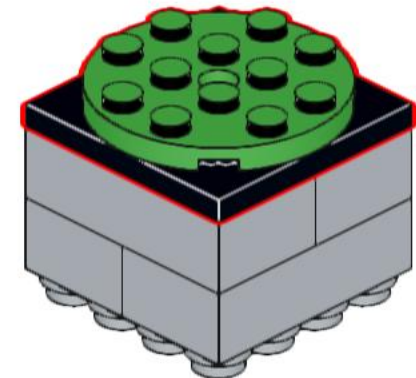
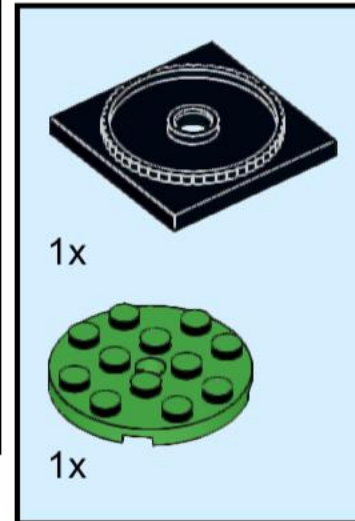
2



3

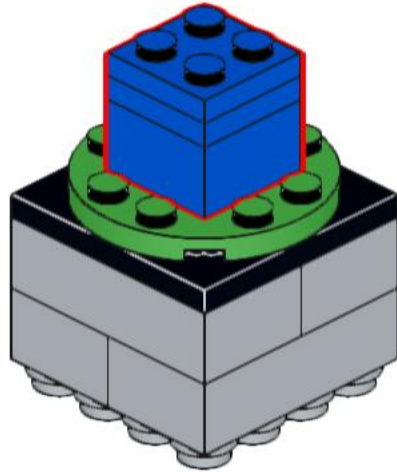
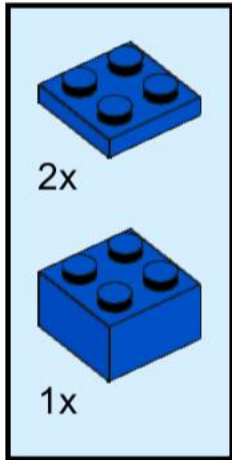


4

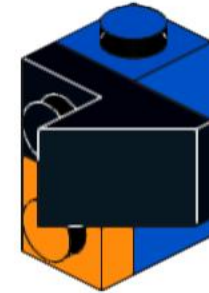
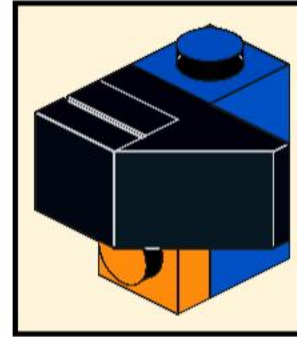
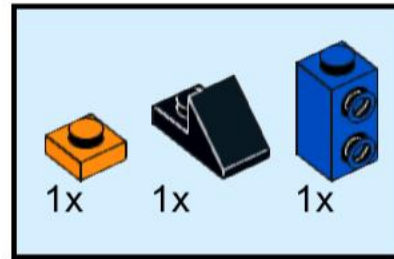


Low Resolution Spectrographs A and B

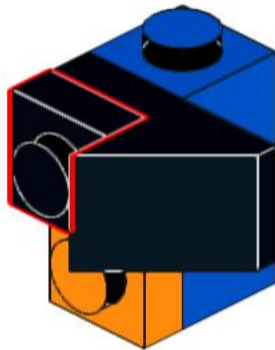
5



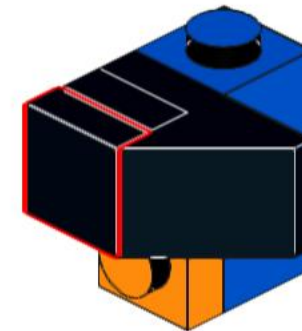
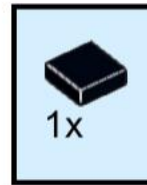
6



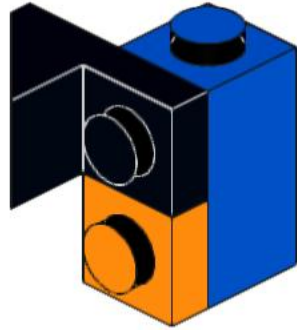
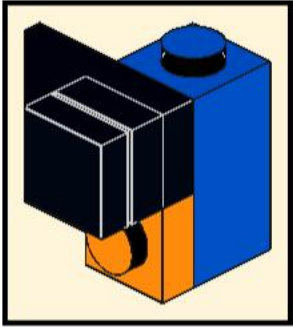
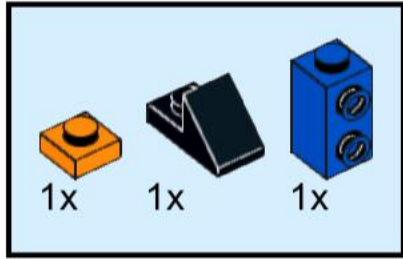
7



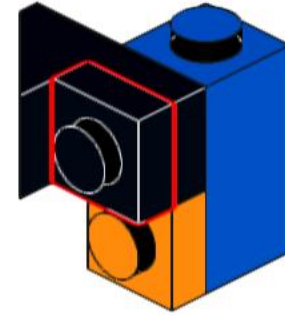
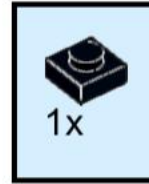
8



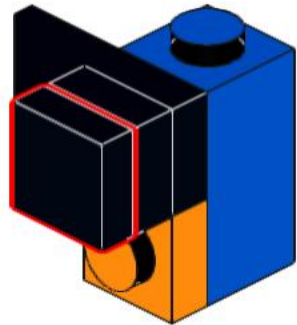
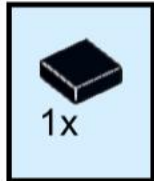
9



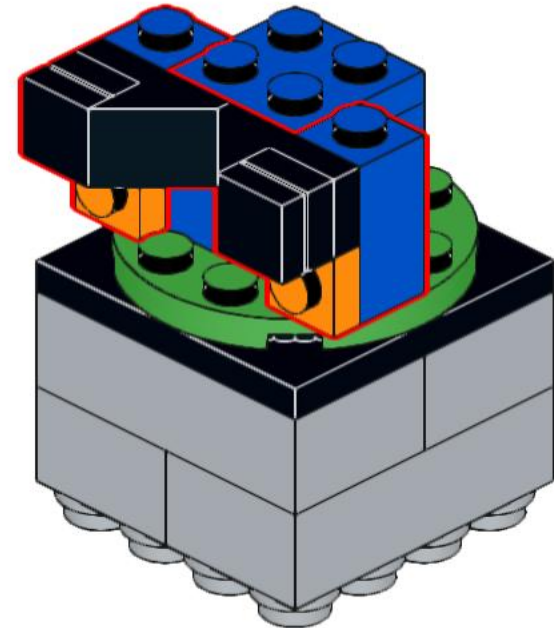
10



11

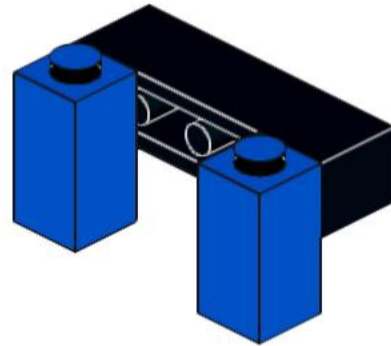
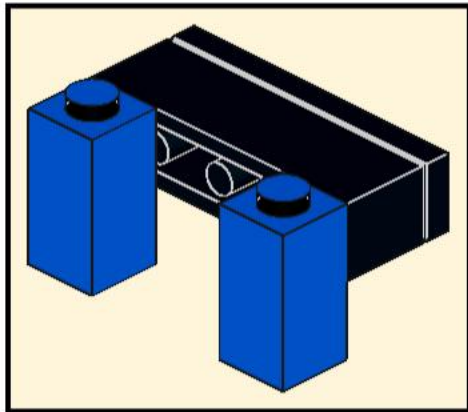
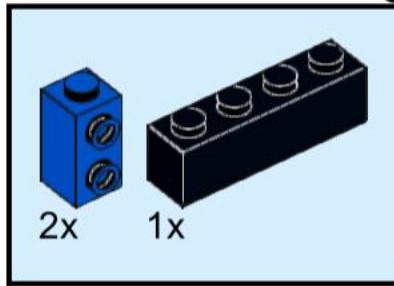


12

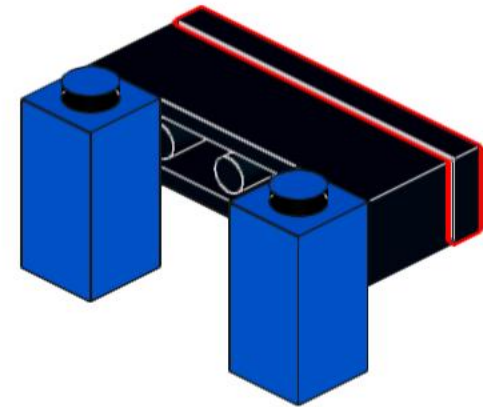
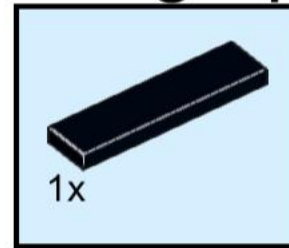


High Resolution Spectrograph

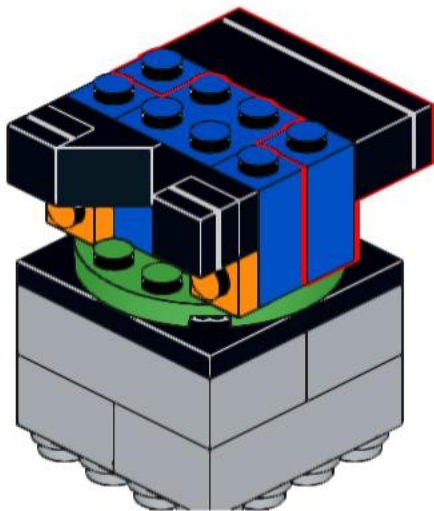
13



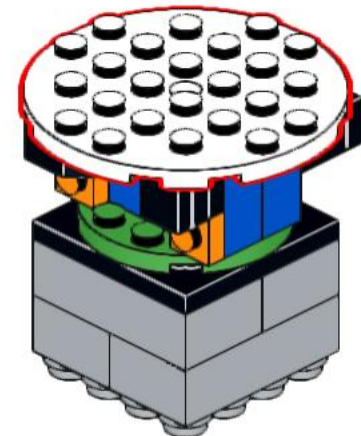
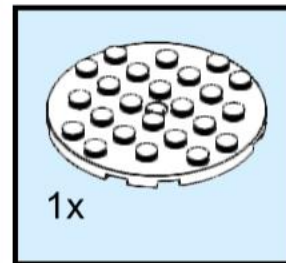
14



15

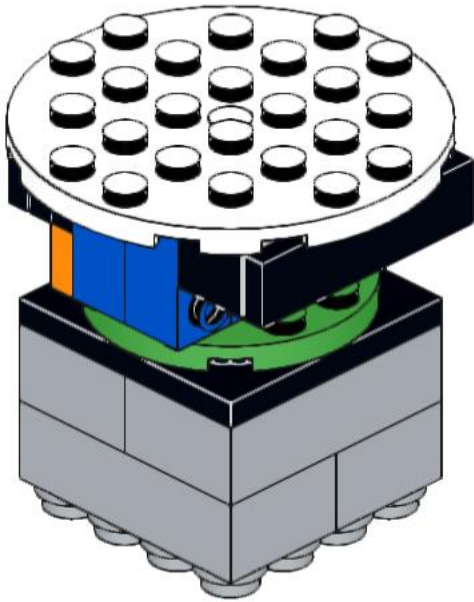


16

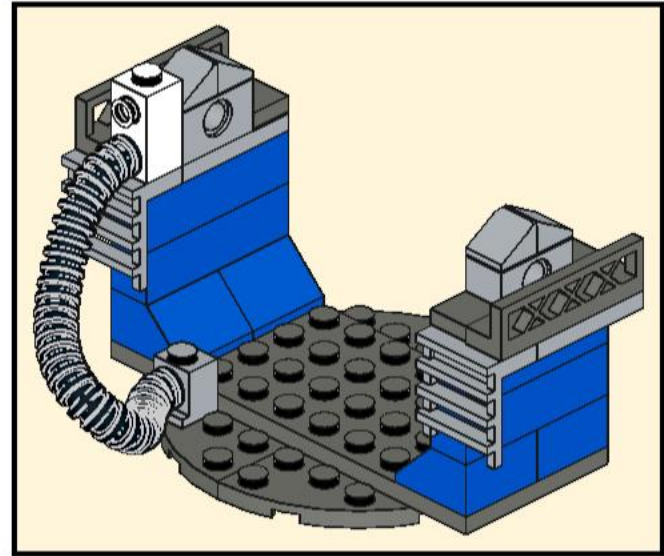


Telescope Mount

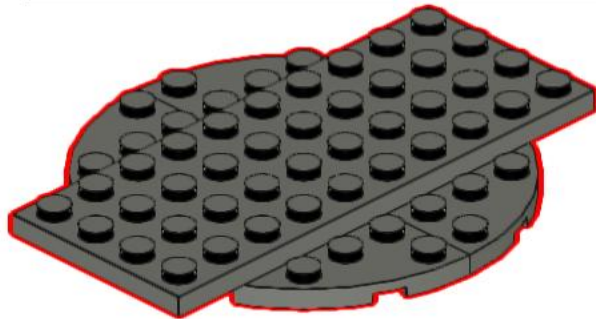
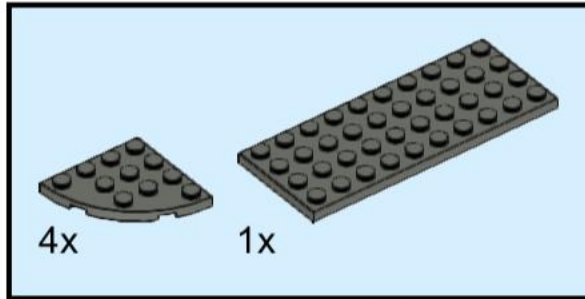
17



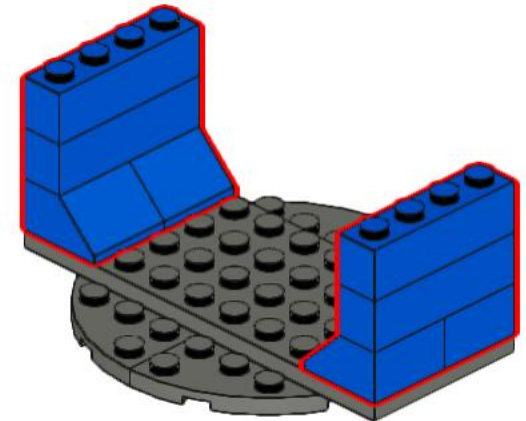
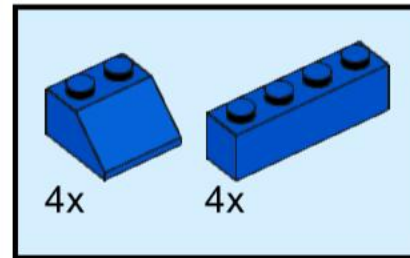
18



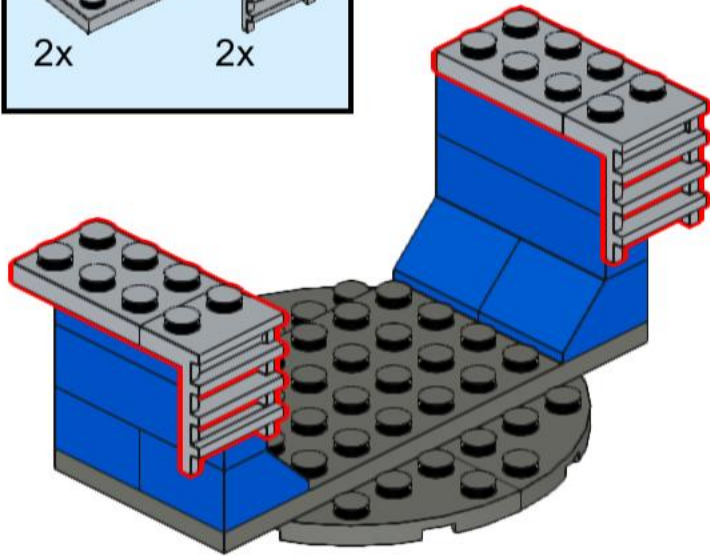
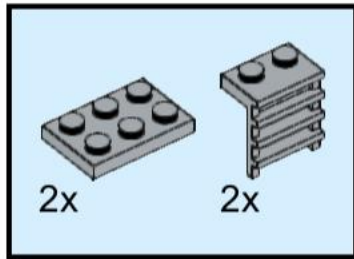
19



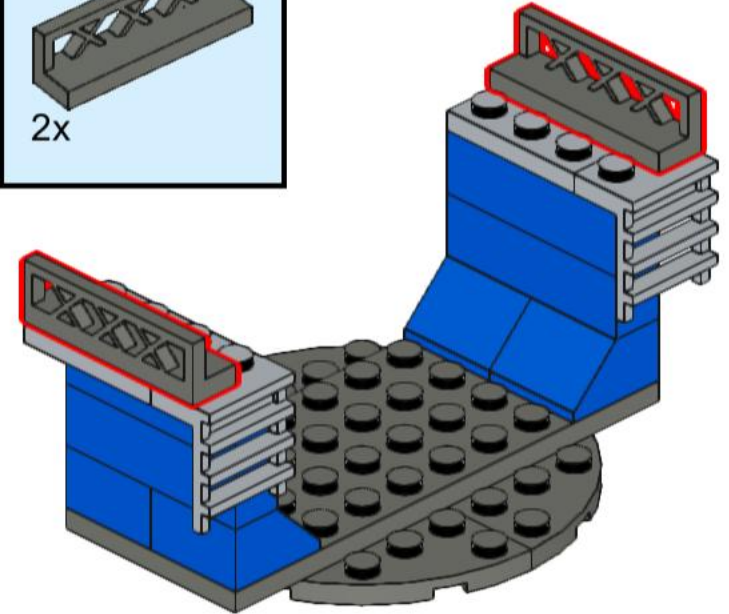
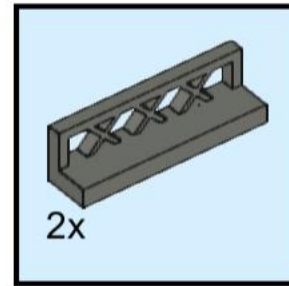
20



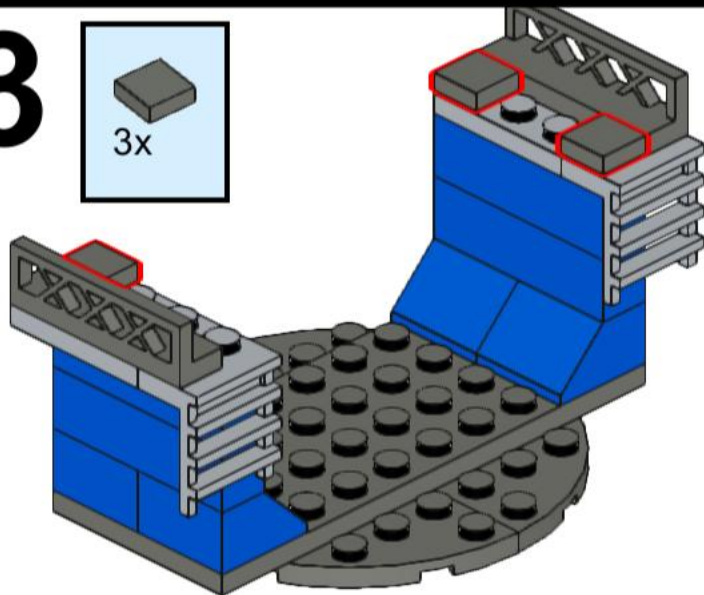
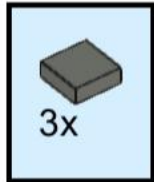
21



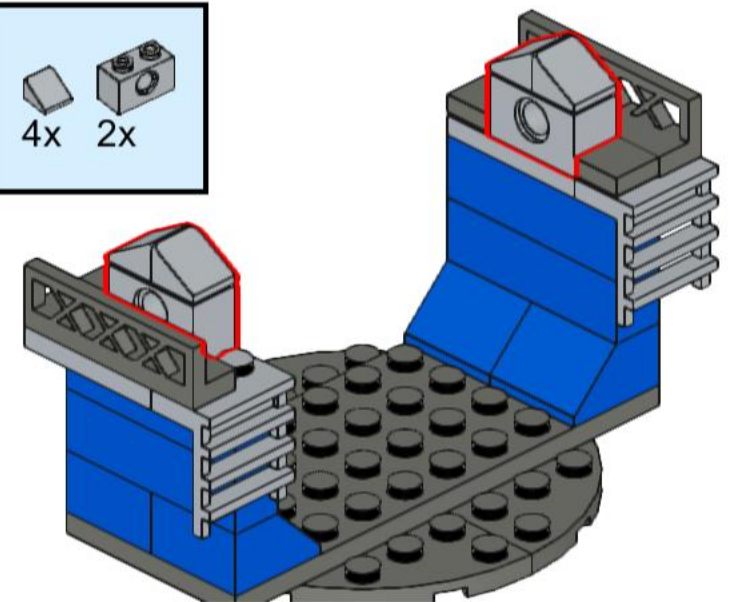
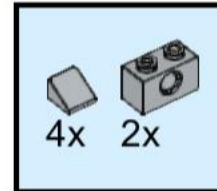
22



23

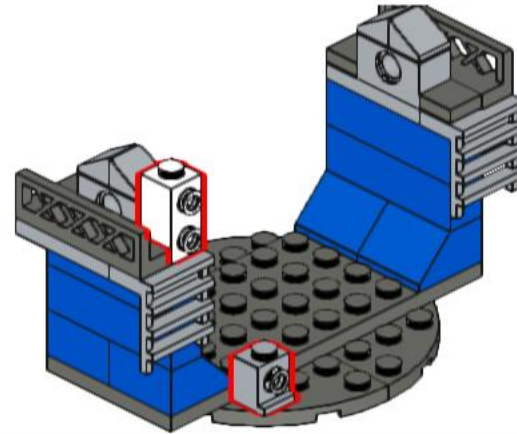
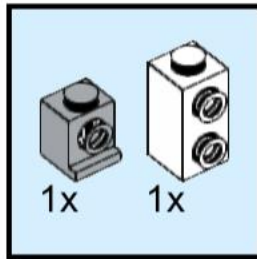


24

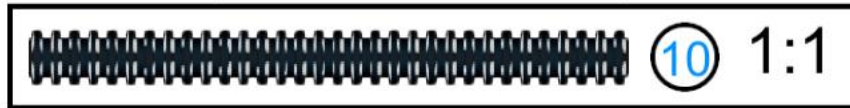
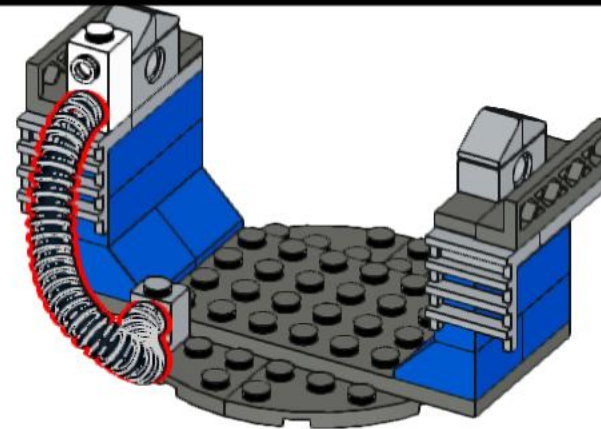
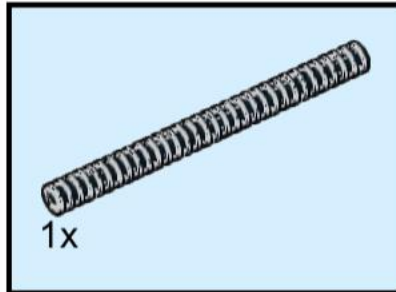


Telescope Mount

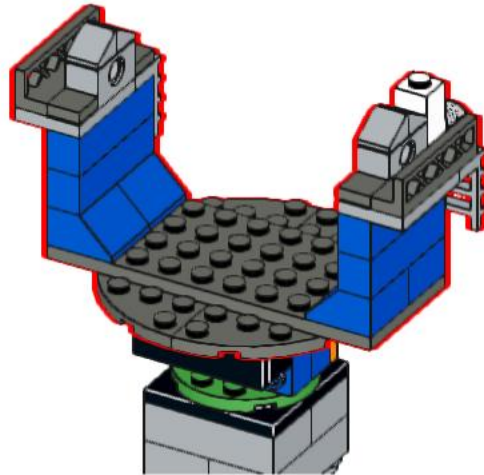
25



26



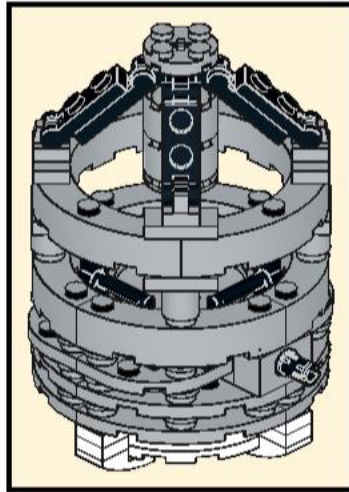
27



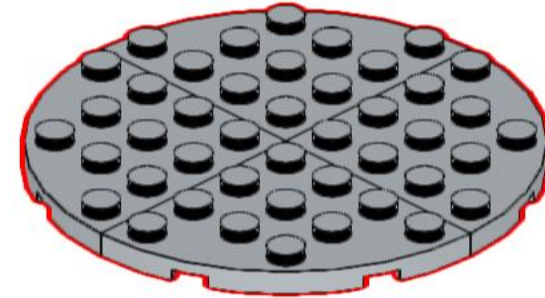
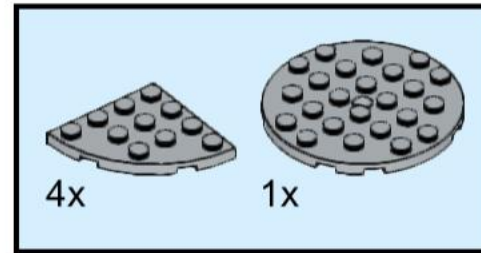
Telescope mount is centred on telescope column

Telescope Mirrors and Mirror Structures

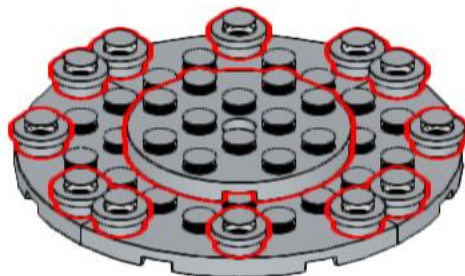
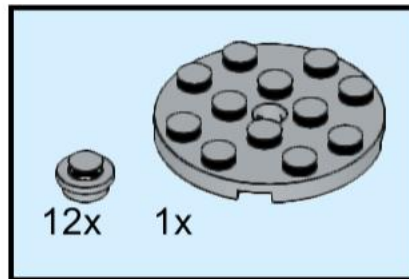
28



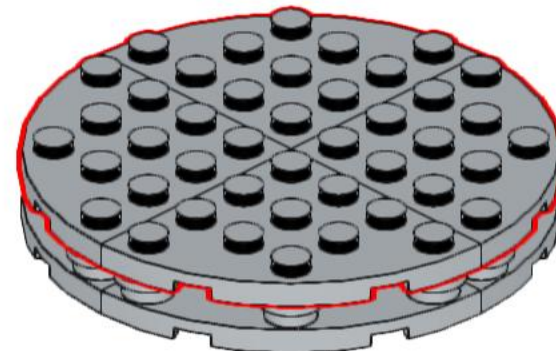
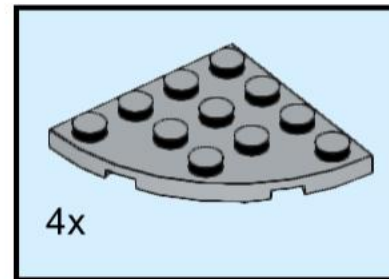
29



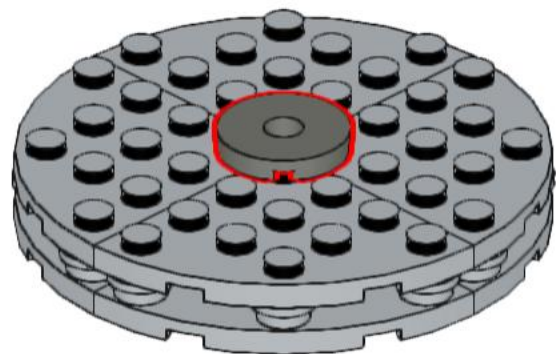
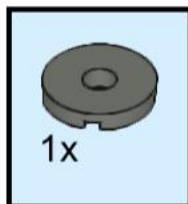
30



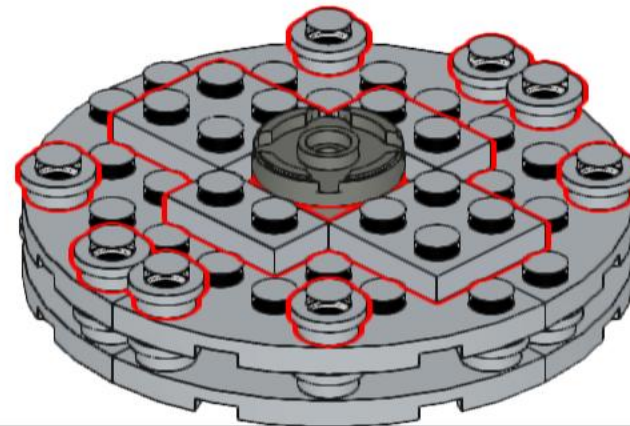
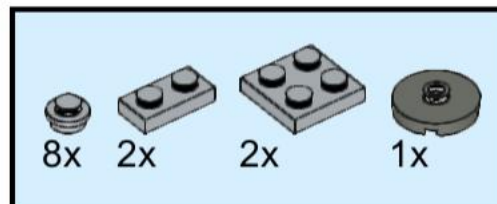
31



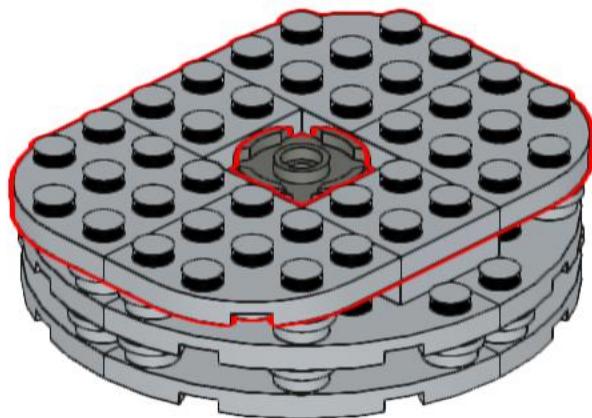
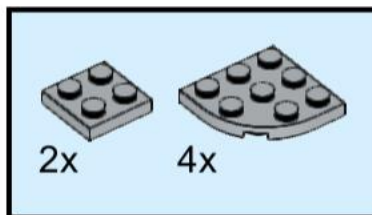
32



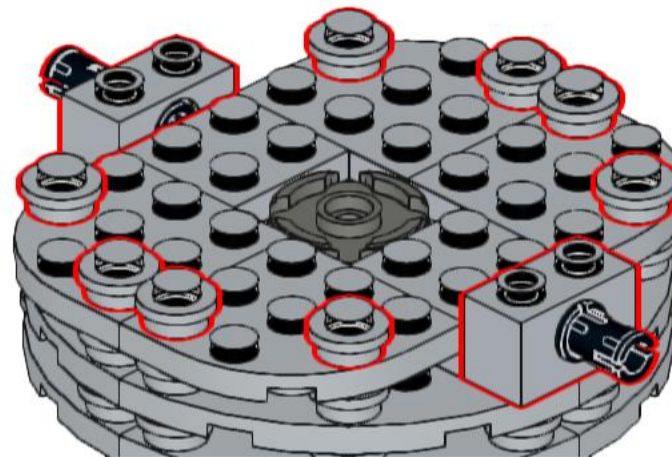
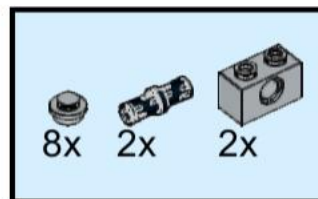
33



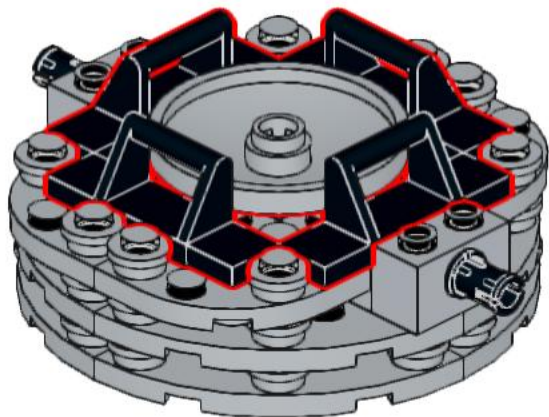
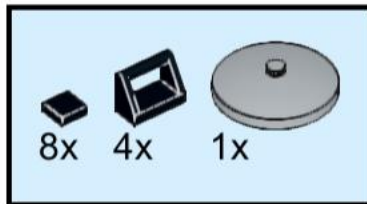
34



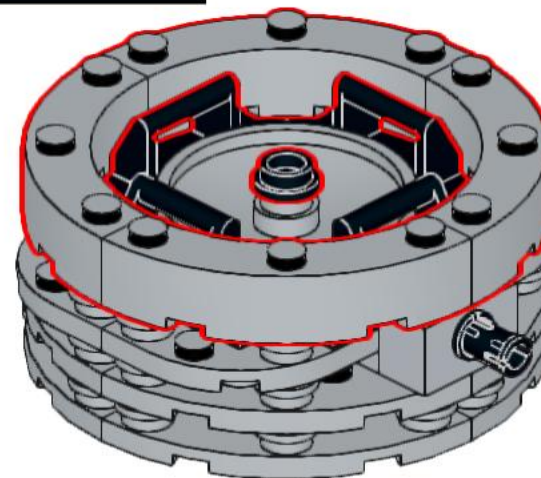
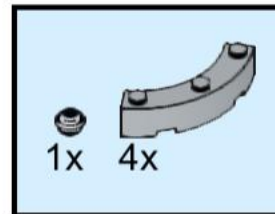
35



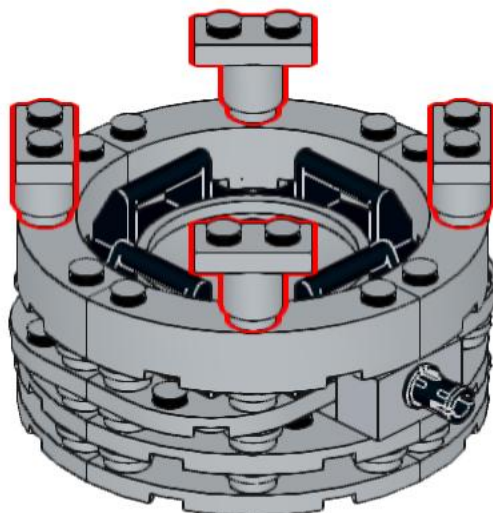
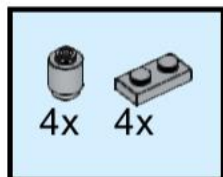
36



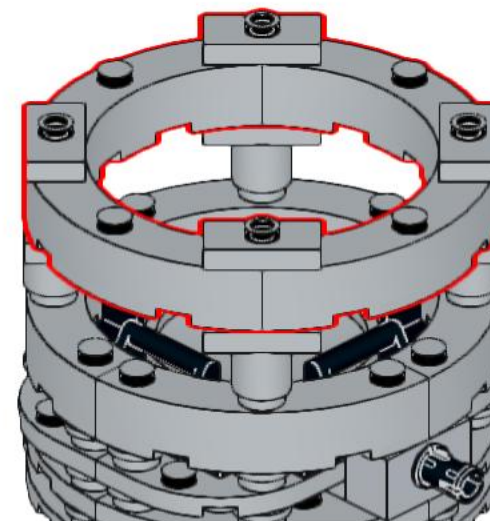
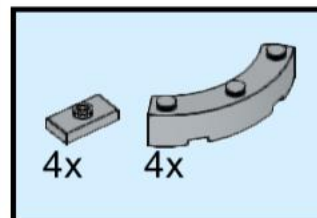
37



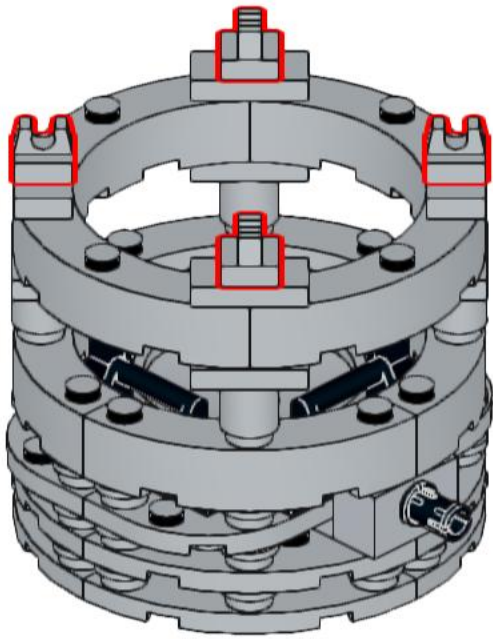
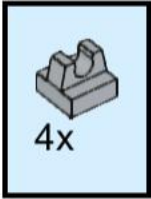
38



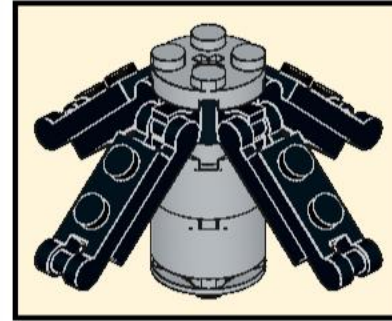
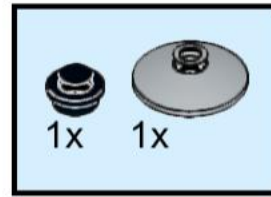
39



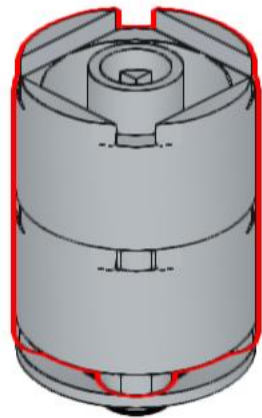
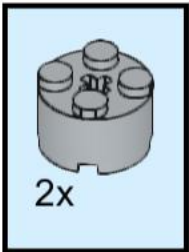
40



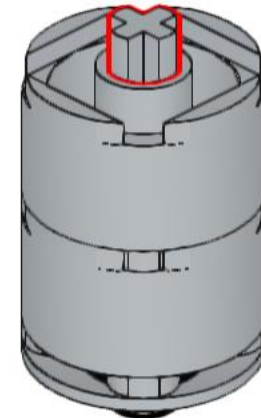
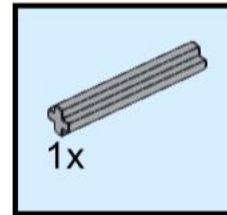
41



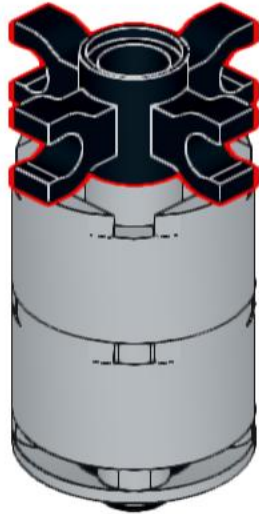
42



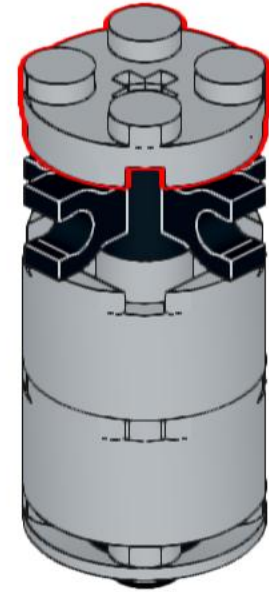
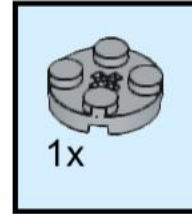
43



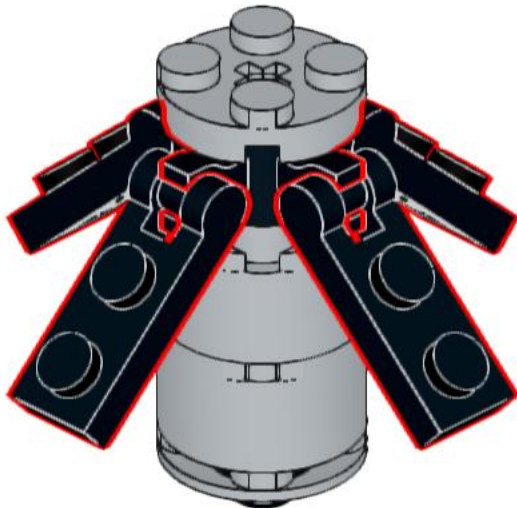
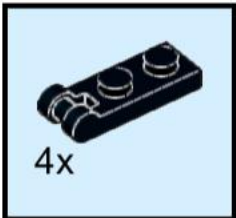
44



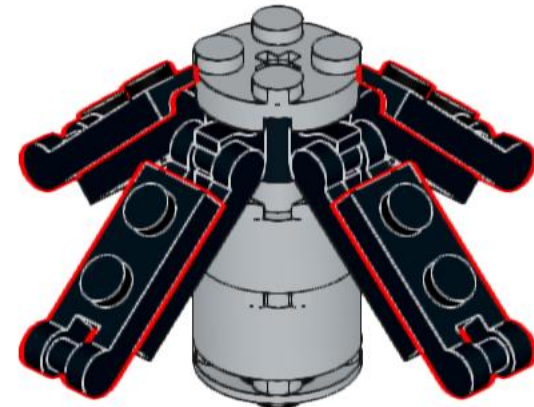
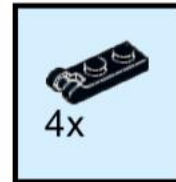
45



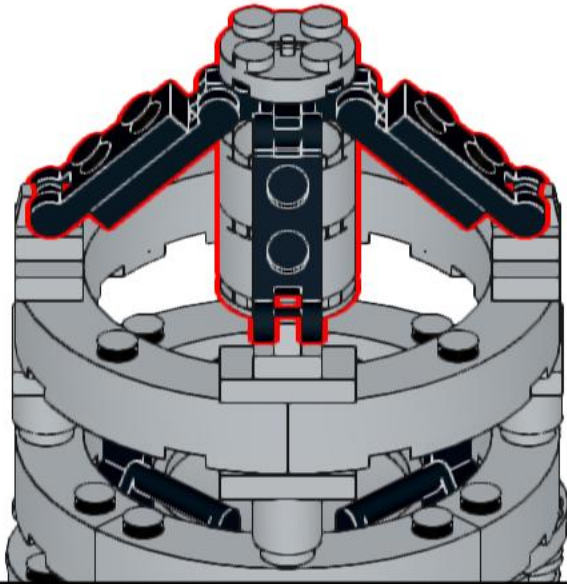
46



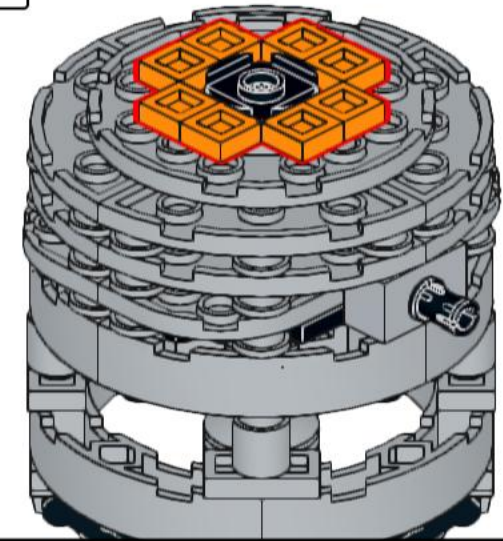
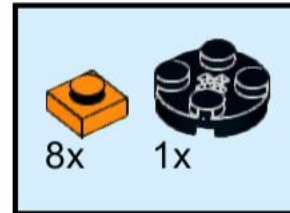
47



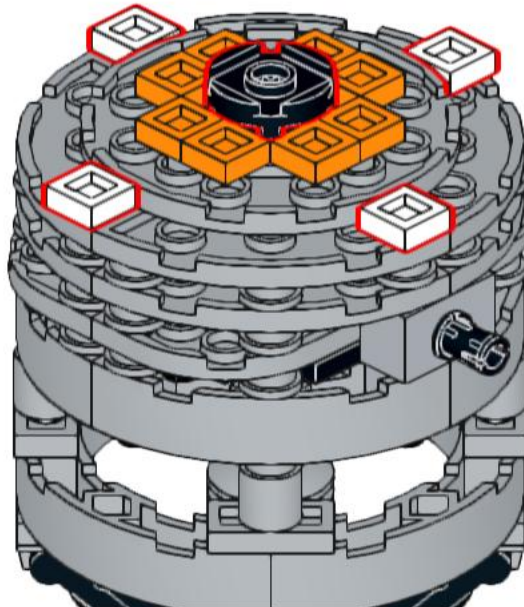
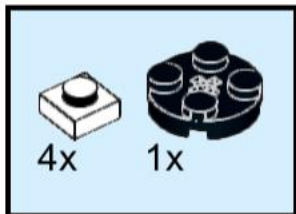
48



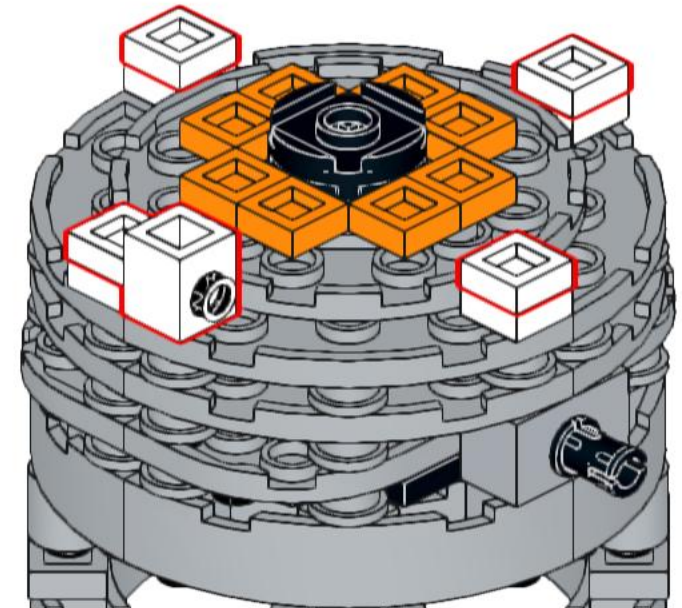
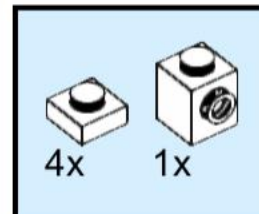
49



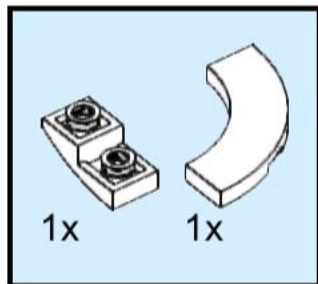
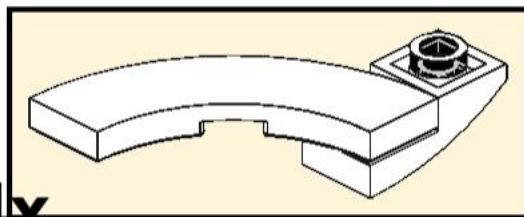
50



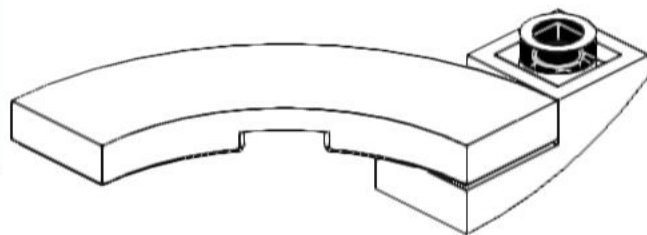
51



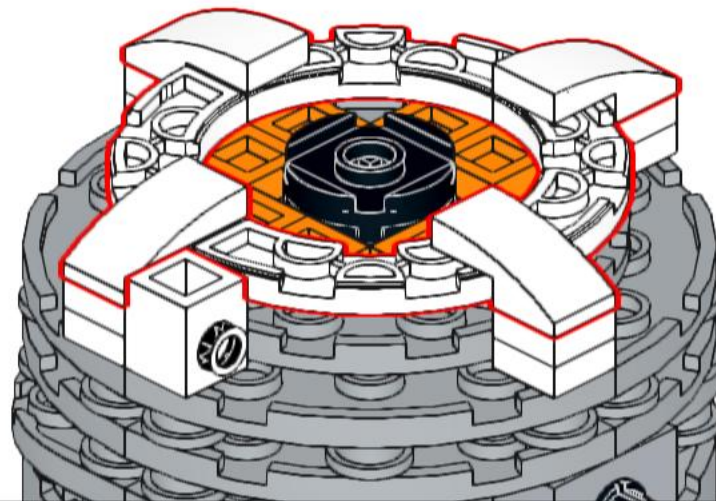
52



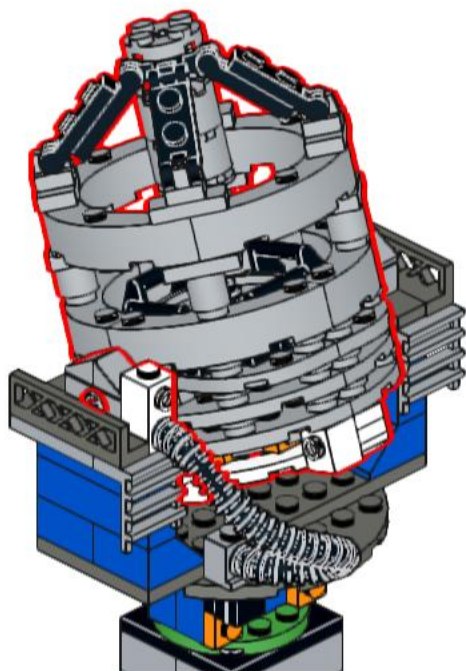
4x



53



54



55

